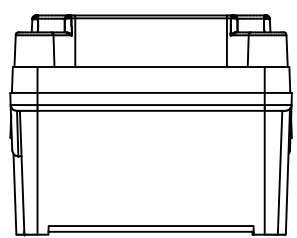
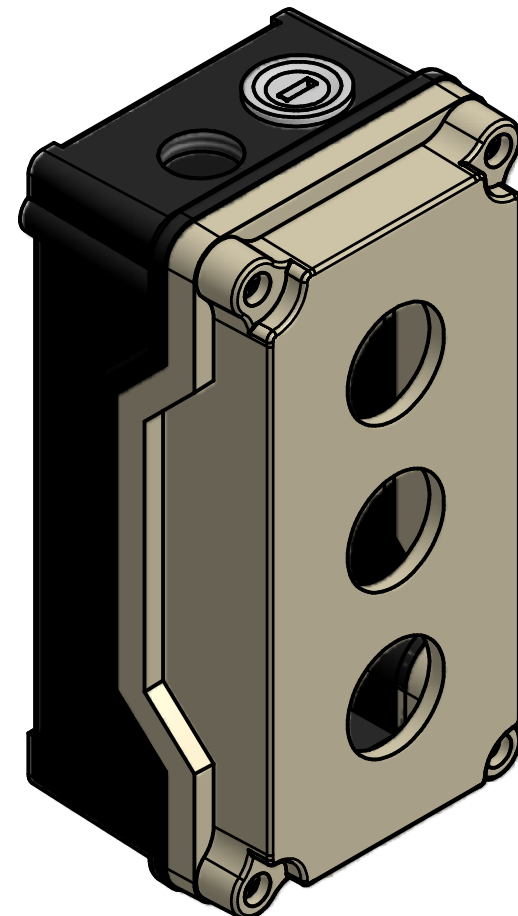
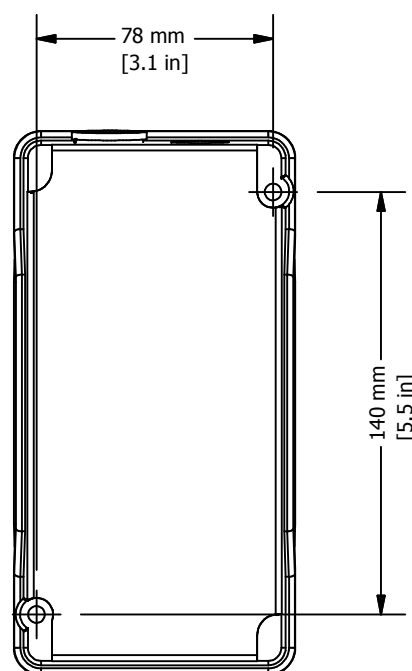
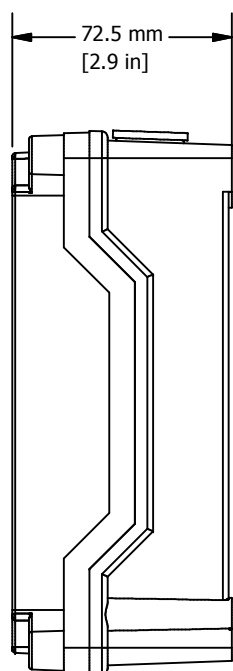
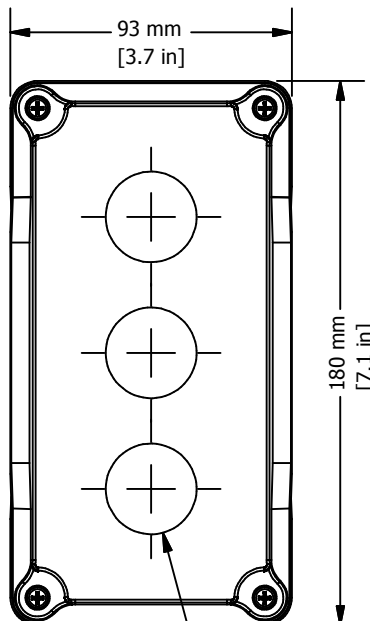
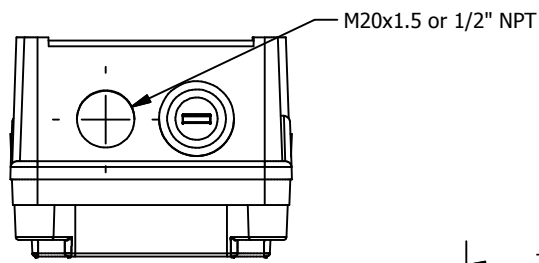


REVISION FOR DWG # 1PB-1005E13

REV	CH.NO.	DESCRIPTION	DATE	REVISED BY
-	-	ORIGINAL DESIGN	11/6/2007	PHILIPP E.



2 contact blocks can be used with an illuminated operator. 4 contact blocks can be used with any non-illuminated operator.

UNLESS OTHERWISE SPECIFIED:
 • ALL DIMENSIONS ARE IN MILLIMETERS
 • THIRD ANGLE PROJECTION

TOLERANCE		
XX	=	±1 mm
XX.X	=	±0.5 mm
XX.XX	=	±0.2 mm
ALL	=	- mm

This Drawing is the property of

35 Royal Road
 Flemington, NJ 08822-6000
 (908) 806-9400
 Fax (908) 806-9490

AND IS A CONFIDENTIAL DISCLOSURE LENT WITHOUT CONSIDERATION OTHER THAN THE BORROWER'S AGREEMENT THAT IT SHALL NOT BE REPRODUCED, COPIED, LENT OR DISPOSED OF DIRECTLY OR INDIRECTLY NOR USED FOR ANY PURPOSE OTHER THAN THAT FOR WHICH IT IS SPECIFICALLY FURNISHED.

TITEL 30 mm Aluminum Gravity Die Cast Enclosure 1005E13 (cable entry thread size: 2xM20) and 1007E13(cable entry thread size: 2x1/2"-14 NPT)			
DRAWN BY: Philipp Ernstberger	11/6/2007	DRAWING NO.:	REV.:
CHECKED BY: Laszlo Gyorgypal	11/6/2007	1PB-1005E13	-
RELEASED BY: Laszlo Gyorgypal	11/6/2007	SCALE: -	SHEET: 1 OF: 1