

**PLEASE CHECK WWW.MOLEX.COM FOR LATEST PART INFORMATION**

**Part Number:** [0192150049](#)  
**Status:** **Active**  
**Description:** VersaKrimp™ Parallel Splice for 3/0 AWG Wire

**Documents:**

[Drawing \(PDF\)](#) [RoHS Certificate of Compliance \(PDF\)](#)

**General**

|                         |                       |
|-------------------------|-----------------------|
| Product Family          | Splices               |
| Series                  | <a href="#">19215</a> |
| Crimp Quality Equipment | Yes                   |
| Mil-Spec                | N/A                   |
| Product Name            | Parallel, VersaKrimp™ |

**Physical**

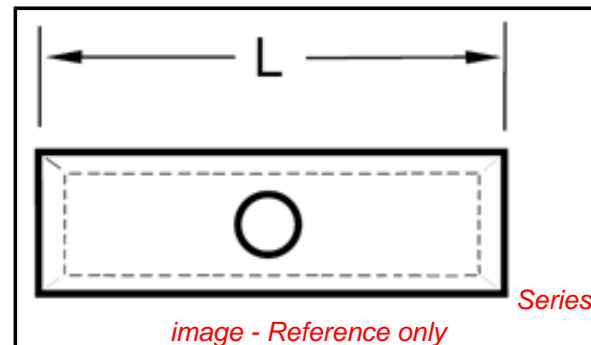
|                |                 |
|----------------|-----------------|
| Barrel Type    | Closed - Brazed |
| Insulation     | None            |
| Packaging Type | Bag             |
| Wire Size AWG  | 3/0             |

**Material Info**

|                 |       |
|-----------------|-------|
| Old Part Number | K-394 |
|-----------------|-------|

**Reference - Drawing Numbers**

|               |              |
|---------------|--------------|
| Sales Drawing | SD-19205-007 |
|---------------|--------------|



**EU RoHS**

**ELV and RoHS  
Compliant**

**REACH SVHC**

Not Reviewed

**Halogen-Free**

**Status**

**Not Reviewed**

**China RoHS**



**Need more information on product  
environmental compliance?**

Email [productcompliance@molex.com](mailto:productcompliance@molex.com)  
 For a multiple part number RoHS Certificate of  
 Compliance, [click here](#)

Please visit the [Contact Us](#) section for any  
 non-product compliance questions.

**Search Parts in this Series**

[19215Series](#)

**Application Tooling | FAQ**

*Tooling specifications and manuals are  
 found by selecting the products below.  
 Crimp Height Specifications are then  
 contained in the Application Tooling  
 Specification document.*

**Global**

| Description  | Product #                  |
|--|----------------------------|
| Die Set (large) for<br>the HHLS Hydraulic<br>Crimper                     | <a href="#">0192900028</a> |
| Manual tool for<br>Crimping non-<br>insulated 8AWG thru<br>4/0 Terminals | <a href="#">0192940008</a> |

19205

| 6            | 5        | 4         | 3          | 2          |                         |
|--------------|----------|-----------|------------|------------|-------------------------|
| MATERIAL NO. | ENG. NO. | WIRE SIZE | I.D. MIN.  | O.D. MAX.  | "L" (E)                 |
| 192070001    | AS-302   | 22-18     | .060/1.50  | .130/3.30  | .305/.325 (7.75/8.26)   |
| 192050001    | BS-304   | 16-14     | .091/2.30  | .160/4.10  | .295/.315 (7.50/8.00)   |
| 192050003    | CS-303   | 12-10     | .130/3.30  | .225/5.70  | .295/.315 (7.50/8.00)   |
| 192050004    | D-355    | 8         | .165/4.20  | .295/7.50  | .360/.390 (9.14/9.91)   |
| 192050006    | E-361    | 6         | .230/5.80  | .374/9.50  | .430/.460 (10.92/11.68) |
| 192050007    | F-365    | 4         | .277/7.00  | .457/11.60 | .500/.530 (12.70/13.46) |
| 192050008    | G-373    | 2         | .357/9.00  | .538/13.70 | .635/.665 (16.13/16.89) |
| 192050009    | H-384    | 1/0       | .439/11.20 | .620/15.70 | .735/.765 (18.67/19.43) |
| 192050010    | J-389    | 2/0       | .496/12.60 | .697/17.70 | .725/.755 (18.42/19.18) |
| 192150049    | K-394    | 3/0       | .545/13.80 | .760/19.30 | .735/.765 (18.67/19.43) |
| 192150050    | L-379    | 4/0       | .621/15.80 | .860/21.80 | .760/.790 (19.30/20.07) |

D

D

C

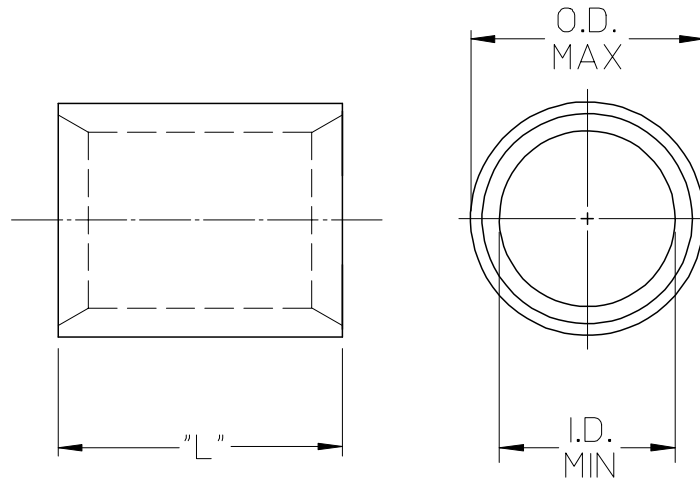
C

B

B

NOTE(S):

1. MATERIAL: COPPER
2. PLATING: ELECTRO-TIN



SALES DRAWING

A

A

|  |                 |                                       |  |           |   |                        |  |  |  |
|--|-----------------|---------------------------------------|--|-----------|---|------------------------|--|--|--|
| REV'D "L" DIM<br>EC NO: ETC2008-0020<br>DRWN:RSTONE 2007/08/17<br>CHKD:JMACNEIL 2007/08/20<br>APPR:JMACNEIL 2007/08/20 | QUALITY SYMBOLS | GENERAL TOLERANCES (UNLESS SPECIFIED) |  | SCALE 2:1 | DESIGN UNITS INCH   | THIRD ANGLE PROJECTION | REVISE ON CAD ONLY   |  |  |
|  |                 | 4 PLACES ± --- ± ---                  | DIMENSION STYLE IN/MM                                |           | DRAWN BY DATE   |                        | TITLE<br>VERSAKRIMP SEAMLESS PARALLEL CONNECTORS                       |  |  |
|  |                 | 3 PLACES ± --- ± ---                  | DRAWN BY DATE  |           | HEB 03/07/08  |                        |  |  |  |
|  |                 | 2 PLACES ± --- ± ---                  | DRAFT WHERE APPLICABLE MUST REMAIN WITHIN DIMENSIONS |           | CHECKED BY DATE   |                        | MATERIAL NO. DOCUMENT NO. SHEET NO.<br>(SEE CHART) SD-19205-007 1 OF 1 |  |  |
| 1 PLACE ± --- ± ---  | ANGULAR ±1/2°   |                                       | APPROVED BY DATE                                     |           | MOLEX INCORPORATED<br>THIS DRAWING CONTAINS INFORMATION THAT IS PROPRIETARY TO MOLEX INCORPORATED AND SHOULD NOT BE USED WITHOUT WRITTEN PERMISSION |                        |  |  |  |