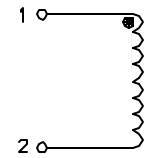


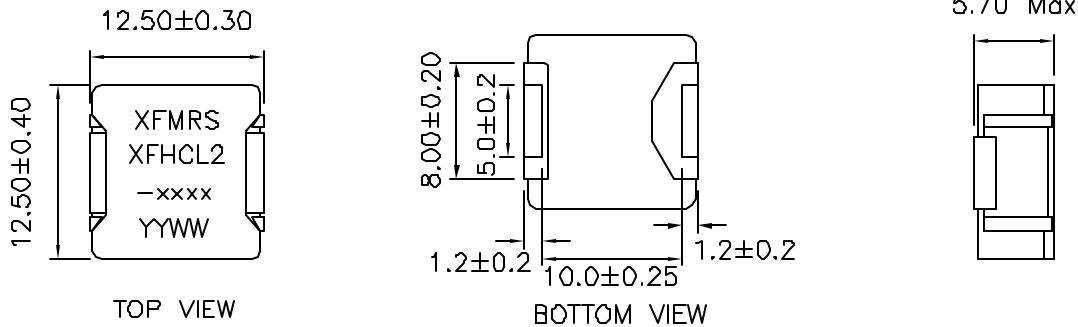
XFHCL2 SERIES INDUCTORS

- * Suited for IR Reflow Solder
- * Frequency Range DC to 1MHz
- * Compact Footprint for High Density
- * Ideal for Energy Storage Applications
- * Custom Designs Available Upon Request
- * Flamability Rating: UL94V-0
- * Tape & Reel Packaging Standard,
500 Pcs per 13"Reel

Schematic:



Mechanical Dimensions:



Part Number	Series	Inductance		Saturation Current		Heat Rating Current $\Delta T=40K(^{\circ}C)$	DC Resistance
		Initial (L0) at 25°C	At flat point (L1) at 25°C	At 25°C	At 100°C	1,(A)	At 25°C
		L0(μH)	L1(μH)	I sat (A) min.	I sat (A) min.	Reference Only	DCR(mOhm)max.
XFHCL2-1R2H	HL	2.3±30%	1.2±30%	14.3	11.7	14.2	2.24
XFHCL2-2R0H		3.5±30%	2.0±30%	10.7	8.7	12.5	3.30
XFHCL2-3R2H		4.8±25%	3.2±25%	8.6	7.1	10.8	4.92
XFHCL2-4R6H		6.6±25%	4.6±25%	7.3	6.0	9.3	6.48
XFHCL2-6R4H		8.3±25%	6.4±25%	6.2	5.2	7.9	8.64
XFHCL2-8R2H		10.4±25%	8.2±25%	5.6	4.7	7.2	10.9
XFHCL2-102H		12.5±25%	10.2±25%	4.7	4.0	6.5	13.3
XFHCL2-1R0S	SP	1.9±30%	1.0±30%	19.4	15.4	14.2	2.24
XFHCL2-1R6S		2.8±30%	1.6±30%	14.9	12.2	12.5	3.30
XFHCL2-2R5S		3.6±30%	2.5±30%	11.3	9.3	10.8	4.92
XFHCL2-0R8L	LB	1.8±30%	0.8±30%	25.2	20.0	14.2	2.24
XFHCL2-1R3L		2.5±30%	1.3±30%	18.6	15.8	12.5	3.30
XFHCL2-2R0L		3.1±30%	2.0±30%	15.1	12.1	10.8	4.92
XFHCL2-2R9L		4.1±30%	2.9±30%	12.0	10.0	9.3	6.48

- 1) Measured frequency of inductance is 100KHz and level is 0.25V.
- 2) Saturation current (I sat) is the current value that inductance (L1) decreases to 80% of initial value.
- 3) Heat rating current (LO) is the actual value of the current at which the temperature rise of coil becomes 40°C when DC current flows.
To actually determine the heat rating, the temperature rise within the set shall be considered.