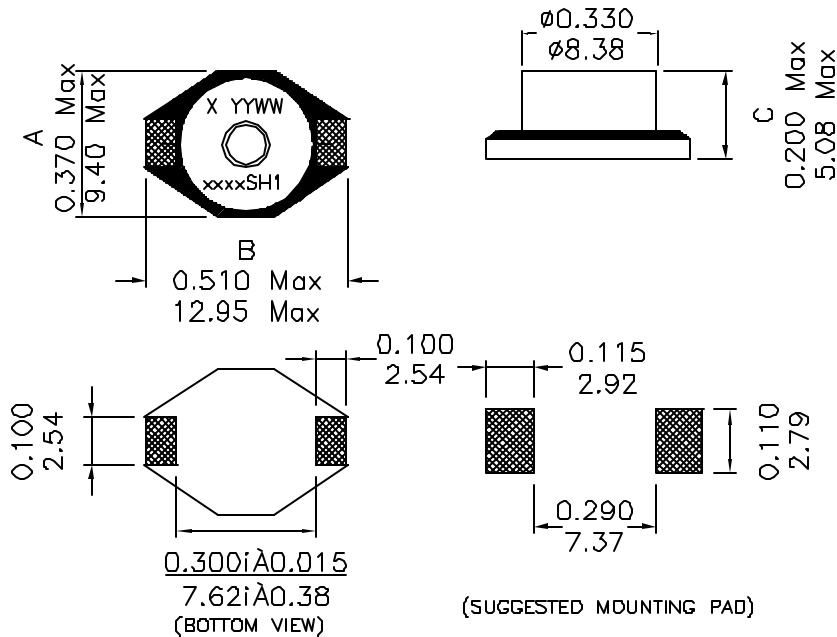
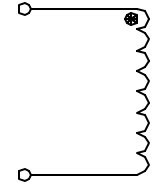


XFxxxxSH1 SERIES SHIELDED INDUCTORS

Mechanical Dimensions:



Sechematic:



TOLERANCES:
 .xxx ± 0.010 Inch
 .xx ± 0.25 mm
 Dimensions in Inch/mm

Part Number	Inductance ⁽¹⁾ uH ($\pm 20\%$)	DCR Max (Ohms)	SRF Typ (MHz)	Inductance ⁽²⁾ (uH) Typ	Current Rating (A)	Max Switching Frequency	Marking
XF0016SH1	1.0	0.025	60	0.50	5.0	1 MHz	0016SH1
XF0157SH1	1.5	0.030	55	0.70	5.0	1 MHz	0157SH1
XF0227SH1	2.2	0.035	55	1.0	5.0	1 MHz	0227SH1
XF0337SH1	3.3	0.040	50	1.5	5.0	1 MHz	0337SH1
XF0477SH1	4.7	0.045	45	2.0	3.0	1 MHz	0477SH1
XF0687SH1	6.8	0.050	40	4.0	2.5	1 MHz	0687SH1
XF0106SH1	10	0.055	35	5.0	2.0	1 MHz	0106SH1
XF0156SH1	15	0.060	25	6.0	1.8	1 MHz	0156SH1
XF0226SH1	22	0.084	22	10.0	1.5	1 MHz	0226SH1
XF0336SH1	33	0.090	18	12.0	1.3	1 MHz	0336SH1
XF0476SH1	47	0.11	16	27.0	1.0	1 MHz	0476SH1
XF0686SH1	68	0.15	12	40.0	0.90	1 MHz	0686SH1
XF1006SH1	100	0.29	9	50.0	0.80	1 MHz	1006SH1
XF1506SH1	150	0.36	8	80.0	0.60	500 KHz	1506SH1
XF2206SH1	220	0.39	6	90.0	0.50	500 KHz	2206SH1
XF3306SH1	330	0.73	5	150	0.40	500 KHz	3306SH1
XF4706SH1	470	0.88	4	200	0.35	500 KHz	4706SH1
XF6806SH1	680	1.15	3	300	0.30	500 KHz	6806SH1
XF0013SH1	1000	1.45	2.5	420	0.25	500 KHz	0013SH1

(1) Open Circuit Inductance Test Parameter @100KHz 0.25Vrms 0.0Adc

(2) Inductance Test Parameter @100KHz 0.25Vrms with IDC

(3) Operating temperature range -40°C to $+85^{\circ}\text{C}$

(4) Electrical specifications at 25°C

(5) Tape & reel Packaging Standard, 650 Pcs per 13"Reel