

# DI-8B35 Linearized 4-Wire RTD Input Modules

## FEATURES

- Interfaces to 100Ω Platinum RTDs
- Linearizes RTD Signal
- High Level Voltage Outputs
- 1500Vrms Transformer Isolation
- ANSI/IEEE C37.90.1 Transient Protection
- Input Protected to 240VAC Continuous
- 120dB CMR
- 70dB NMR at 60Hz
- Low Drift with Ambient Temperature
- CSA, FM and CE Certifications Pending
- Mix and Match Module Types

## DESCRIPTION

DI-8B modules are an optimal solution for monitoring real-world process signals and providing high level signals to a data acquisition system. Each DI-8B35 module isolates, filters, amplifies, and linearizes a single channel of temperature input from an RTD and provides an analog voltage output.

RTD excitation is provided from the module using a precision current source. Excitation current does not flow in the input signal leads, which allows RTD measurements to be made independent of lead resistance. The excitation currents are small (0.25mA) which minimizes self-heating of the RTD.

Signal filtering is accomplished with a three-pole filter optimized for time and frequency response which provides 70dB of normal-mode-rejection at 60Hz. One pole of this filter is on the field side of the isolation barrier for anti-aliasing, and the other two are on the system side.

A special input circuit on the DI-8B35 module provides protection against accidental connection of power-line voltages up to 240VAC. Clamp circuits on the I/O and power terminals protect against harmful transients.

The modules are designed for installation in Class I, Division 2 hazardous locations and have a high level of immunity to environmental noise.

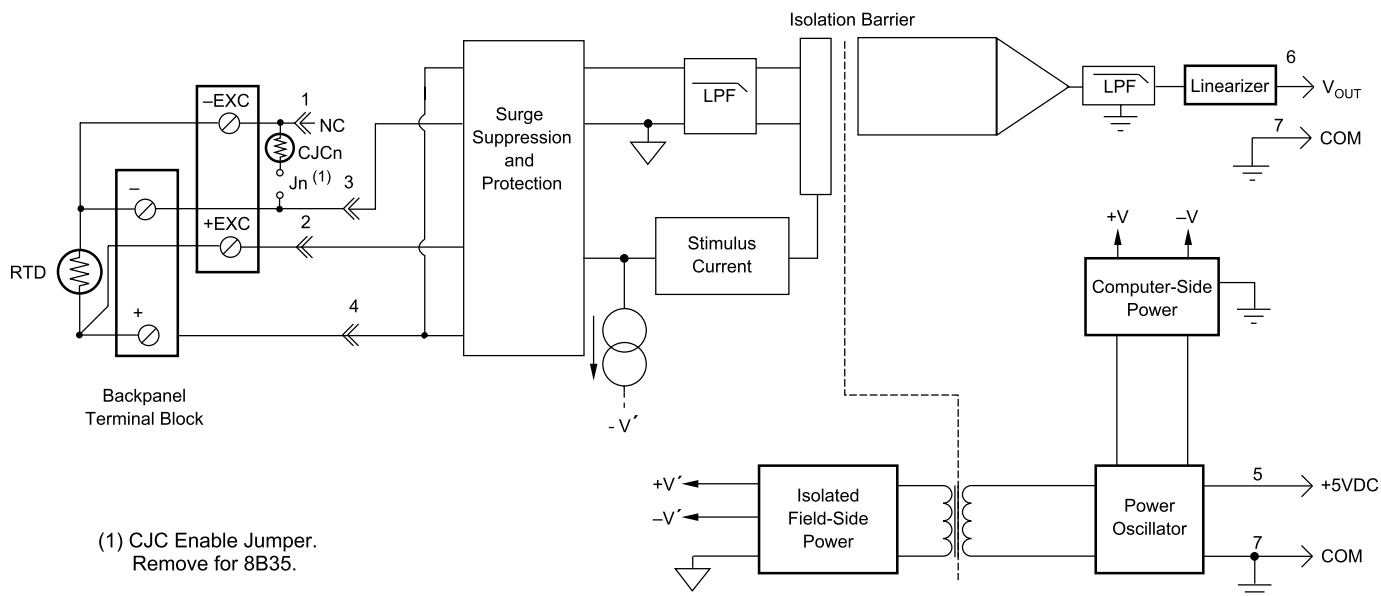
## SPECIFICATIONS

Typical at T<sub>A</sub> = +25°C and +5V Power

		DI-8B35
Input Range Limits		-200°C to +850°C (100Ω Pt)
Input Resistance	Normal	50MΩ
	Power Off	200kΩ
	Overload	200kΩ
Input Protection	Continuous <sup>1</sup>	240VAC
	Transient	ANSI/IEEE C37.90.1
Sensor Excitation Current		0.25mA
Lead Resistance Effect		±0.001°C/Ω <sup>2</sup>
CMV, Input to Output		1500Vrms max
Transient, Input to Output		ANSI/IEEE C37.90.1
CMR (50Hz or 60Hz)		120dB
NMR		70dB at 60Hz
Accuracy <sup>3</sup>	DI-8B35-01	±0.20°C
	DI-8B35-02	±0.15°C
	DI-8B35-03	±0.20°C
	DI-8B35-04	±0.45°C
Stability	Output Offset	±20ppm/°C
	Gain	±50ppm/°C
Noise	Output, 100kHz	250μVrms
Bandwidth, -3dB		3Hz
Response Time, 90% Span		150ms
Output Range		0 to +5V
Output Protection	Continuous	Short to Ground
	Transient	ANSI/IEEE C37.90.1
Power Supply Voltage		+5VDC ±5%
Power Supply Current		30mA
Power Supply Sensitivity		±25ppm/%
Mechanical Dimensions		1.11" × 1.65" × 0.40" (28.1mm × 41.9mm × 10.2mm)
Environmental	Operating Temperature	-40°C to +85°C
	Storage Temperature	-40°C to +85°C
	Relative Humidity	0 to 95% Noncondensing
<sup>1</sup> 240VAC between + and - -/+EXC/-EXC terminals. 120VAC between - and +EXC/-EXC terminals and between +EXC and -EXC terminals.		
<sup>2</sup> Ω refers to the resistance in one lead.		
<sup>3</sup> Includes conformity, hysteresis and repeatability.		

# DI-8B35 4-Wire RTD Input Module

## Block Diagram



## Ordering Information

Model Number	Input Range	Accuracy*
DI-8B35-01	-100°C to +100°C (-148°F to +212°F)	±0.20°C
DI-8B35-02	0°C to +100°C (+32°F to +212°F)	±0.15°C
DI-8B35-03	0°C to +200°C (+32°F to +392°F)	±0.20°C
DI-8B35-04	0°C to +600°C (+32°F to +1112°F)	±0.45°C

\*Includes conformity, hysteresis, and repeatability.



241 Springside Drive  
Akron, Ohio 44333  
330-668-1444

### Data Acquisition Product Links

(click on text to jump to page)

[Data Acquisition](#) | [Data Logger](#) | [Chart Recorder](#) | [Thermocouple](#) | [Oscilloscope](#)

The information on this data sheet is subject to change without notice.

DATAQ and the DATAQ logo are registered trademarks of DATAQ Instruments, Inc. All rights reserved. Copyright © 2005 DATAQ Instruments, Inc.