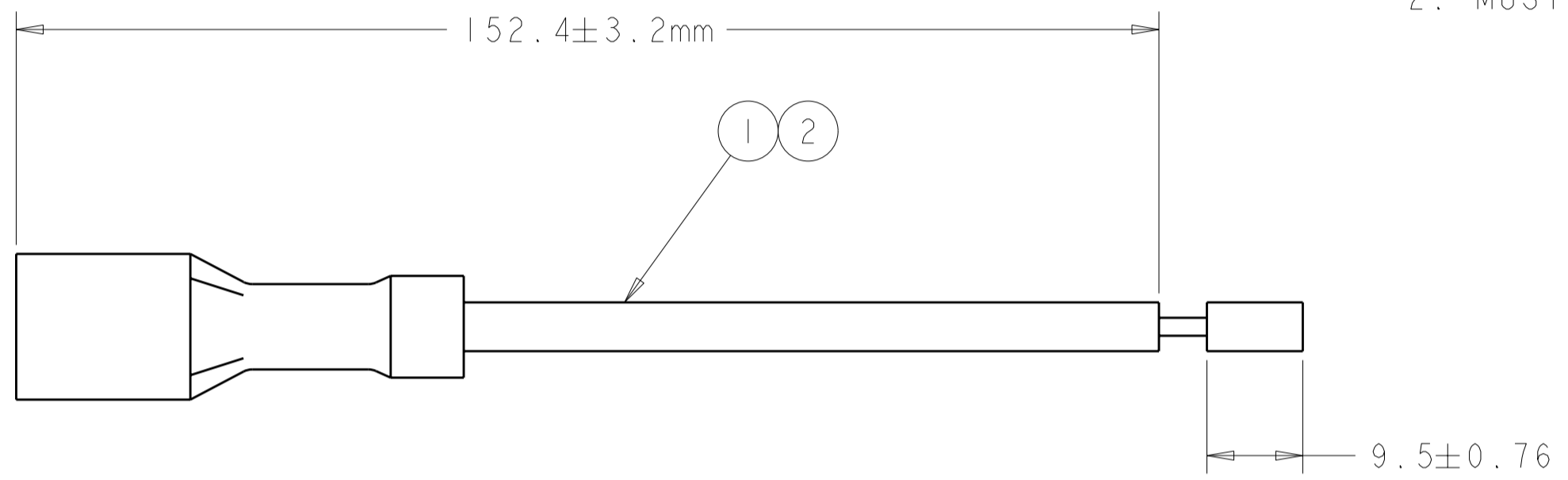
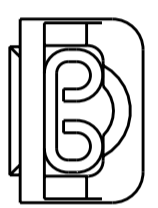


THIS DRAWING IS UNPUBLISHED. RELEASED FOR PUBLICATION 20
 © COPYRIGHT 20 BY TYCO ELECTRONICS CORPORATION. ALL RIGHTS RESERVED.

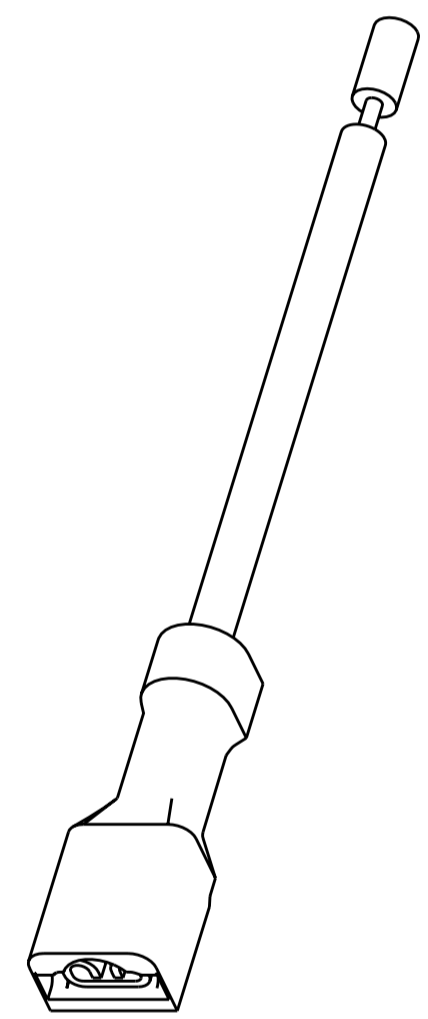
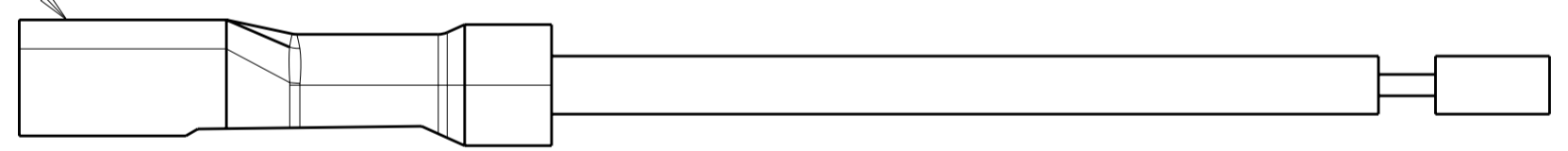
LOC		DIST		REVISIONS			
P	LTR	DESCRIPTION	DATE	DWN	APVD		
-	-	A	REVISD PER ECR-09-012288	08JUN2009	HMR	DD	

NOTES:

- 1 MATERIALS AND FINISH:
 - HOUSING: NYLON 66, COLOR: RED
 - CONTACT: COPPER ALLOY, FINISH: Sn OVER Ni
- 2. MUST COMPLY WITH DIRECTIVE 2002/95/EC (ROHS)



1 POS CONNECTOR



SCALE 3:1

RED	2058102-2
BLACK	2058102-1
WIRE COLOR	PART NO.

<small>THIS DRAWING IS A CONTROLLED DOCUMENT FOR TYCO ELECTRONICS CORPORATION. IT IS SUBJECT TO CHANGE AND THE CONTROLLING ENGINEERING ORGANIZATION SHOULD BE CONTACTED FOR THE LATEST REVISION.</small>		DWN S. FISHER 03MAR2008 CHK C. GINGRICH 03MAR2008 APVD -	Tyco Electronics Harrisburg, PA 17105-3608
DIMENSIONS: mm 	TOLERANCES UNLESS OTHERWISE SPECIFIED: 0 PLC ± 1 PLC ±0.5 2 PLC ±0.13 3 PLC ± 4 PLC ± ANGLES ± FINISH	PRODUCT SPEC - APPLICATION SPEC - WEIGHT -	NAME ASSEMBLY ULTRA FAST-ON, 18 AWG SIZE A200779 CAGE CODE C-2058102 DRAWING NO 2058102 RESTRICTED TO -
MATERIAL 		CUSTOMER DRAWING	SCALE 4:1 SHEET 1 OF 1 REV A