

PLEASE CHECK WWW.MOLEX.COM FOR LATEST PART INFORMATION

Part Number: **0190020038**
Status: **Active**
Description: Avikrimp™ Fully Insulated Quick Disconnect, Female, for 14-16 AWG Wire, Mylar Tape

Documents:

[Drawing \(PDF\)](#) [RoHS Certificate of Compliance \(PDF\)](#)

Agency Certification

| | |
|-----|-----------|
| CSA | LR18689 |
| TUV | R72090224 |
| UL | E79133 |

General

| | |
|-------------------------|-------------------|
| Product Family | Quick Disconnects |
| Series | <u>19002</u> |
| Crimp Quality Equipment | Yes |
| Product Name | Avikrimp™ |
| Type | Quick Disconnect |

Physical

| | |
|-------------------------------|-----------------------|
| Barrel Type | Closed |
| Flammability | 94V-2 |
| Gender | Female |
| Glow-Wire Compliant | No |
| Insulation | Nylon (PA) |
| Lock to Mating Part | None |
| Material - Metal | Brass |
| Orientation | Straight |
| Packaging Type | Adhesive Tape on Reel |
| Polarized to Mating Part | No |
| Tab Thickness | 0.81mm (.032") |
| Tab Width | 2.79mm (.110") |
| Temperature Range - Operating | -65°C to +105°C |
| Wire Insulation Diameter | 3.94mm (.155") max. |
| Wire Size AWG | 14, 16 |
| Wire Size mm ² | 1.30 - 2.00 |

Electrical

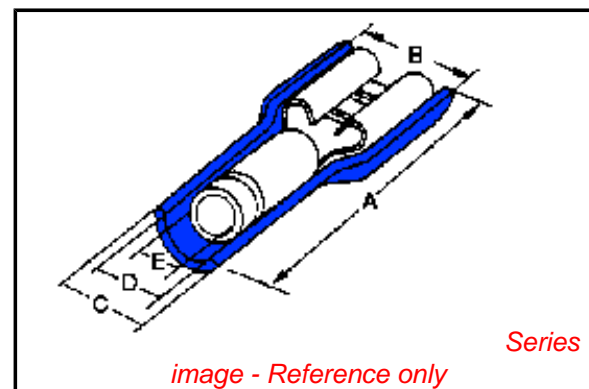
| | |
|-------------------|------|
| Voltage - Maximum | 300V |
|-------------------|------|

Material Info

| | |
|-----------------|----------|
| Old Part Number | BB-5281T |
|-----------------|----------|

Reference - Drawing Numbers

| | |
|---------------|--------------|
| Sales Drawing | SD-19002-004 |
|---------------|--------------|



EU RoHS

ELV and RoHS Compliant
REACH SVHC
 Not Reviewed
Halogen-Free Status
 Not Reviewed

China RoHS



Need more information on product environmental compliance?

Email productcompliance@molex.com
 For a multiple part number RoHS Certificate of Compliance, [click here](#)

Please visit the [Contact Us](#) section for any non-product compliance questions.

Search Parts in this Series

19002Series

Application Tooling | [FAQ](#)

Tooling specifications and manuals are found by selecting the products below. Crimp Height Specifications are then contained in the Application Tooling Specification document.

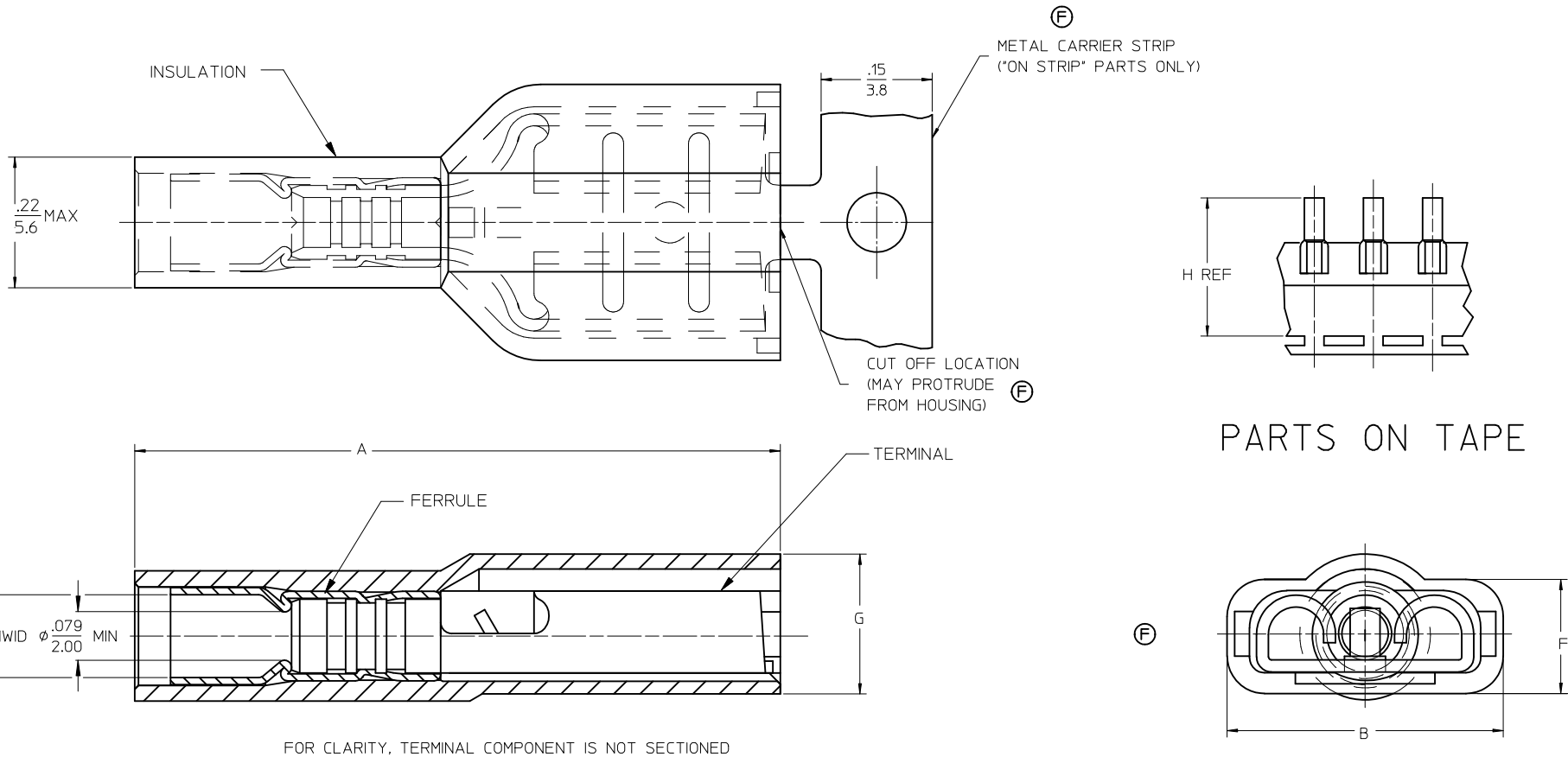
Global

| Description | Product # |
|---|-------------------|
| Crimp Dies for MTA-100 Tape Applicator used in 3BF Press, MTA-105 Tape Applicator used in TM-2000™ Press, and ATP-301 Air Crimping Press for Mylar Tape Mounted Terminals | <u>0192880140</u> |
| Mini-Mac™ Applicator | <u>0638851800</u> |

This document was generated on 04/13/2010

PLEASE CHECK WWW.MOLEX.COM FOR LATEST PART INFORMATION

| 13 | 12 | 11 | 10 | 9 | 8 | 7 | 6 | 5 | 4 | 3 | 2 | 1 | | |
|---------------------------|------------------------------|--------------------------|-----------------------------|-------------------------|----------------------------|-------------------------------|----------------------------------|-----------------------|-----------------|----------|---------|---------|---------|-------------|
| MATERIAL NUMBER LOOSE PCS | ENGINEERING NUMBER LOOSE PCS | MATERIAL NUMBER ON STRIP | ENGINEERING NUMBER ON STRIP | MATERIAL NUMBER ON TAPE | ENGINEERING NUMBER ON TAPE | MATERIAL NUMBER REVERSE WOUND | ENGINEERING NUMBER REVERSE WOUND | ACCEPTS TAB SIZE | STOCK THICKNESS | "A" MAX | "B" MAX | "F" REF | "G" MAX | "H" REF |
| 190020024 | BB-5263 | 190020027 | BB-5263Z | 190020025 | BB-5263T | 190020026 | BB-5263TR | .250x.032 (6.35x0.81) | .016/0.41 | .89/22.6 | .38/9.7 | .16/4.1 | .20/5.1 | 1.425/36.20 |
| 190020040 | BB-5287 | 190020041 | BB-5287Z | 190020048 | BB-5287T | --- | --- | .205x.020 (5.21x0.51) | .016/0.41 | .80/20.3 | .32/8.1 | .16/4.1 | .22/5.6 | 1.415/35.94 |
| 190020042 | BB-5289 | 190020061 | BB-5289Z | 190020043 | BB-5289T | --- | --- | .205x.032 (5.21x0.81) | .016/0.41 | .80/20.3 | .32/8.1 | .16/4.1 | .22/5.6 | 1.415/35.94 |
| 190020028 | BB-5269 | 190020030 | BB-5269Z | 190020029 | BB-5269T | --- | --- | .187x.020 (4.75x0.51) | .016/0.41 | .80/20.3 | .32/8.1 | .16/4.1 | .22/5.6 | 1.415/35.94 |
| 190020031 | BB-5273 | 190020033 | BB-5273Z | 190020032 | BB-5273T | --- | --- | .187x.032 (4.75x0.81) | .016/0.41 | .80/20.3 | .32/8.1 | .16/4.1 | .22/5.6 | 1.415/35.94 |
| 190020034 | BB-5277 | 190020036 | BB-5277Z | 190020035 | BB-5277T | --- | --- | .110x.020 (2.79x0.51) | .012/0.31 | .80/20.3 | .23/5.8 | .13/3.3 | .22/5.6 | 1.395/35.43 |
| 190020037 | BB-5281 | 190020039 | BB-5281Z | 190020038 | BB-5281T | --- | --- | .110x.032 (2.79x0.81) | .012/0.31 | .80/20.3 | .23/5.8 | .13/3.3 | .22/5.6 | 1.395/35.43 |



SALES DRAWING

NOTES:

- MATERIAL: TERMINAL BRASS
 TERMINAL PLATING: ELECTRO TIN
 FERRULE: COPPER ALLOY
 FERRULE PLATING: ELECTRO TIN
 INSULATION: NYLON 94V2, COLOR BLUE.
- MWD = MAXIMUM WIRE INSULATION DIAMETER
- ASSEMBLY IS ROHS COMPLIANT.

| | | | | | | | | | |
|--|-------------------------------|---------------------------------------|--------|--|--------------------|--|----------------------|------------------------|--|
| FERRULE MAT'L DESC'R EC NO: MNA2009-0510 DRAWN:ETHRODAHL 2010/01/04 CHKD:JMACNEIL 2010/01/05 APPR:JMACNEIL 2010/01/05 | QUALITY SYMBOLS ▽=0 ▽=0 | GENERAL TOLERANCES (UNLESS SPECIFIED) | | DIMENSION STYLE IN/MM | | SCALE 1:1 | DESIGN UNITS INCH | THIRD ANGLE PROJECTION | |
| | | 4 PLACES ± --- | ± --- | DRAWN BY BENDERLE | DATE 2005/04/11 | TITLE AVIKRIMP FEMALE FIQD 16-14 AWG | | | |
| | | 3 PLACES ± --- | ± .005 | CHECKED BY R DEROSS | DATE 2005/04/11 | MATERIAL NO. SEE CHART | | | |
| | | 2 PLACES ± 0.13 | ± .01 | APPROVED BY R DEROSS | DATE 2005/04/11 | DOCUMENT NO. SD-19002-004 | | | |
| 1 PLACE ± 0.25 | ± --- | ANGULAR ± 1/2° | | MATERIAL NO. SEE CHART | | DOCUMENT NO. SD-19002-004 | | SHEET NO. 1 OF 1 | |
| DRAFT WHERE APPLICABLE MUST REMAIN WITHIN DIMENSIONS | | | | THIS DRAWING CONTAINS INFORMATION THAT IS PROPRIETARY TO MOLEX INCORPORATED AND SHOULD NOT BE USED WITHOUT WRITTEN PERMISSION | | | | | |