

# Customer Information Sheet

DRAWING No.: M80-889XXX SHEET 2 OF 2 IF IN DOUBT - ASK © NOT TO SCALE THIRD ANGLE PROJECTION ALL DIMENSIONS IN mm

COMMERCIAL  
ORDER CODE:  
**M80-889XXX**

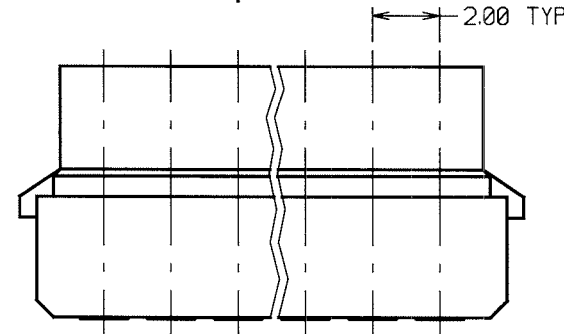
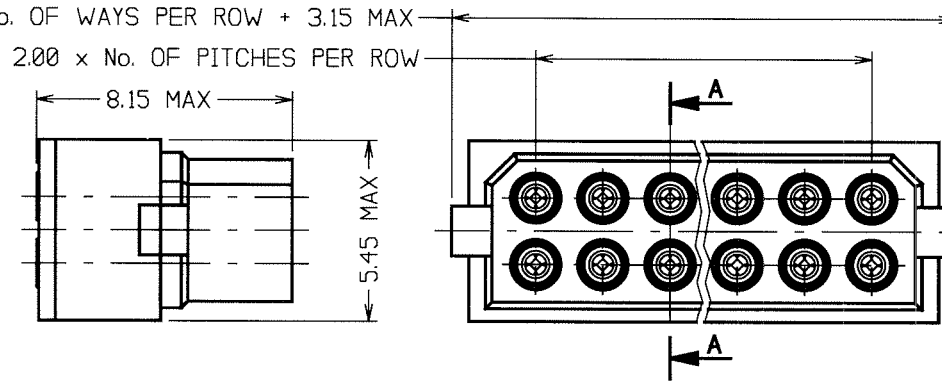
TOTAL No. OF WAYS  
04, 06, 08, 10, 12, 14, 16,  
18, 20, 26, 34

FINISH \_\_\_\_\_  
01 - GOLD CLIP, TIN SHELL  
05 - GOLD CLIP, GOLD SHELL  
T6 - TIN CLIP, TIN SHELL

BRITISH STANDARD  
ORDER CODE: TO BS9525 F0033  
**B5740-2XX-F-D-X**

TOTAL No. OF WAYS  
04, 06, 08, 10, 12, 14, 16,  
18, 20, 26, 34

FINISH \_\_\_\_\_  
0 - GOLD CLIP, TIN SHELL  
2 - GOLD CLIP, GOLD SHELL



**SPECIFICATIONS:**

MATERIAL:  
MOULDING - GLASS-FILLED  
POLYESTER UL94V-0

CLIP - BERYLLIUM COPPER  
SHELL - BRASS

FINISH:  
CONTACTS:  
01 - 0.30µ GOLD CLIP, 4.0µ TIN SHELL  
05 - 0.30µ GOLD CLIP, 0.28µ GOLD SHELL  
T6 - 1.3µ 90/10 TIN/LEAD CLIP,  
4.0µ TIN SHELL

MECHANICAL:  
DURABILITY - 500 OPERATIONS  
INSERTION FORCE - 2.8N MAX, 1.0N MIN  
WITHDRAWAL FORCE - 1.8N MAX, 0.2N MIN

PACKING:  
BAG (CONTACTS AND MOULDINGS UN-ASSEMBLED)  
FOR COMPLETE SPECIFICATION, SEE COMPONENT SPECIFICATION C005XX (LATEST ISSUE)

ELECTRICAL:  
CURRENT RATING AT 25°C - 3.0A MAX  
CURRENT RATING AT 85°C - 2.2A MAX  
WORKING VOLTAGE - 120V AC/DC  
VOLTAGE PROOF - 360V AC/DC  
CONTACT RESISTANCE (INITIAL) -  
20 MILLIOHMS MAX  
CONTACT RESISTANCE (AFTER  
CONDITIONING) - 25 MILLIOHMS MAX  
INSULATION RESISTANCE (INITIAL) -  
1000 MEGOHMS MIN  
INSULATION RESISTANCE (AFTER  
CONDITIONING) - 100 MEGOHMS MIN  
ENVIRONMENTAL:  
TEMPERATURE RANGE - -55°C TO +125°C

**NOTES:**

1. RECOMMENDED WIRE TYPE = BS3G210 TYPE A, PTFE INSULATED, 22 AWG. MAX INSULATION DIAMETER = Ø1.10mm, STRIP WIRE BY 2.00mm.
2. RECOMMENDED HAND CRIMP TOOL = M22520/2-01 WITH POSITIONER T5747. ALSO AVAILABLE: PNEUMATIC AND ELECTRICAL CRIMP MACHINES.
3. CONTACT INSERTION & EXTRACTION TOOL = Z80-280
4. REFER TO INSTRUCTION SHEET FOR HAND CRIMP TOOL M22520/2-01 FOR COMPLETE CRIMPING INSTRUCTIONS.

JMB	9	11.07.05	8619
NAME	ISS.	DATE	C/NOTE
APPROVED: <i>[Signature]</i>			
CHECKED: <i>[Signature]</i>			
DRAWN: W. J. BOURNE		CUSTOMER REF.:	
ASSEMBLY DRG:			

**HARWIN**

HARWIN USA TEL: 603 893 5376 FAX: 603 893 5396 mis@harwin.com	HARWIN Europe (UK) TEL: 023 9231 4545 FAX: 023 9231 4590 mis@harwin.co.uk	HARWIN Asia TEL: +65 6 779 4909 FAX: +65 6 779 3868 mis@harwin.com.sg
--	--	--

THIS DRAWING AND ANY INFORMATION OR DESCRIPTIVE MATTER SET OUT HEREON ARE CONFIDENTIAL AND COPYRIGHT PROPERTY OF THE HARWIN GROUP AND MUST NOT BE DISCLOSED, LOANED, COPIED OR USED FOR MANUFACTURING, TENDERING OR FOR ANY OTHER PURPOSE WITHOUT THEIR WRITTEN PERMISSION.

TOLERANCES  
X. - ±1mm  
X.X - ±0.25mm  
X.XX - ±0.10mm  
X.XXX - ±0.01mm  
ANGLES - ±5°  
UNLESS STATED

MATERIAL: SEE ABOVE

FINISH: SEE ABOVE

S/AREA: mm<sup>2</sup>

TITLE: DATAMATE 2mm PITCH CRIMP DIL SOCKET ASSEMBLY LARGE BORE (22 AWG)

DRAWING NUMBER: **M80-889XXX**

SHT 2 OF 2