

PLEASE CHECK WWW.MOLEX.COM FOR LATEST PART INFORMATION

Part Number: **0503728000**
Status: **Active**
Description: 2.00mm (.079") Pitch Crimp Terminal 50372, Female, 22-26 AWG, Reel

Documents:

Drawing (PDF)	Product Specification PS-52968-006 (PDF)
Product Specification PS-51089-001 (PDF)	Product Specification PS-52968-007 (PDF)
Product Specification PS-51089-005 (PDF)	Product Specification PS-53717-002 (PDF)
Product Specification PS-51090-004 (PDF)	Product Specification PS-54111-001 (PDF)
Product Specification PS-51090-005 (PDF)	Product Specification PS-54111-002 (PDF)
Product Specification PS-51090-007 (PDF)	Product Specification PS-54214-001 (PDF)
Product Specification PS-51090-009 (PDF)	Product Specification PS-54452-006 (PDF)
Product Specification PS-51090-016 (PDF)	Product Specification PS-54452-007 (PDF)
Product Specification PS-51090-017 (PDF)	Product Specification PS-55533-003 (PDF)
Product Specification PS-51160-001 (PDF)	Product Specification PS-55533-004 (PDF)
Product Specification PS-51160-006 (PDF)	RoHS Certificate of Compliance (PDF)
Product Specification PS-51225-003 (PDF)	

General

Product Family	Crimp Terminals
Series	50372
Crimp Quality Equipment	Yes
Product Name	Mi II™

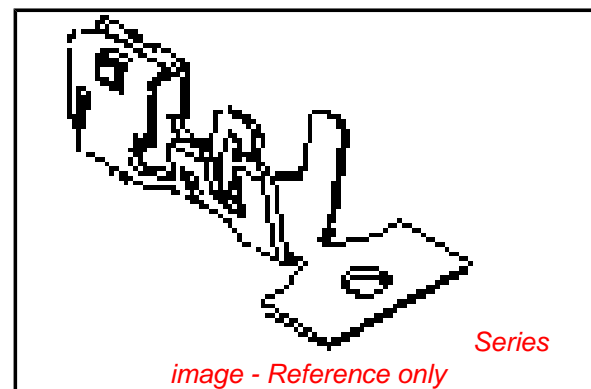
Physical

Gender	Female
Material - Metal	Phosphor Bronze
Material - Plating Mating	Tin
Material - Plating Termination	Tin
Packaging Type	Reel
Plating min: Mating (µin)	36
Plating min: Mating (µm)	0.90
Plating min: Termination (µin)	36
Plating min: Termination (µm)	0.90
Termination Interface: Style	Crimp or Compression
Wire Insulation Diameter	1.40mm (.055") max.
Wire Size AWG	22, 24, 26
Wire Size mm²	N/A

Material Info

Reference - Drawing Numbers

Product Specification	PS-51089-001, PS-51089-005, PS-51090-004, PS-51090-005, PS-51090-007, PS-51090-009, PS-51090-016, PS-51090-017, PS-51160-001, PS-51160-006, PS-51225-003, PS-52968-006, PS-52968-007, PS-53717-002, PS-54111-001, PS-54111-002, PS-54214-001, PS-54452-006, PS-54452-007, PS-55533-003, PS-55533-004, RPS-51089-002, RPS-51089-006, RPS-51090-001, RPS-51090-006, RPS-51090-008, RPS-51090-010, RPS-51090-012, RPS-51090-013, RPS-51090-014, RPS-51090-015, RPS-51090-017, RPS-51090-018, RPS-51090-021, RPS-51090-022, RPS-51090-026, RPS-51160-003, RPS-51160-005, RPS-51339-004, RPS-51339-007, RPS-52968-005, RPS-52968-012,
-----------------------	--



EU RoHS

ELV and RoHS Compliant
REACH SVHC
Contains SVHC: No
Halogen-Free Status

China RoHS



Halogen-Free

Need more information on product environmental compliance?

Email productcompliance@molex.com
 For a multiple part number RoHS Certificate of Compliance, [click here](#)

Please visit the [Contact Us](#) section for any non-product compliance questions.

Search Parts in this Series

50372Series

Use With

51090 , 51089

Application Tooling | FAQ

Tooling specifications and manuals are found by selecting the products below. Crimp Height Specifications are then contained in the Application Tooling Specification document.

Global

Description	Product #
Extraction Tool	0011030043
FineAdjust™ Applicator	0638628000

Japan

Description	Product #
Extraction Tool	0573216000
Applicator for M211A Bench Press, 22-30 AWG, for 50212	0571753000

Sales Drawing

RPS-52968-013, RPS-52969-004, RPS-52969-005,
RPS-52969-006, RPS-53324-001, RPS-54111-001,
RPS-54111-002, RPS-54111-004, RPS-54111-005,
RPS-54224-001, RPS-54269-004, RPS-54452-011,
RPS-87369-001
SD-50372-8*00

and 50372 Crimp
Terminal
Side-Feed Applicator 0571753200
For Full-Auto
Machine

This document was generated on 04/15/2010

PLEASE CHECK WWW.MOLEX.COM FOR LATEST PART INFORMATION

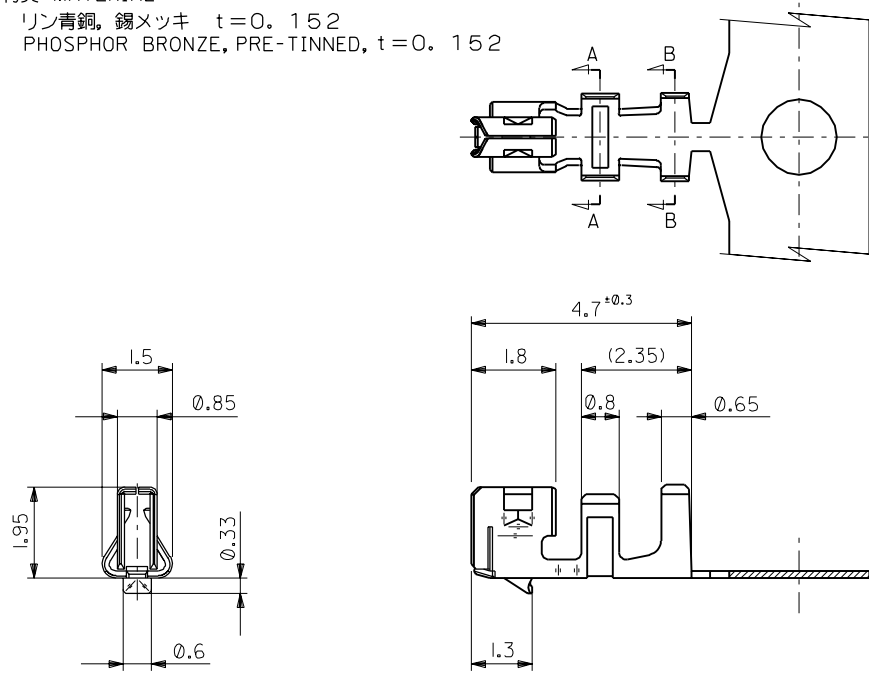
DWG. NO.
SD-50372-8*00

注記
NOTES

★ 1. 適用ハウジング : 51089-***05, 51090-***00
APPLICABLE HOUSING : 51089-***05, 51090-***00

2. 材質 MATERIAL

リン青銅, 錫メッキ t=0.152
PHOSPHOR BRONZE, PRE-TINNED, t=0.152



SECT. A-A

SECT. B-B

50372-8100	バラ状 LOOSE
50372-8000	連鎖状 CHAIN
ENG.NO.	端子形状 FORM

材料 MATERIAL 注記参照 SEE NOTES		molex MOLEX-JAPAN CO.,LTD. 日本モレックス株式会社	
仕上げ FINISH 注記参照 SEE NOTES		REVISE ONLY ON CAD SYSTEM	
適用電線範囲 WIRE RANGE AWG #22~#26		TITLE 名称 NEW 2.0 WIRE TO BOARD CONN. CRIMP RECEPTACLE	
被覆外径 INS. RANGE φ 1.4MAX.		DWG. NO. SD-50372-8*00	
DRAWN BY '92/9/3 M.FUJIKURA		CHK'D BY '92/9/4 M.FUJIKURA	
APP'D BY '92/9/4 M.FUJIKURA		尺度 SCALE 10:1	
角 度 ANGLE ±3°		DR. DATE	
30 以上 OVER ±0.3		DR. CHK. DATE	
10 以上 30 未満 OVER UNDER ±0.25		DR. CHK. DATE	
10 未満 UNDER ±0.2		DR. CHK. DATE	
一般公差 GENERAL TOLERANCES		記号 LTR	
新規作成 (J20801) RELEASED		変更内容 REVISION RECORD	
0		0	