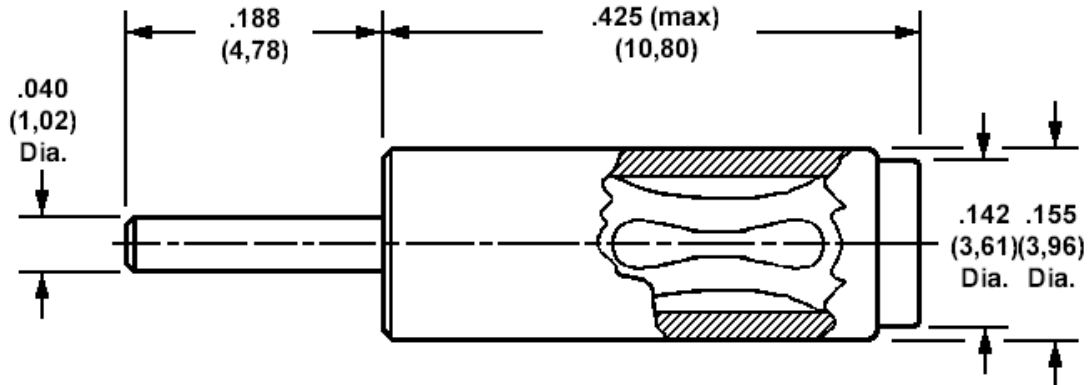


**450-3278 Converter socket, .080 (2,03) socket to .040 (1,02) pin****How to order code****450-3278-01-03-00**

Component	Material	Finish(-03)
Body	Brass	Gold over Nickel
Spring	Beryllium copper	Gold over Nickel