



P/N: 24HST1041AR-3 LF DATA SHEET

Feature



- Designed for long haul gigabit Ethernet 1000 BASE-T, full duplex applications.
- Supports 4 pairs of category UTP-5 cable.
- Cable interface for isolation and reject common mode emissions.
- Compliant with IEEE 802.3ab standard for 1000 BASE-T.
- Lead free for external pins.
- Operating temperature range: 0 to +70 .
- Storage temperature range: -25 to +125 .

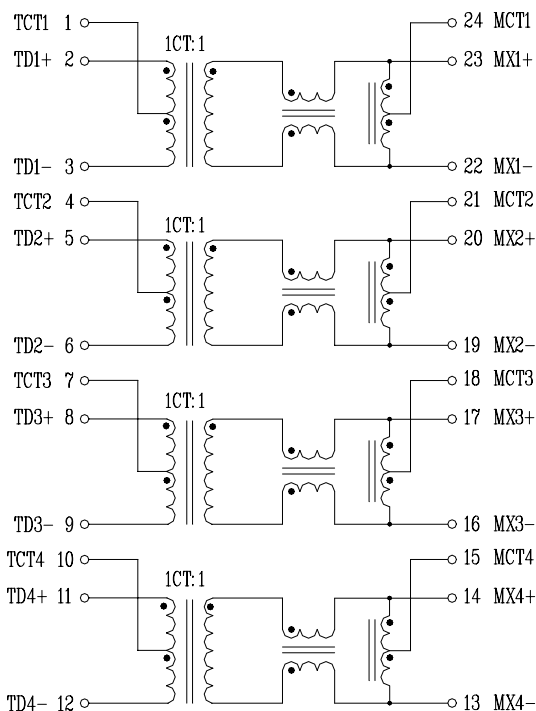
Electrical Specifications @ 25°C

Part Number	Turns Ratio (±5%)	OCL (uH Min) @ 100KHz/0.1V with 8mA DC Bias	Cross talk Attenuation (dB Min)			HI-POT (Vrms)
			30MHz	60MHz	100MHz	
24HST1041AR-3 LF	1CT:1	350	-45	-40	-35	1500

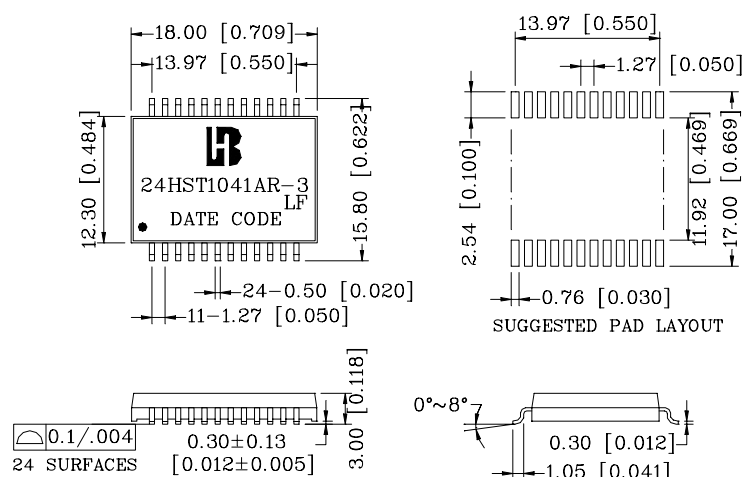
Continue

Part Number	Insertion Loss (dB Max)	Return Loss (dB Min)@ Load 100					DCMR (dB Min)		
		1-100MHz	1-30MHz	40MHz	50MHz	60-80MHz	100MHz	30MHz	60MHz
24HST1041AR-3 LF	-1.0	-18	-15	-14	-12.5	-11	-40	-35	-30

Schematic



Mechanical



Units: mm[Inches] Tolerance: xx.x0±0.25[0.010]
0.xx±0.05[0.002]