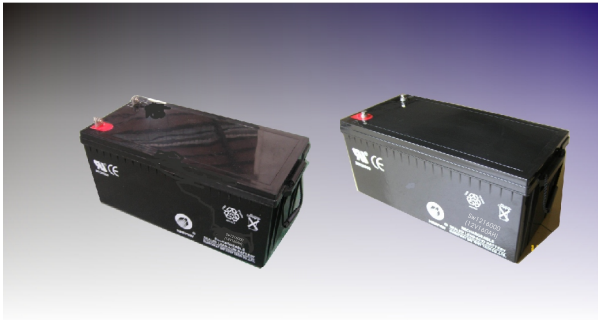
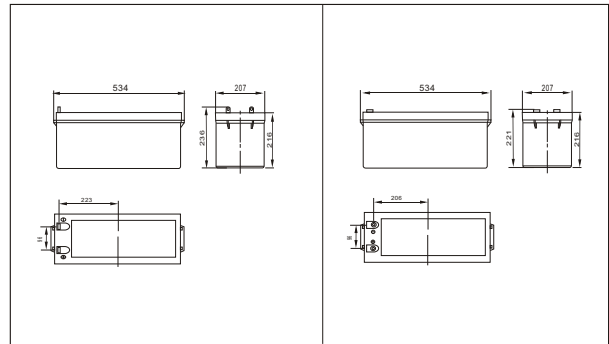




SW121600II(12V160AH)



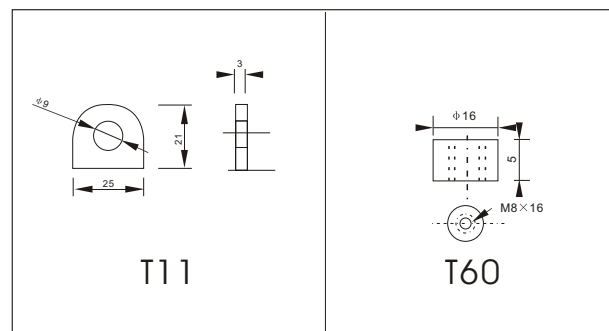
Outer dimensions (mm)



Specifications

Nominal Voltage		12V	
Rated capacity (10hour rate)		160 Ah	
Dimensions	Total Height	T11	237 mm (9.33inches)
		T60	221 mm (8.70 inches)
	Height	216 mm (8.50 inches)	
	Length	534 mm (21.1 inches)	
Width		209 mm (8.23 inches)	
Weight Approx		50 Kg (110.5 lbs)	

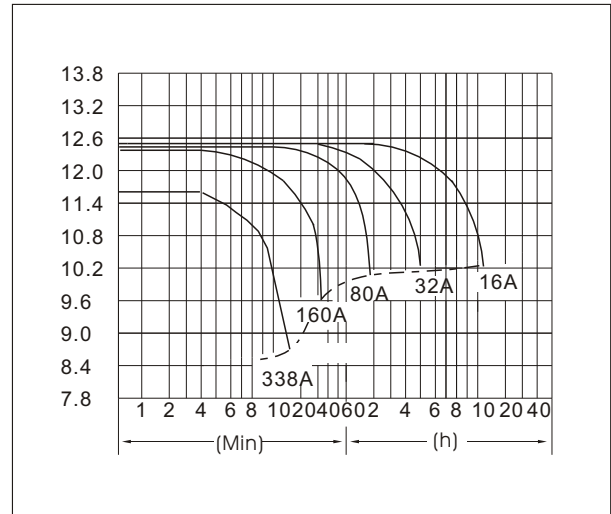
Terminal Type (mm)



Characteristics

Capacity 25°C(77°F)	10 hour rate(16 A) 5 hour rate(25.6A) 1 hour rate(96 A)	160 AH 128 AH 96 AH
Internal Resistance	Full charged Battery at 25°C(77°F)	approx 3.2 mΩ
Capacity affected by Temperature (10hour rate)	40°C(104°F) 25°C(77°F) 0°C(32°F) -15°C(5°F)	102% 100% 85% 65%
Self-Discharge at 25°C(77°F)	Capacity after 3 month storage Capacity after 6 month storage Capacity after 12 month storage	91% 82% 64%
Terminal	T11、 T60	
Charge (constant Voltage)	Cycle	Initial Charging Current less than 64 A Voltage 14.10-14.40V
	Float	Voltage 13.50-13.80V

Discharge Curves 25°C(77°F)



Constant Current(Amp) and Constant Power(Watt) Discharge Table at 25°C(77°F)

Time		5min	10min	15min	30min	1h	2h	3h	4h	5h	8h	10h	20h
960V	A	512	338	272	182	96	56	41.1	32.0	26.4	18.7	16.8	9.1
	W	5289	3606	2918	1961	1037	615	457.7	360.0	300.2	214.5	194.0	105.5
1020V	A	496	305	256	174	90	53	40.0	31.2	25.9	18.2	16.5	8.8
	W	5301	3402	2868	1958	1021	616	463.2	362.8	302.2	213.4	193.6	103.2
1050V	A	480	272	224	163	87	52	39.0	30.7	25.6	18.1	16.2	8.8
	W	5243	3100	2558	1878	1012	605	454.9	359.4	300.1	212.6	191.2	104.0
1080V	A	463	257	208	150	84	51	38.1	30.2	25.0	17.6	16.0	8.6
	W	5192	2961	2400	1743	983	596	449.0	357.1	295.0	208.6	190.2	102.9
1110V	A	447	241	192	134	82	50	36.8	29.4	24.3	17.1	15.2	8.2
	W	5071	2787	2239	1572	960	586	437.2	350.6	290.2	205.0	183.5	98.9