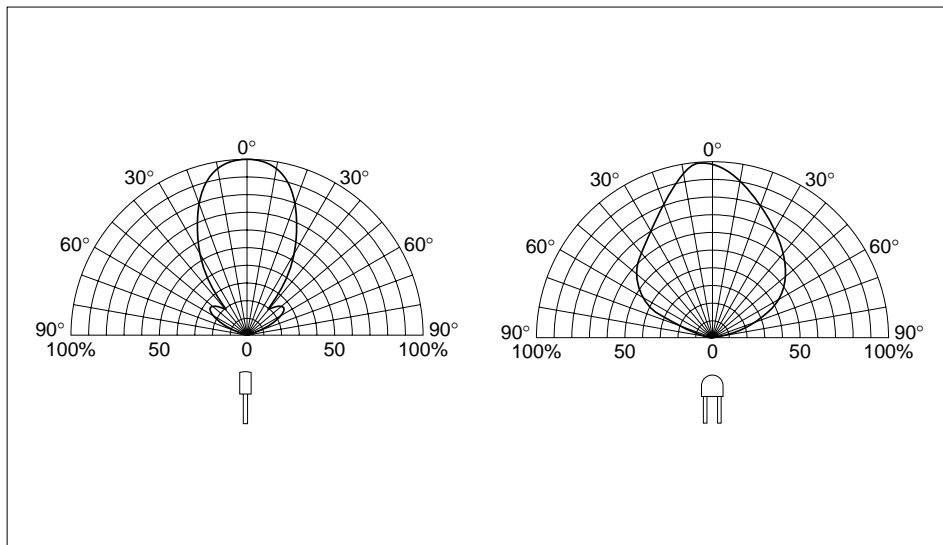


■4φ Bow Shaped LEDs

SEL4027 Series

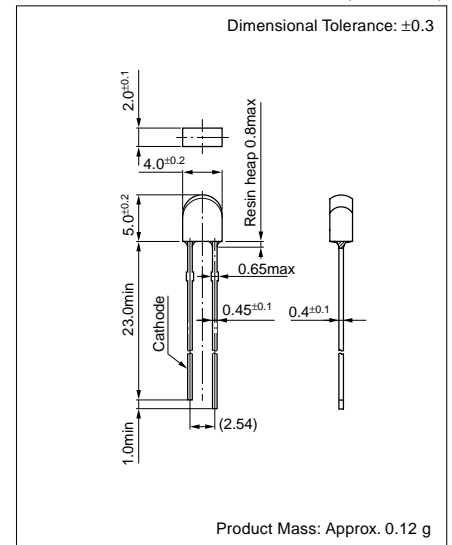
Part Number	Emitting Color	Lens Color	Forward Voltage		Conditions IF (mA)	Luminous Intensity		Peak Wavelength		Dominant Wavelength		Spectrum Half Bandwidth		Chip Material
			VF (V)			Iv (mcd)		λP (nm)		λd (nm)		Δλ (nm)		
			TYP	MAX	TYP		TYP		TYP		TYP		TYP	
SEL4227C	Red	Water clear	1.9	2.5	10	15	20	630		620	10	35	10	GaAsP
SEL4427EP	Green	Transparent green	2.0	2.5	10	19	20	560		567	10	20	10	GaP

Directional Characteristics (representative example)



External Dimensions

(Unit: mm)



## 5-1 Visible Light LEDs

### Absolute Maximum Ratings

#### ●Visible Light Unicolor Lamp

Parameter	Unit	Ratings					Conditions
		GaP	GaAsP	GaAlAs	AlGaInP	InGaN	
PD	mW	75			120		
IF	mA	30					
ΔIF	mA/°C	-0.45					25°C or higher
IFP	mA	100			70		f=1kHz, tw≤100μs
VR	V	3		5			
T <sub>op</sub>	°C	-30 to +85				-30 to +80	
T <sub>stg</sub>	°C	-30 to +100					

#### ●Visible Light Bicolor Lamp

Parameter	Unit	Ratings					Conditions
		GaP	GaAsP	GaAlAs	AlGaInP	InGaN	
PD	mW	75			120		Same conditions for simultaneous lighting
IF	mA	30					
ΔIF	mA/°C	-0.45					25°C or higher
IFP	mA	100			70		f=1kHz, tw≤100μs
VR	V	4		5			
T <sub>op</sub>	°C	-30 to +85				-30 to +80	
T <sub>stg</sub>	°C	-30 to +100					

#### ●Visible Light Unicolor Surface Mount LEDs

Parameter	Unit	Ratings					Conditions
		GaP	GaAsP	GaAlAs	AlGaInP	InGaN	
IF	mA	30			20		
ΔIF	mA/°C	-0.45					25°C or higher
IFP	mA	100 <sup>*1</sup>			70 <sup>*2</sup>		f=1kHz, tw≤100μs
VR	V	3		5			
T <sub>op</sub>	°C	-30 to +85				-30 to +80	
T <sub>stg</sub>	°C	-30 to +100					

\*1: 70mA for SEC1005/1007 Series  
\*2: 50mA for SEC1005/1007 Series

#### ●Visible Light Bicolor Surface Mount LEDs

Parameter	Unit	Ratings		Conditions
		SEC2002/2004		
PD	mW	75 (Same conditions for simultaneous lighting)		
IF	mA	30		
ΔIF	mA/°C	-0.45		25°C or higher
IFP	mA	70		f=1kHz, tw≤100μs
VR	V	4		
T <sub>op</sub>	°C	-30 to +85		
T <sub>stg</sub>	°C	-30 to +100		

#### ●Visible Light Three Element Surface Mount LEDs

Parameter	Unit	Ratings		Conditions
		SECT3M02C-S		
		Red	Green/Blue	
PD	mW	75	120	When one chip lights up (same as green/blue for simultaneous lighting)
IF	mA	30		
ΔIF	mA/°C	-0.45		25°C or higher
IFP	mA	70	50	f=1kHz, tw≤100μs
VR	V	5		
T <sub>op</sub>	°C	-30 to +80		
T <sub>stg</sub>	°C	-30 to +100		