

**PLEASE CHECK WWW.MOLEX.COM FOR LATEST PART INFORMATION**

**Part Number:** [0512041200](#)  
**Status:** **Active**  
**Description:** HMC™ Rectangular Industrial Female Housing, Multi-Module Type, 12 Circuits

**Documents:**

[Drawing \(PDF\)](#) [RoHS Certificate of Compliance \(PDF\)](#)

**Agency Certification**

CSA	LR19980
TUV	R72081037
UL	E29179

**General**

Product Family	I/O Connectors
Series	<a href="#">51204</a>
Application	Panel-Mount
Component Type	Housing
Product Name	HMC™
Type	N/A

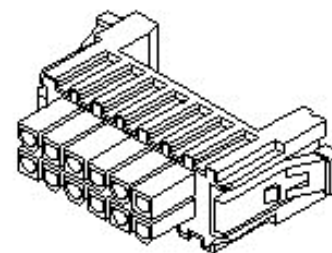
**Physical**

Boot Color	N/A
Breakaway	No
Circuits (Loaded)	N/A
Circuits (maximum)	12
Color - Resin	Natural
Durability (mating cycles max)	50
Flammability	94V-0
Gender	Plug
Lock to Mating Part	Yes
Material - Plating Mating	n/a
Material - Resin	Nylon
Number of Rows	2
Orientation	Vertical
PCB Locator	No
Packaging Type	Bag
Panel Mount	N/A
Pitch - Mating Interface (in)	0.165 In
Pitch - Mating Interface (mm)	4.20 mm
Pitch - Term. Interface (in)	0.165 In
Pitch - Term. Interface (mm)	4.20 mm
Polarized to Mating Part	Yes
Polarized to PCB	N/A
Ports	1
Surface Mount Compatible (SMC)	No
Temperature Range - Operating	-55°C to +125°C
Termination Interface: Style	N/A
Waterproof / Dustproof	Yes
Waterproof / Dustproof Type	IP65

**Electrical**

Current - Maximum per Contact	43A
Shielded	No
Voltage - Maximum	300V DC

**Material Info**



*image - Reference only*

*Series*

**EU RoHS**

**ELV and RoHS  
Compliant**  
**REACH SVHC  
Contains SVHC: No**  
**Halogen-Free  
Status**

**China RoHS**



**Need more information on product  
environmental compliance?**

Email [productcompliance@molex.com](mailto:productcompliance@molex.com)  
 For a multiple part number RoHS Certificate of  
 Compliance, [click here](#)

Please visit the [Contact Us](#) section for any  
 non-product compliance questions.

**Search Parts in this Series**

[51204Series](#)

**Mates With**

[512031200](#)

**Use With**

58719 panel-mount bracket, [5556](#) GSX  
 terminal, [58721](#) hood bracket

**Reference - Drawing Numbers**

Product Specification  
Sales Drawing

RPS-51200-003, RPS-58719-004, RPS-58719-007  
SD-51204-002

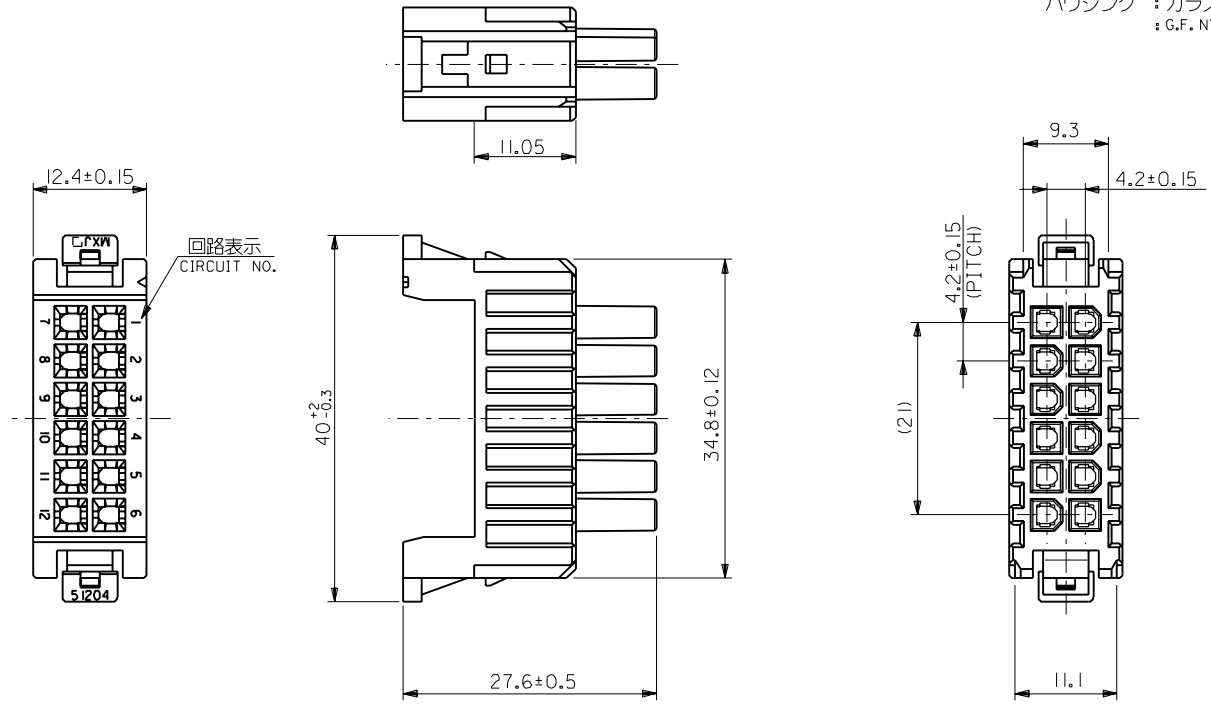
This document was generated on 03/31/2010

**PLEASE CHECK [WWW.MOLEX.COM](http://WWW.MOLEX.COM) FOR LATEST PART INFORMATION**

DWG. NO. SD-51204-002

注記  
NOTES.

1. 適合ターミナル : 5556\*\*\*\*  
APPLICABLE TERMINAL: 5556\*\*\*\*
2. 材質  
MATERIAL  
ハウジング : ガラス入りナイロン66 UL94V-0 色: 自然色  
: G.F. NYLON UL94V-0 COLOR : NATURAL



51204-I200	51204-I200
------------	------------

MATERIAL NO	MODEL NO
-------------	----------

DIMENSIONS:	SHT	REV
<input type="checkbox"/> mm <input type="checkbox"/> INCH <input checked="" type="checkbox"/> mm ONLY		REVISE ON CAD ONLY

GENERAL TOLERANCES: (UNLESS SPECIFIED) 一般公差		SCALE 2-1	DESIGN UNITS <input checked="" type="checkbox"/> mm <input type="checkbox"/> INCH	THIRD ANGLE PROJECTION
10 UNDER 未満	+0.2	DRAWN BY & DATE <i>S. Adiyama</i> 98/9/9		TITLE: POWER CONN. 12P SOCKET HOUSING
10 OVER 以上	+0.25	CHECKED BY & DATE <i>Y. Ota</i>		
30 OVER 以上	+0.3	APPROVED BY & DATE <i>[Signature]</i>		
ANGLE 角度	+3°	CAD FILE NAME 51204002.S01		MATERIAL NO. SEE CHART

MOLEX INCORPORATED		
MATERIAL NO. SEE CHART	DRAWING NO. SD-51204-002	SHEET NO. 1 OF 1
THIS DRAWING CONTAINS INFORMATION THAT IS PROPRIETARY TO MOLEX INCORPORATED AND SHOULD NOT BE USED WITHOUT WRITTEN PERMISSION.		SIZE B

EC NO. DRWN: CHK: APPR:	EC NO. DRWN: CHK: APPR:	EC NO. DRWN: CHK: APPR:	REVISED '98/12/23 EC NO. JD90898 DRWN: Y. TETSUKA CHK: SAKIYAMA/YO.ITO APPR: HIKESUGI	REVISED '98/9/9 EC NO. JD90377 DRWN: S. AKIYAMA CHK: YO.ITO APPR: HIKESUGI	MATERIAL 材料 注記参照 SEE NOTES.	FINISH 仕上げ	WIRE RANGE 適用線径範囲	INS. RANGE 被覆外径
A				O		#	#	#

DO NOT SCALE DRAWING