

**PLEASE CHECK WWW.MOLEX.COM FOR LATEST PART INFORMATION**

**Part Number:** [0350409000](#)  
**Status:** **Active**  
**Description:** 1.85mm (.070") Tab Terminal, Male, 16-18 AWG (1.31-0.80mm<sup>2</sup>), (.012") Thickness, Pre-Tin Plated

**Documents:**

[Drawing \(PDF\)](#) [RoHS Certificate of Compliance \(PDF\)](#)  
[Product Specification PS-35127-001 \(PDF\)](#)

**General**

Product Family	Crimp Terminals
Series	<a href="#">35040</a>
Crimp Quality Equipment	Yes
Product Name	N/A

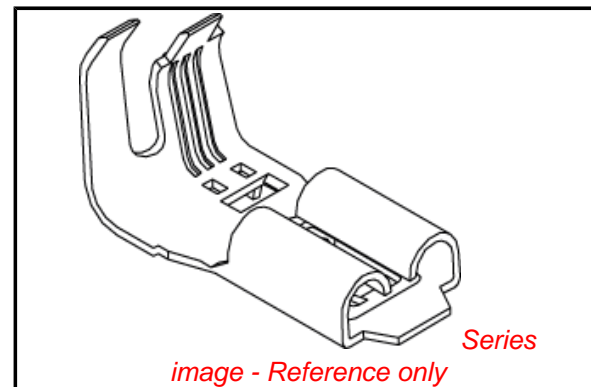
**Physical**

Gender	Male
Material - Metal	Brass
Material - Plating Mating	Tin
Material - Plating Termination	Tin
Packaging Type	Reel
Plating min: Mating (µin)	32.00
Plating min: Mating (µm)	0.800
Plating min: Termination (µin)	32.00
Plating min: Termination (µm)	0.80
Termination Interface: Style	Crimp or Compression
Wire Insulation Diameter	2.40-4.00mm (.094-.157")
Wire Size AWG	16, 18
Wire Size mm <sup>2</sup>	N/A

**Material Info**

**Reference - Drawing Numbers**

Product Specification	PS-35127-001
Sales Drawing	SD-35040-001



**EU RoHS**

**ELV and RoHS  
Compliant**  
**REACH SVHC  
Contains SVHC: No**  
**Halogen-Free  
Status**

**China RoHS**



**Need more information on product  
environmental compliance?**

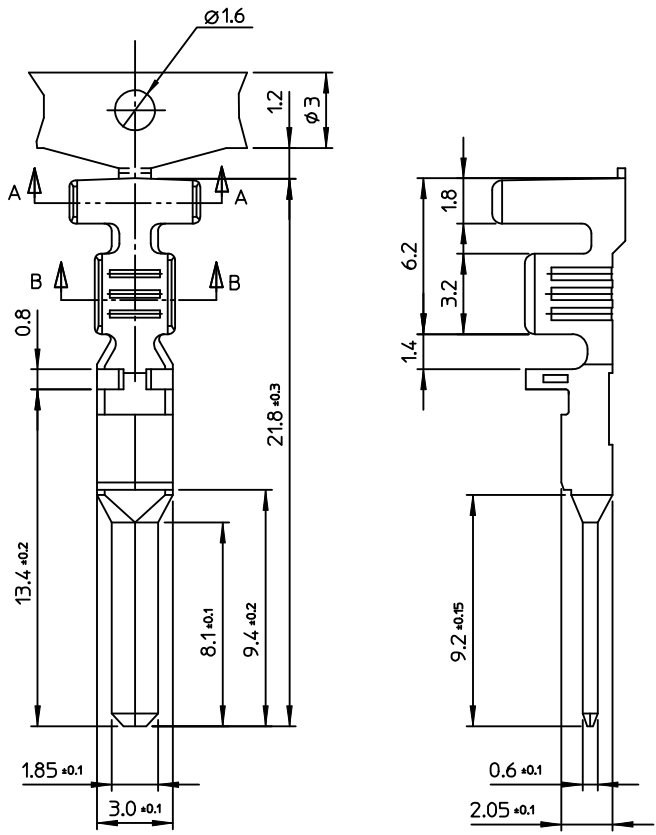
Email [productcompliance@molex.com](mailto:productcompliance@molex.com)  
 For a multiple part number RoHS Certificate of Compliance, [click here](#)

Please visit the [Contact Us](#) section for any non-product compliance questions.

**Search Parts in this Series**  
[35040Series](#)

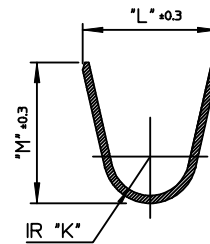
**Mates With**  
[35068](#)

**Use With**  
[35127](#)

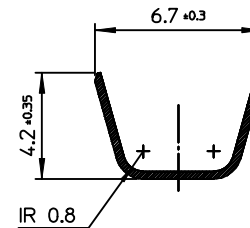


NOTES.

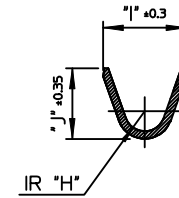
1. MATERIAL : Ⓞ BRASS, PRE-TIN PLATED
2. FINISH : 0.8~1.8µm,Tin(Sn) plating overall  
0.3~0.8µm.Copper(Cu) plating
3. PRODUCT SPECIFICATION : PS-35127-001
4. MATED TERMINAL : 35028 SERIES



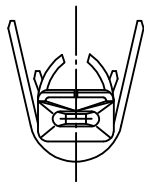
SECTION A-A



SECTION A-A  
(35040-9502)



SECTION B-B



H	I	J	K	L	M	MATERIAL NO.	ENG NO.
0.8	3.0	3.2	0.8	3.35	3.55	350409802	35040-9802
0.8	3.2	3.5	1.55	5.4	5.3	350409000	35040-9000
0.8	4.3	3.2				350409502	35040-9502

REVISED EC NO: KOR2009-0151 DRWN: JHPARK01 2009/05/18 CHKD: WY. YANG 2009/06/18 APPR: YUNSIKKIM 2009/07/01	DESCRIPTION REV	QUALITY SYMBOLS	GENERAL TOLERANCES (UNLESS SPECIFIED)		DIMENSION STYLE		SCALE	DESIGN UNITS	THIRD ANGLE PROJECTION	
		▼=0 ▽=0	mm	INCH	MM ONLY		5:1	METRIC		
		4 PLACES ± --- ± --- 3 PLACES ± --- ± --- 2 PLACES ± 0.2 ± --- 1 PLACE ± 0.3 ± ---	ANGULAR ± 1 °		DRAWN BY	DATE	TITLE			
		DRAFT WHERE APPLICABLE MUST REMAIN WITHIN DIMENSIONS	SEE TABLE		YJ.KIM	1992/08/29	.070 MALE TERMINAL			
					CHECKED BY	DATE	MOLEX INCORPORATED SD-35040-001			
					BK. CHOI	1992/08/29				
					APPROVED BY	DATE	MOLEX INCORPORATED SD-35040-001			
					CW.LEE	1992/08/29				
					MATERIAL NO.	DOCUMENT NO.	SHEET NO. 1 OF 01			
					SEE TABLE	SD-35040-001				
					THIS DRAWING CONTAINS INFORMATION THAT IS PROPRIETARY TO MOLEX INCORPORATED AND SHOULD NOT BE USED WITHOUT WRITTEN PERMISSION					