

# WC415-32.768KHZ Crystal Series

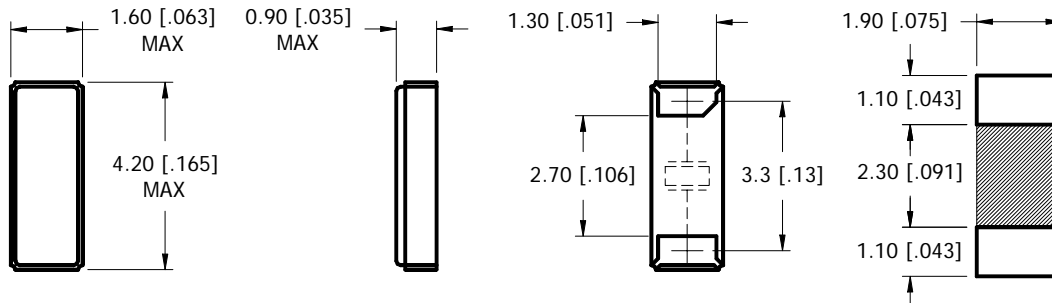


- Ceramic SMD Tuning Fork Crystal
- 32.768KHZ
- RoHS Compliant
- Tape and Reel Packaging Available

## ELECTRICAL SPECIFICATIONS:

Frequency	32.768KHZ
Frequency Tolerance at +25°C	±20 ppm
Load Capacitance	12.5pF
Operating Temperature	-40°C to ±85°C
Storage Temperature	-55°C to ±125°C
Turnover Temperature	+25°C ±5°C
Stability	-0.035 ppm / (change in °C) <sup>2</sup> max parabolic curve
Equivalent Series Resistance	70k Ohms Max
Drive Level	1uW max
Aging	±3 ppm first year
Quality Factor	53000 typ
Shunt Capacitance	1.05pF Max

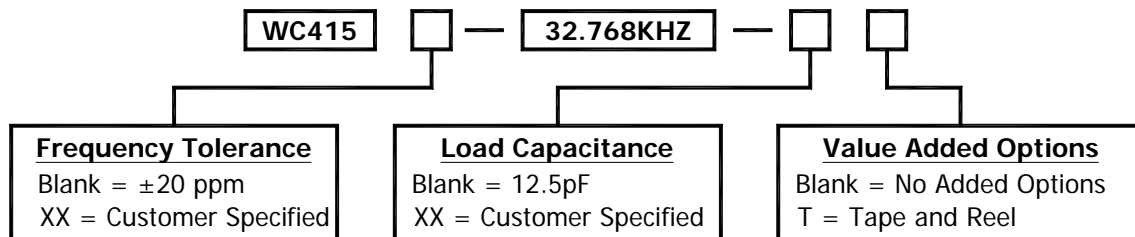
## MECHANICAL DETAILS:



DIMENSION IN BRACKETS ARE IN INCHES

RECOMMENDED LAND PATTERN  
\*DO NOT DESIGN ANY PATTERNS ON SHADED AREA

## PART NUMBERING GUIDE:



Please consult with MMD sales department for any other parameters or options.

**MMD Components**, 30400 Esperanza, Rancho Santa Margarita, CA, 92688  
 Phone: (949) 709-5075, Fax: (949) 709-3536, [www.mmdcomp.com](http://www.mmdcomp.com)  
 Sales@mmdcomp.com