

PLEASE CHECK WWW.MOLEX.COM FOR LATEST PART INFORMATION

Part Number: **5019301100**
Status: **Active**
Overview: duoclassp
Description: 1.25mm (.049") Pitch Duo-Clasp™ Wire-to-Board Crimp Terminal, Reel

Documents:

Packaging Specification (PDF)	Product Specification PS-501931-002 (PDF)
Drawing (PDF)	RoHS Certificate of Compliance (PDF)
Application Specification (PDF)	

General

Product Family	Crimp Terminals
Series	<u>501930</u>
Crimp Quality Equipment	Yes
Overview	<u>duoclassp</u>
Product Name	Duo-Clasp™

Physical

Durability (mating cycles max)	30
Gender	Plug
Material - Metal	Copper Alloy
Material - Plating Mating	Gold
Material - Plating Termination	Tin
Packaging Type	Reel
Plating min: Mating (µin)	4
Plating min: Mating (µm)	0.1
Plating min: Termination (µin)	40
Plating min: Termination (µm)	1
Wire Insulation Diameter	0.8-1.0mm
Wire Size AWG	26, 28
Wire Size mm²	N/A

Electrical

Current - Maximum per Contact	1A
Voltage - Maximum	50V AC (RMS)/DC

Material Info

Reference - Drawing Numbers

Application Specification	AS-503110-001, AS-503110-002
Packaging Specification	SPK-501930-001
Product Specification	PS-501931-002, RPS-501931-001, RPS-501931-002
Sales Drawing	SD-501930-001

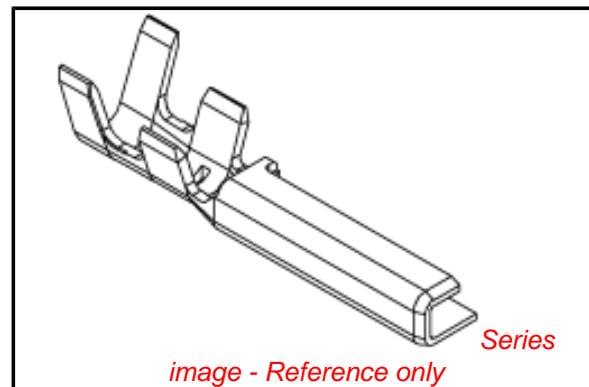


image - Reference only

EU RoHS

**ELV and RoHS
Compliant**
**REACH SVHC
Contains SVHC: No**
**Halogen-Free
Status
Not Reviewed**

China RoHS



**Need more information on product
environmental compliance?**

Email productcompliance@molex.com
 For a multiple part number RoHS Certificate of Compliance, [click here](#)

Please visit the [Contact Us](#) section for any non-product compliance questions.

Search Parts in this Series

[501930Series](#)

Mates With

[501931](#) PCB Receptacle . [502046](#) PCB Receptacle

Use With

[503110](#) Crimp Housing

Application Tooling | FAQ

Tooling specifications and manuals are found by selecting the products below. Crimp Height Specifications are then contained in the Application Tooling Specification document.

Global

Description	Product #
Extraction Tool	0638132700
Fine Adjust Applicator for 1.25mm (.049") Pitch Wire-to-Board Connector Dual Plug	0639006600

Terminals, 26-28
AWG
T2 Terminator 0639106600
Tooling Die for
1.25mm (.049")
Pitch Wire-to-Board
Connector Dual Plug
Terminals, 26-28
AWG
Hand Tool for 0638194400
1.25mm (.049")
CLIK-Mate™ Wire-
to-Board Crimp
Terminal, 26-28
AWG

Japan

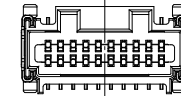
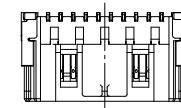
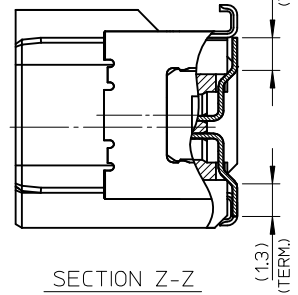
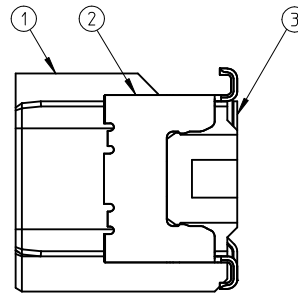
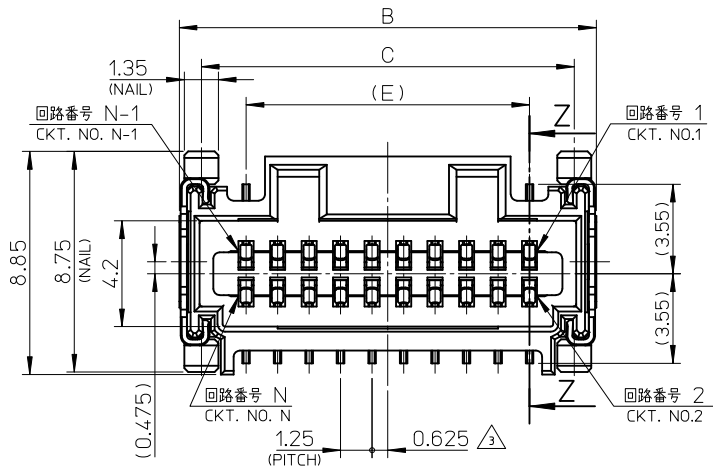
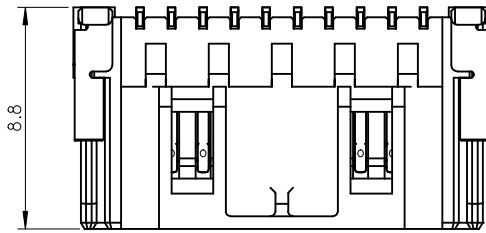
Description	Product #
Hand Crimp Tool - Straight Action	<u>5780345300</u>
Applicator for M21 1A Bench Press, 26-28 AWG, for 501930 Crimp Terminal	<u>5780343000</u>

This document was generated on 06/01/2010

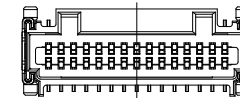
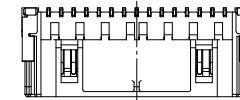
PLEASE CHECK WWW.MOLEX.COM FOR LATEST PART INFORMATION

NOTES

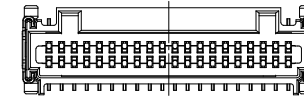
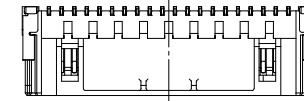
1. 嵌合相手: 503110-****.
MATE WITH: 503110-****.
2. 端子テール部 及び ネイルの平坦度: 0.1MAX.
TAIL AND NAIL COPLANARITY TO BE 0.1 MAX.
3. 極数/2=偶数に適用.
APPLY FOR CKT. SIZE / 2 = EVEN.
4. 端子テール部 及び ネイルに錫めっきを使用しているため、
外観に摺動痕が付く場合が御座います。
THE WOUND OF FRICTION MIGHT ADHERE TO EXTERNALS
BECAUSE THE TIN PLATING IS USED FOR THE TAIL AND NAIL.
5. 本製品のプラスチック部に黒点等が確認される場合や
色合いが異なる場合がありますが、製品性能に影響はありません。
THERE IS NO INFLUENCE IN THE PRODUCT PERFORMANCE THOUGH
THE BLACK SPOT ETC. MIGHT BE CONFIRMED TO THE PLASTIC PART
OF THIS PRODUCT AND THE SHADE MIGHT BE DIFFERENT.
6. ELV 及び RoHS 適合品
ELV AND ROHS COMPLIANT



20ckt.



30ckt.



40ckt.

極数の種類 (正面図)

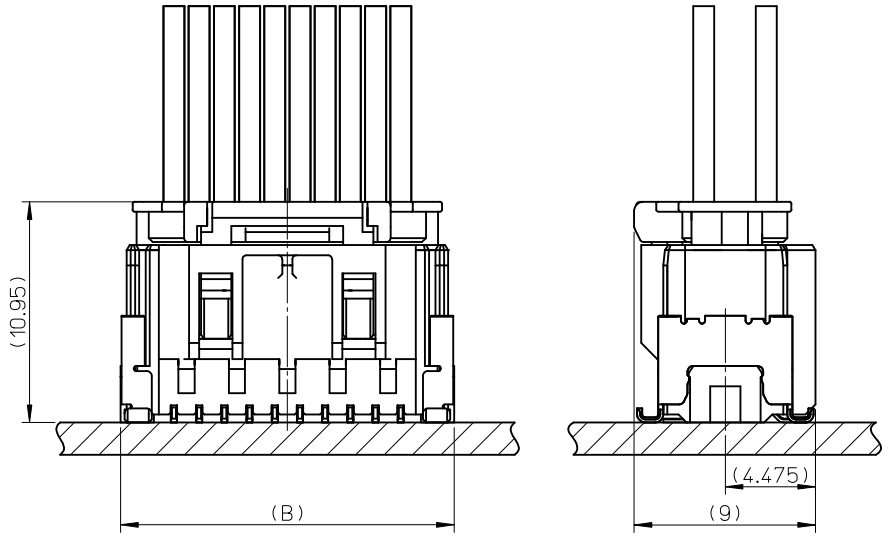
KIND OF CKT. NO. (FRONT VIEW)

17	23.75	25.3	27.3	29.05	29.5	501931-4070	40
10.75	17.5	19.05	21.05	22.8	23.25	501931-3070	30
4.5	11.25	12.8	14.8	16.55	17	501931-2070	20
F	E	D	C	B	A	EMBOSSED PACKAGE オーダー番号 ORDER No.	極数 CIRCUITS

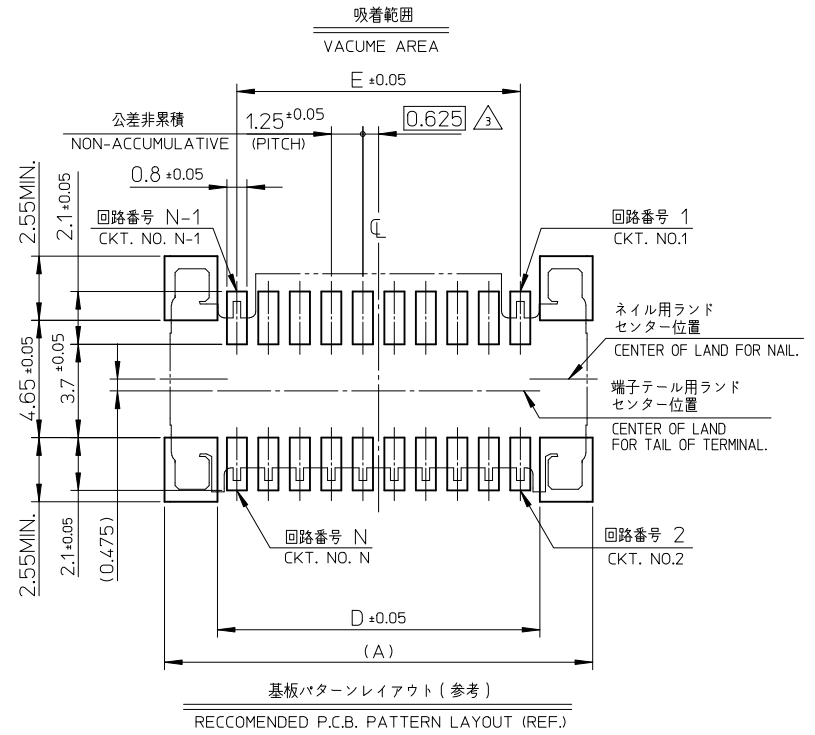
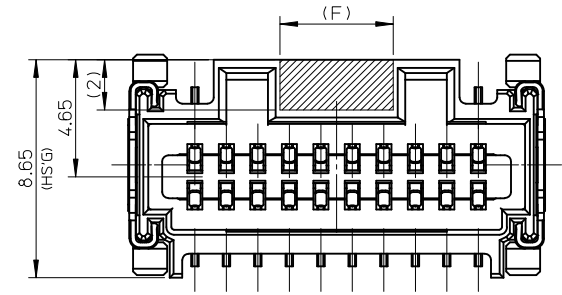
CONNECTOR SERIES No. 501931-**00

番号 NO.	部品 PART	材質 MATERIAL
①	ハウジング HOUSING	ポリアミド (PA) UL94V-0 色: 自然色 POLYAMIDE (PA) UL94V-0 COLOR:NATURAL
②	ターミナル TERMINAL	銅合金 COPPER ALLOY 金めっき (接点部): 0.1 micro-meter MIN. GOLD (CONTACT AREA) 錫めっき (テール部): 1.0 micro-meter MIN. TIN (TAIL AREA) ニッケルめっき (下地): 1.0 micro-meter MIN. NICKEL (UNDER PLATING)
③	ネイル NAIL	銅合金 COPPER ALLOY 錫めっき: 1.0 micro-meter MIN. TIN ニッケルめっき (下地): 1.0 micro-meter MIN. NICKEL (UNDER PLATING)

REVISED EC NO: J2010-1115 DRWN: NYOSHIKAWA 2009/12/03 CHKD: K. ASAKAWA 2009/12/07 APPR: NUKITA 2009/12/07	DESCRIPTION	GENERAL TOLERANCES (UNLESS SPECIFIED)		DIMENSION STYLE MM ONLY		SCALE 5:1	DESIGN UNITS METRIC	THIRD ANGLE PROJECTION	
		10 UNDER	±0.2	DRAWN BY T. MIYAZAKI	DATE 2006/03/13	TITLE 1.25 W/B CONN. DUAL S/T REC. ASS'Y			
		10 OVER 30 UNDER	±0.25	CHECKED BY K. ASAKAWA	DATE 2006/03/13	MOLEX INCORPORATED DOCUMENT NO. SD-501931-001 SHEET NO. 1 OF 2			
		30 OVER	±0.3	APPROVED BY S. ICHIKAWA	DATE 2006/03/13				
REV	ANGULAR ±3 °	DRAFT WHERE APPLICABLE MUST REMAIN WITHIN DIMENSIONS		SIZE A3	THIS DRAWING CONTAINS INFORMATION THAT IS PROPRIETARY TO MOLEX INCORPORATED AND SHOULD NOT BE USED WITHOUT WRITTEN PERMISSION				

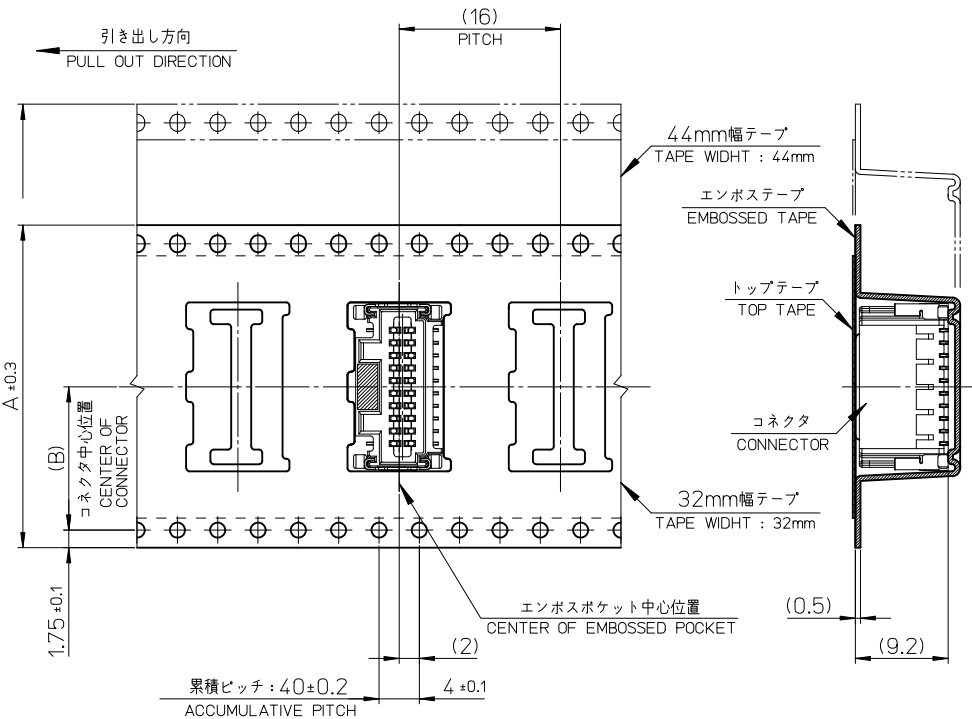
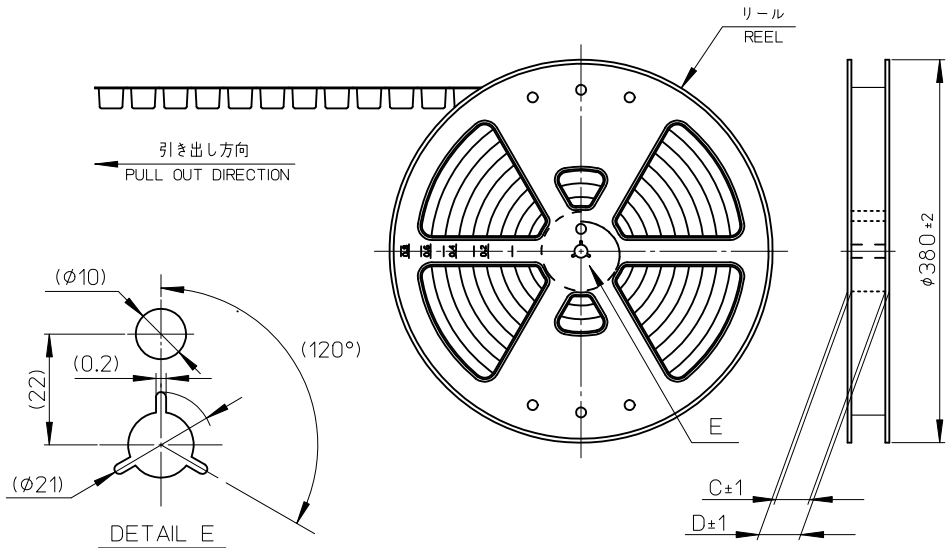


嵌合図
MATED CONNECTORS



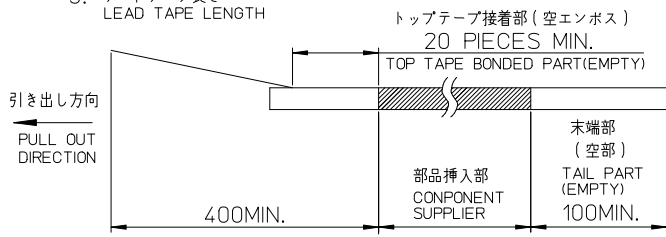
基板パターンレイアウト (参考)
RECOMMENDED P.C.B. PATTERN LAYOUT (REF.)

REVISED EC NO: J2010-1115 DRWN: YOSHIKAWA 2009/12/03 CHK'D: ASAKAWA 2009/12/07 APPR: NUKITA 2009/12/07	GENERAL TOLERANCES (UNLESS SPECIFIED)		DIMENSION STYLE	SCALE	DESIGN UNITS	THIRD ANGLE PROJECTION
			MM ONLY	5:1	METRIC	
	10 UNDER	±0.2	DRAWN BY	DATE	TITLE	
	10 OVER 30 UNDER	±0.25	T. MIYAZAKI	2006/03/13	1.25 W/B CONN. DUAL S/T REC. ASS'Y	
	30 OVER	±0.3	CHECKED BY	DATE		
	ANGULAR ±3 °	K. ASAKAWA	2006/03/13			
	DRAFT WHERE APPLICABLE MUST REMAIN WITHIN DIMENSIONS	APPROVED BY	DATE	MOLEX INCORPORATED		
		S. ICHIKAWA	2006/03/13	DOCUMENT NO. SD-501931-001		
		MATERIAL NO.	SEE SHEET 1		SHEET NO. 2 OF 2	
		SIZE	THIS DRAWING CONTAINS INFORMATION THAT IS PROPRIETARY TO MOLEX INCORPORATED AND SHOULD NOT BE USED WITHOUT WRITTEN PERMISSION			



NOTES

- 製品詳細寸法については、SD-501931-001 を参照下さい。
PLEASE REFER TO SD-501931-001 FOR THE DETAILED DIMENSION OF THE CONNECTOR.
- 梱包数量 : 550個
NUMBER OF CONNECTORS : 550 PIECES/REEL.
- リードテープ長さ
LEAD TAPE LENGTH



- 材料 MATERIAL
キャリアテープ: ポリスチレン (PS)
CARRIER TAPE: POLYSTYRENE (PS)
トップテープ: ポリエステル (PET)、その他
TOP TAPE: POLYESTER (PET)、OTHER
リール: ポリスチレン (PS) <リサイクル材を含む>
REEL: POLYSTYRENE (PS) <RECYCLE MATERIAL CONTAINED>
- ELV 及び RoHS 適合品
ELV AND RoHS COMPLIANT

49.4	45.4	20.2	44	44	501931-4070	40
49.4	45.4	20.2	44	44	501931-3070	30
37.4	33.4	14.2	32	32	501931-2070	20
D	C	B	A	エンボステープ幅 A WIDTH OF TAPE	EMBOSSSED PACKAGE オーダー番号 ORDER No.	極数 CIRCUITS

RELEASED EC NO: J2010-1115 DRWN: YOSHIKAWA 2009/12/03 CHK'D: K. ASAKAWA 2009/12/07 APPR: NUKITA 2009/12/07	DESCRIPTION GENERAL TOLERANCES (UNLESS SPECIFIED) 10 UNDER ±0.2 10 OVER 30 UNDER ±0.25 30 OVER ±0.3 ANGULAR ±3 ° DRAFT WHERE APPLICABLE MUST REMAIN WITHIN DIMENSIONS	DIMENSION STYLE MM ONLY DRAWN BY T. MIYAZAKI DATE 2006/03/13 CHECKED BY K. ASAKAWA DATE 2006/03/13 APPROVED BY S. ICHIKAWA DATE 2006/03/13 MATERIAL NO. SEE TABLE	SCALE --- DESIGN UNITS METRIC THIRD ANGLE PROJECTION	CONNECTOR SERIES No. 501931-***00	
				TITLE 1.25 W/B CONN. DUAL S/T REC. EMBTP PKG	
				MOLEX INCORPORATED DOCUMENT NO. SD-501931-002 SHEET NO. 1 OF 1	
				THIS DRAWING CONTAINS INFORMATION THAT IS PROPRIETARY TO MOLEX INCORPORATED AND SHOULD NOT BE USED WITHOUT WRITTEN PERMISSION	