

PLEASE CHECK WWW.MOLEX.COM FOR LATEST PART INFORMATION

Part Number: **0445600004**
Status: **Active**
Overview: [modular_plugs_jacks](#)
Description: Modular Jack, Right Angle, Low Profile, 8/8, 4 Ports

Documents:

| | |
|---|--|
| Drawing (PDF) | Test Summary (PDF) |
| 3D Model | Product Specification PS-44560-003 (PDF) |
| Packaging Specification (PDF) | RoHS Certificate of Compliance (PDF) |

Agency Certification

| | |
|-----|---------|
| CSA | LR19980 |
| UL | E107635 |

General

| | |
|---------------------------|-------------------------------------|
| Product Family | Modular Jacks/Plugs |
| Series | 44560 |
| Component Type | PCB Jack |
| Magnetic | No |
| Overview | modular_plugs_jacks |
| Performance Category | 5e |
| Power over Ethernet (PoE) | N/A |
| Product Name | RJ45 |

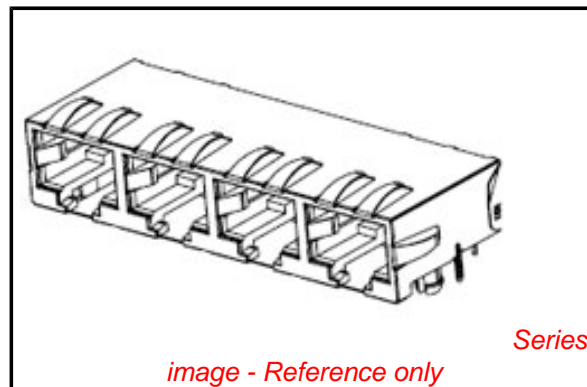
Physical

| | |
|--------------------------------|--------------------------------|
| Color - Resin | Black |
| Durability (mating cycles max) | 500 |
| Flammability | 94V-0 |
| Inverted / Top Latch | No |
| Lightpipes/LEDs | None |
| Material - Metal | Brass, Phosphor Bronze |
| Material - Plating Mating | Gold |
| Material - Plating Termination | Tin |
| Material - Resin | High Temperature Thermoplastic |
| Orientation | Right Angle (Side Entry) |
| PCB Retention | Yes |
| PCB Thickness Recommended (in) | 0.062 In |
| PCB Thickness Recommended (mm) | 1.60 mm |
| Packaging Type | Tray |
| Plating min: Mating (µin) | 50 |
| Plating min: Mating (µm) | 1.25 |
| Plating min: Termination (µin) | 100 |
| Plating min: Termination (µm) | 2.5 |
| Ports | 4 |
| Positions / Loaded Contacts | 8/8 |
| Surface Mount Compatible (SMC) | Yes |
| Temperature Range - Operating | -40°C to +70°C |
| Termination Interface: Style | Through Hole |
| Wire/Cable Type | N/A |

Electrical

| | |
|-------------------------------|------|
| Current - Maximum per Contact | 1.5A |
| Grounding to Panel | None |
| Shielded | Yes |
| Voltage - Maximum | 150V |

Solder Process Data



EU RoHS

ELV and RoHS Compliant
REACH SVHC
Contains SVHC: No
Halogen-Free Status

China RoHS



Need more information on product environmental compliance?

Email productcompliance@molex.com
 For a multiple part number RoHS Certificate of Compliance, [click here](#)

Please visit the [Contact Us](#) section for any non-product compliance questions.

Search Parts in this Series

[44560Series](#)

Mates With

FCC 68 Plugs

| | |
|--|------------------------|
| Duration at Max. Process Temperature (seconds) | 5 |
| Lead-free Process Capability | Wave Capable (TH only) |
| Max. Cycles at Max. Process Temperature | 1 |
| Process Temperature max. C | 260 |

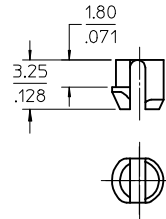
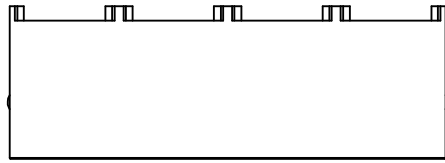
Material Info

Reference - Drawing Numbers

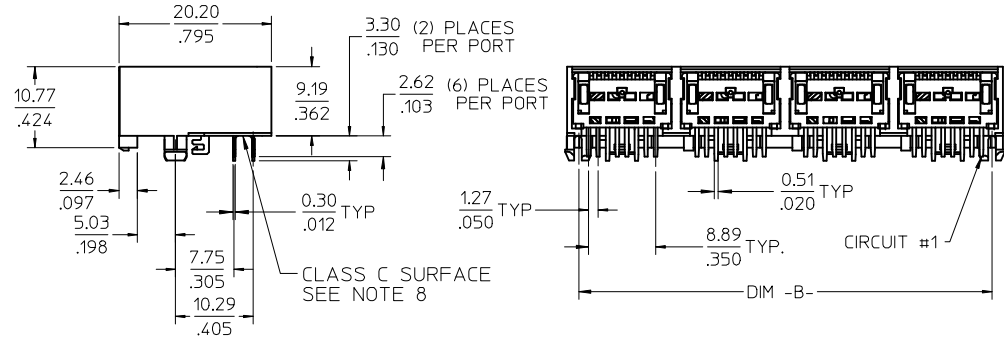
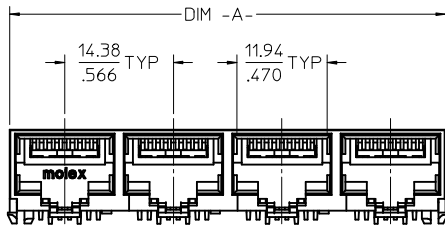
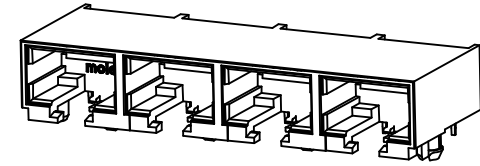
| | |
|-------------------------|-----------------------------|
| Packaging Specification | PK-44560-005 |
| Product Specification | PS-44560-003, RPS-44560-004 |
| Sales Drawing | SD-44560-001 |
| Test Summary | TS-44560-003 |

This document was generated on 06/08/2010

PLEASE CHECK WWW.MOLEX.COM FOR LATEST PART INFORMATION



PEG DETAIL
SCALE 4:1



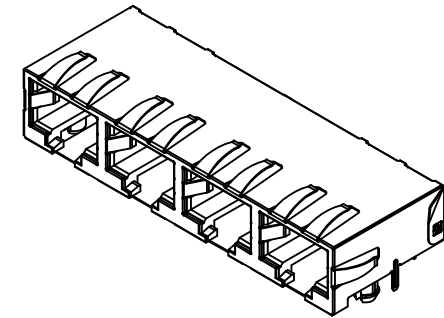
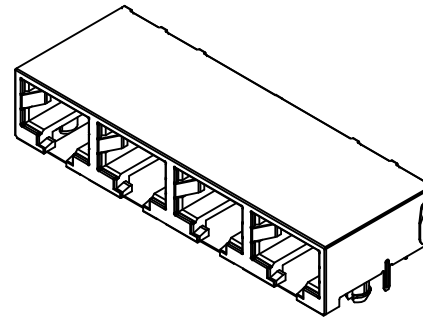
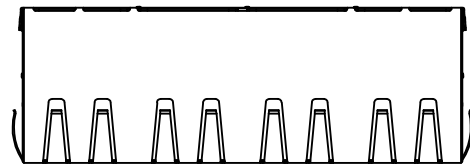
NOTES:

- 1) MATERIAL:
HOUSING: NYLON(PA), GLASS FILLED, UL94V-0, COLOR: BLACK
TERMINALS: PHOSPHOR BRONZE
- 2) FINISH:
TERMINALS:
SELECT GOLD IN CONTACT AREA: 50 MICROINCHES (1.27 MICROMETERS) MIN.,
SELECT MATTE TIN IN PC TAIL AREA: 100 MICROINCHES (2.54 MICROMETERS) MIN.,
WITH OVERALL NICKEL UNDERPLATE: 50 MICROINCHES (1.27 MICROMETERS) MIN.
- 3) PRODUCT SPECIFICATION AND PROCESSING PARAMETERS: PS-44560-003.
- 4) PACKAGING SPECIFICATION:
2 PORT: CONNECTOR PACKAGED IN TRAYS PER MOLEX PACKAGING SPECIFICATION PK-44560-004
4 PORT: CONNECTOR PACKAGED IN TRAYS PER MOLEX PACKAGING SPECIFICATION PK-44560-005
- 5) CONFORMS TO FCC REGULATION PART 68.5 FOR MODULAR JACKS.
- 6) SEE SHEET (4) OF (4) FOR RECOMMENDED PANEL OPENING AND PCB LAYOUT.
- 7) TERMINAL LENGTHS MAY BE DIFFERENT FROM TERMINAL TO TERMINAL.
- 8) THIS PART CONFORMS TO CLASS B REQUIREMENTS OF COSMETIC SPECIFICATION PS-45499-002 WITH THE EXCEPTION OF THE SURFACE INDICATED, WHICH IS A CLASS C SURFACE.
- 9) THIS PRODUCT IS COMPLIANT TO RoHS DIRECTIVE 2002/95/EC AND ELV ANNEX II OF DIRECTIVE 2000/53/EC.

| ASSEMBLY MATERIAL NUMBER | NUMBER OF PORTS | DIM -A- | DIM -B- |
|--------------------------|-----------------|-------------|-------------|
| 445600001 | 2 | 28.96/1.140 | 25.68/1.011 |
| 445600003 | 4 | 57.71/2.272 | 54.43/2.143 |

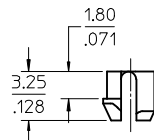
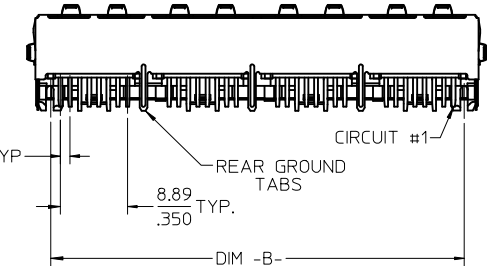
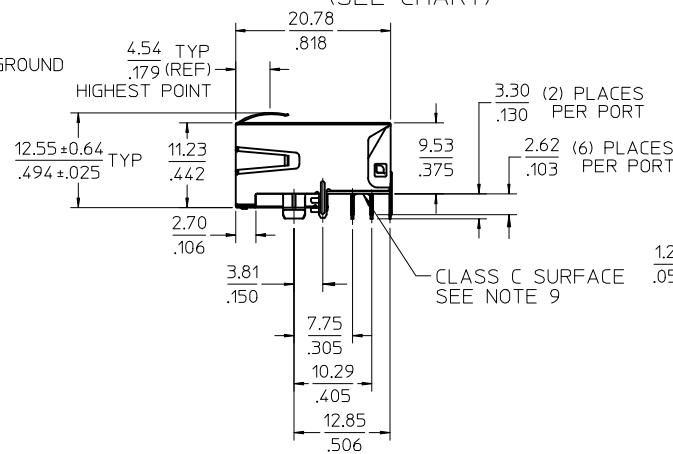
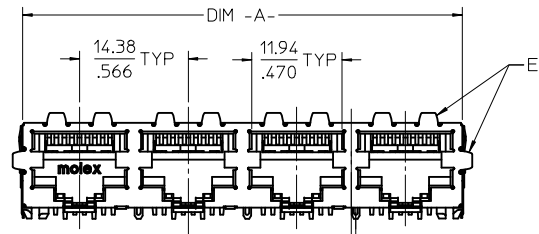
| | | | | | | | | | |
|---|--|---|------------|---------------------------------|------------------|---|----------------------|------------------------|--|
| UPDATE NOTES EC NO: UCP2009-2794 DRW: J.BELL 2009/07/06 CHKD: M.KIPPER 2009/07/22 APPR: F.SMITH 2009/07/23 G2 | QUALITY SYMBOLS = 0 = 0.125 | GENERAL TOLERANCES (UNLESS SPECIFIED) | | DIMENSION STYLE MM/IN | | SCALE 2:1 | DESIGN UNITS INCH | THIRD ANGLE PROJECTION | |
| | | 4 PLACES ± --- ± --- 3 PLACES ± --- ± .012 2 PLACES ± 0.30 ± --- 1 PLACE ± --- ± --- ANGULAR ± 1/2° | mm INCH | DRAWN BY MKAMAR | DATE 00/03/28 | COMPACT GANGED CATEGORY 5E MODJACK | | | |
| | | DRAFT WHERE APPLICABLE MUST REMAIN WITHIN DIMENSIONS | | CHECKED BY MKAMAR | DATE 00/03/28 | MOLEX INCORPORATED | | | |
| | | SEE CHART | | APPROVED BY JROBERTS | DATE 00/03/28 | MATERIAL NO. SD-44560-001 | DOCUMENT NO. | SHEET NO. 1 OF 4 | |

THIS DRAWING CONTAINS INFORMATION THAT IS PROPRIETARY TO MOLEX INCORPORATED AND SHOULD NOT BE USED WITHOUT WRITTEN PERMISSION



SHIELDING OPTION -A-
STANDARD SHIELD
(SEE CHART)

SHIELDING OPTION -B-
ENHANCED GROUND TABS
(SEE CHART)

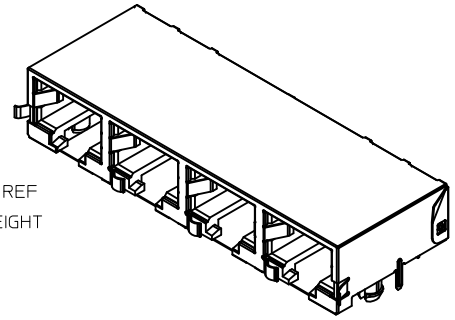
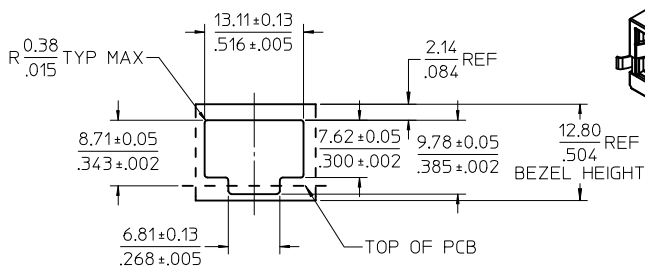
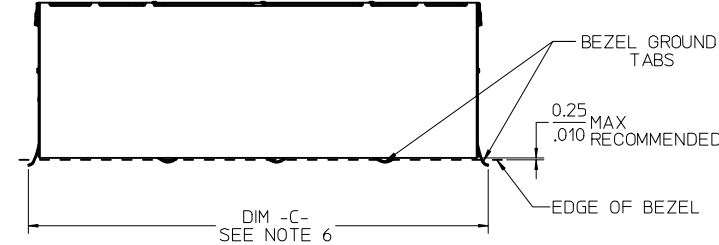


PEG DETAIL
SCALE 4:1

- NOTES:
1) MATERIAL:
HOUSING: NYLON(PA), GLASS FILLED, UL94V-0, COLOR: BLACK
TERMINALS: PHOSPHOR BRONZE
SHIELD: BRASS, .0077(0.18) THICK
2) FINISH:
TERMINALS:
SELECT GOLD IN CONTACT AREA: 50 MICROINCHES (1.27 MICROMETERS) MIN.,
SELECT MATTE TIN IN PC TAIL AREA: 100 MICROINCHES (2.54 MICROMETERS) MIN.,
WITH OVERALL NICKEL UNDERPLATE: 50 MICROINCHES (1.27 MICROMETERS) MIN.
SHIELD:
100 MICROINCHES (2.54 MICROMETERS) NICKEL OVER 50 MICROINCHES
(1.27 MICROMETERS) COPPER UNDERPLATE, PCB GROUND TABS DIPPED IN TIN.
3) PRODUCT SPECIFICATION AND PROCESSING PARAMETERS: PS-44560-003.
4) PACKAGING SPECIFICATION:
2 PORT: CONNECTOR PACKAGED IN TRAYS PER MOLEX PACKAGING SPECIFICATION
PK-44560-004
4 PORT: CONNECTOR PACKAGED IN TRAYS PER MOLEX PACKAGING SPECIFICATION
PK-44560-005
5) CONFORMS TO FCC REGULATION PART 68.5 FOR MODULAR JACKS.
6) ENHANCED GROUND TABS SHIELD (OPTION -B-) IS SHOWN IN THIS
DRAWING. (SEE CHART)
7) SEE SHEET (4) OF (4) FOR RECOMMENDED PANEL OPENING AND PCB LAYOUT.
8) TERMINAL LENGTHS MAY BE DIFFERENT FROM TERMINAL TO TERMINAL.
9) THIS PART CONFORMS TO CLASS B REQUIREMENTS OF COSMETIC
SPECIFICATION PS-45499-002 WITH THE EXCEPTION OF THE SURFACE
INDICATED, WHICH IS A CLASS C SURFACE.
10) THIS PRODUCT IS COMPLIANT TO RoHS DIRECTIVE 2002/95/EC AND ELV ANNEX
II OF DIRECTIVE 2000/53/EC.

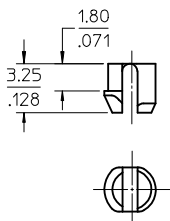
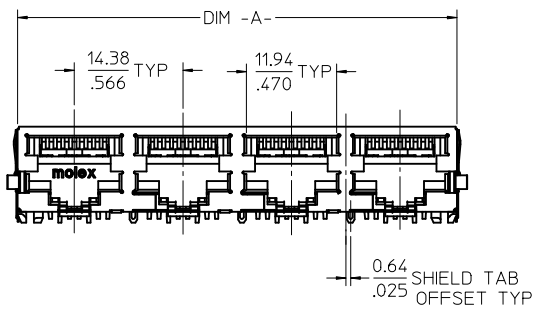
| ASSEMBLY MATERIAL NUMBER | SHIELDING OPTION | NUMBER OF REAR GROUND TABS | NUMBER OF PORTS | DIM -A- | DIM -B- |
|--------------------------|------------------|----------------------------|-----------------|-------------|-------------|
| 445600002 | A | 1 | 2 | 29.44/1.159 | 25.68/1.011 |
| 445600004 | A | 3 | 4 | 58.19/2.291 | 54.43/2.143 |
| 445600012 | B | 1 | 2 | 29.44/1.159 | 25.68/1.011 |
| 445600014 | B | 3 | 4 | 58.19/2.291 | 54.43/2.143 |

| UPDATE NOTES EC NO: UCP2009-2791 DRWIN:JBELL 2009/07/06 CHKD:MKIPPER 2009/07/22 APPR:FSMITH 2009/07/23 G2 | DESCRIPTION QUALITY SYMBOLS ▽=0 ▽=0 | GENERAL TOLERANCES (UNLESS SPECIFIED) | | DIMENSION STYLE MM/IN | | SCALE 2:1 | DESIGN UNITS INCH | THIRD ANGLE PROJECTION | | | | | | | | | | | | | | | | |
|---|--|---|-----|---|----|--------------|----------------------|------------------------|------|------------|-----|-------|------------|------|------|-----------|-----|------|-----------------------------|--|------------------|---|--|--|
| | | <table border="1"> <thead> <tr> <th></th> <th>mm</th> <th>INCH</th> </tr> </thead> <tbody> <tr> <td>4 PLACES ±</td> <td>---</td> <td>±---</td> </tr> <tr> <td>3 PLACES ±</td> <td>---</td> <td>±.012</td> </tr> <tr> <td>2 PLACES ±</td> <td>0.30</td> <td>±---</td> </tr> <tr> <td>1 PLACE ±</td> <td>---</td> <td>±---</td> </tr> </tbody> </table> | | | mm | INCH | 4 PLACES ± | --- | ±--- | 3 PLACES ± | --- | ±.012 | 2 PLACES ± | 0.30 | ±--- | 1 PLACE ± | --- | ±--- | DRAWN BY MKAMAR 00/03/28 | | DATE 00/03/28 | COMPACT GANGED CATEGORY 5E MODJACK MOLEX INCORPORATED DOCUMENT NO. SD-44560-001 SHEET NO. 2 OF 4 | | |
| | | | mm | INCH | | | | | | | | | | | | | | | | | | | | |
| | | 4 PLACES ± | --- | ±--- | | | | | | | | | | | | | | | | | | | | |
| 3 PLACES ± | --- | ±.012 | | | | | | | | | | | | | | | | | | | | | | |
| 2 PLACES ± | 0.30 | ±--- | | | | | | | | | | | | | | | | | | | | | | |
| 1 PLACE ± | --- | ±--- | | | | | | | | | | | | | | | | | | | | | | |
| ANGULAR ±1/2° | | CHECKED BY MKAMAR 00/03/28 | | DATE 00/03/28 | | | | | | | | | | | | | | | | | | | | |
| DRAFT WHERE APPLICABLE MUST REMAIN WITHIN DIMENSIONS | | APPROVED BY JROBERTS 00/03/28 | | DATE 00/03/28 | | | | | | | | | | | | | | | | | | | | |
| SIZE C | | MATERIAL NO. SEE CHART | | THIS DRAWING CONTAINS INFORMATION THAT IS PROPRIETARY TO MOLEX INCORPORATED AND SHOULD NOT BE USED WITHOUT WRITTEN PERMISSION | | | | | | | | | | | | | | | | | | | | |

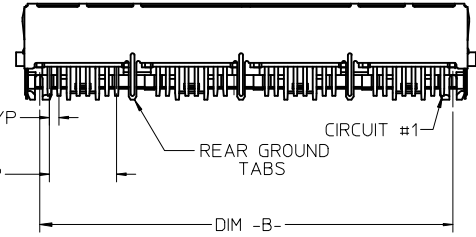
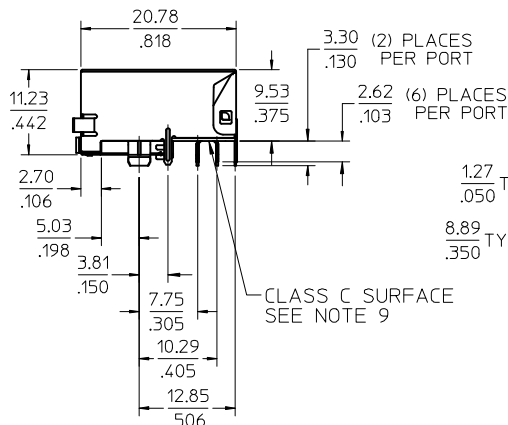


RECOMMENDED
PANEL OPENING
(EACH PORT)
FOR PMC BEZEL ONLY

SHIELDING OPTION -C-
BEZEL GROUND TABS



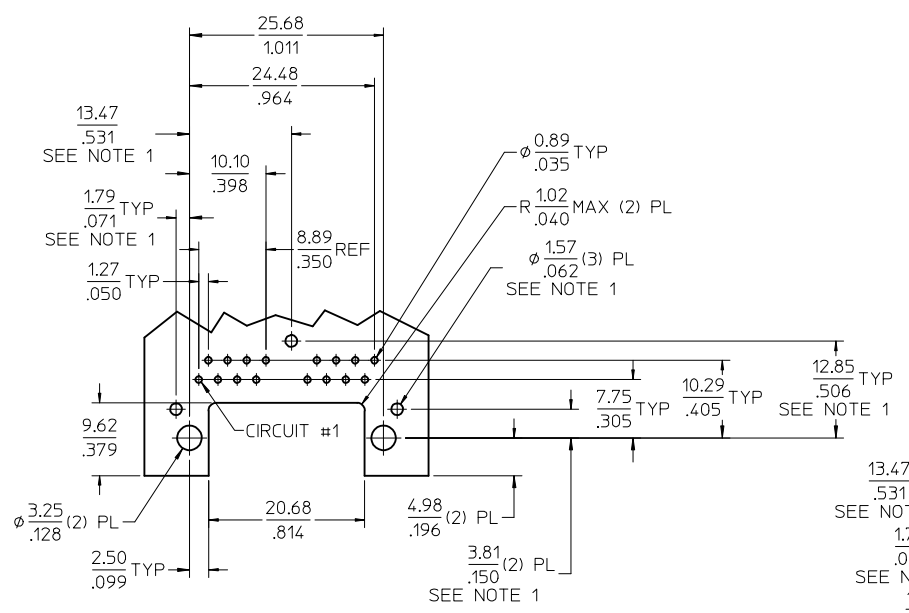
PEG DETAIL
SCALE 4:1



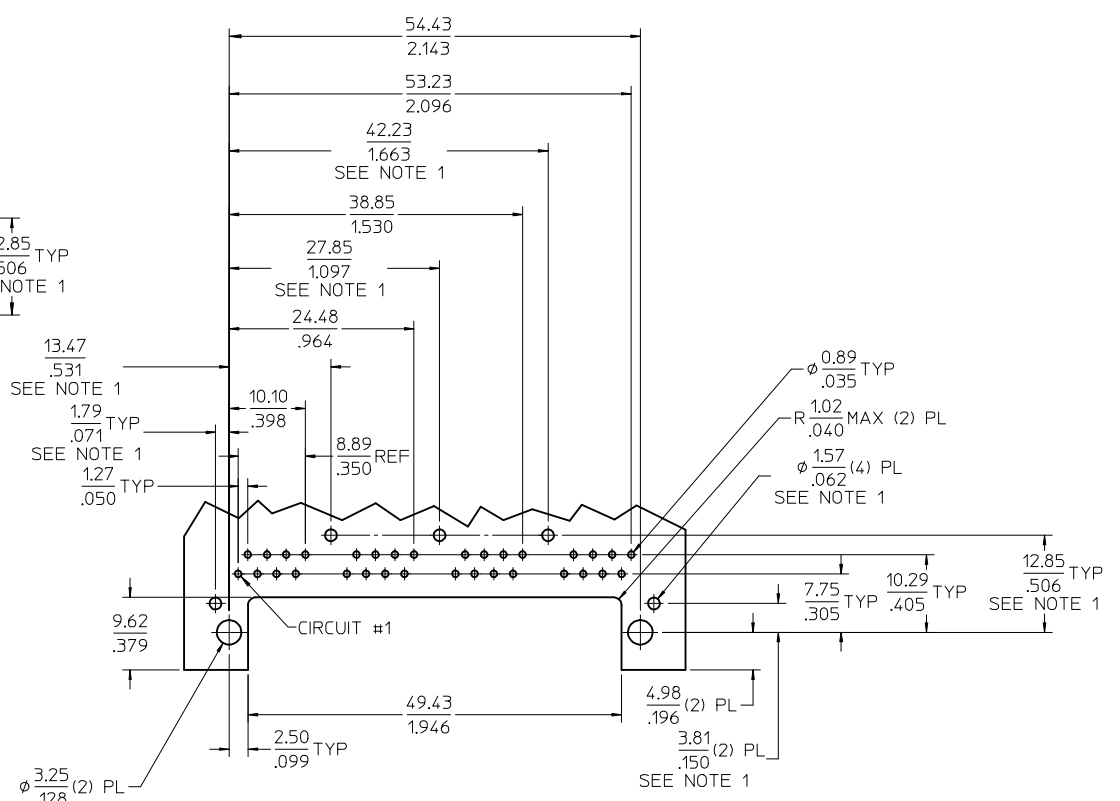
- NOTES:
- MATERIAL:
HOUSING: NYLON(IPA), GLASS FILLED, UL94V-0, COLOR: BLACK
TERMINALS: PHOSPHOR BRONZE
SHIELD: BRASS, .007/(0.18) THICK
 - FINISH:
TERMINALS:
SELECT GOLD IN CONTACT AREA: 50 MICROINCHES (1.27 MICROMETERS) MIN.
SELECT MATTE TIN IN PC TAIL AREA: 100 MICROINCHES (2.54 MICROMETERS) MIN.
WITH OVERALL NICKEL UNDERPLATE: 50 MICROINCHES (1.27 MICROMETERS) MIN.
SHIELD:
100 MICROINCHES (2.54 MICROMETERS) NICKEL OVER 50 MICROINCHES (1.27 MICROMETERS) COPPER UNDERPLATE, PCB GROUND TABS DIPPED IN TIN.
 - PRODUCT SPECIFICATION AND PROCESSING PARAMETERS: PS-44560-003.
 - PACKAGING SPECIFICATION:
2 PORT: CONNECTOR PACKAGED IN TRAYS PER MOLEX PACKAGING SPECIFICATION PK-44560-004
4 PORT: CONNECTOR PACKAGED IN TRAYS PER MOLEX PACKAGING SPECIFICATION PK-44560-005
 - CONFORMS TO FCC REGULATION PART 68.5 FOR MODULAR JACKS.
 - THIS DIMENSION HAS A MAXIMUM OF 34.82/1.371 FOR THE (2) PORT PART AND 63.57/2.503 FOR THE (4) PORT PART WHEN THE JACK IS INSTALLED BEHIND THE BEZEL.
 - SEE SHEET (4) OF (4) FOR RECOMMENDED PCB LAYOUT.
 - TERMINAL LENGTHS MAY BE DIFFERENT FROM TERMINAL TO TERMINAL.
 - THIS PART CONFORMS TO CLASS B REQUIREMENTS OF COSMETIC SPECIFICATION PS-45499-002 WITH THE EXCEPTION OF THE SURFACE INDICATED, WHICH IS A CLASS C SURFACE.
 - THIS PRODUCT IS COMPLIANT TO RoHS DIRECTIVE 2002/95/EC AND ELV ANNEX II OF DIRECTIVE 2000/53/EC.

| ASSEMBLY MATERIAL NUMBER | SHIELDING OPTION | NUMBER OF REAR GROUND TABS | NUMBER OF PORTS | DIM -A- | DIM -B- | DIM -C- |
|--------------------------|------------------|----------------------------|-----------------|-------------|-------------|-------------|
| 445600022 | C | 1 | 2 | 29.44/1.159 | 25.68/1.011 | 32.13/1.265 |
| 445600024 | C | 3 | 4 | 58.19/2.291 | 54.43/2.143 | 60.88/2.397 |

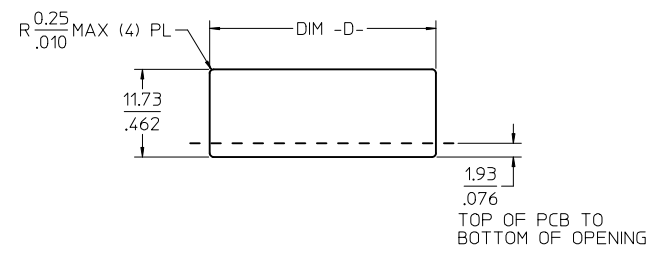
| | | | | | | | | | |
|---|--------------------------------------|--|-----------------------|---|------------------|---|-----------------------------|------------------------|--|
| UPDATE NOTES IEC NO: UCP2009-2791 DRWN:JBELL 2009/07/06 CHKD:MKIPPER 2009/07/22 APPR:FSMITH 2009/07/23 | QUALITY SYMBOLS ▽=0 ▽=0 | GENERAL TOLERANCES (UNLESS SPECIFIED) | | DIMENSION STYLE MM/IN | | SCALE 2:1 | DESIGN UNITS INCH | THIRD ANGLE PROJECTION | |
| | | mm | INCH | DRAWN BY MKAMAR | DATE 00/03/28 | COMPACT GANGED CATEGORY 5E MODJACK MOLEX INCORPORATED DOCUMENT NO. SD-44560-001 SHEET NO. 3 OF 4 | | | |
| | | 4 PLACES ± --- ± --- | 3 PLACES ± --- ± .012 | CHECKED BY MKAMAR | DATE 00/03/28 | | | | |
| | | 2 PLACES ± 0.30 ± --- | 1 PLACE ± --- ± --- | APPROVED BY JROBERTS | DATE 00/03/28 | | | | |
| ANGULAR ±1/2° | | MATERIAL NO. SEE CHART | SIZE C | | | | | | |
| DRAFT WHERE APPLICABLE MUST REMAIN WITHIN DIMENSIONS | | | | THIS DRAWING CONTAINS INFORMATION THAT IS PROPRIETARY TO MOLEX INCORPORATED AND SHOULD NOT BE USED WITHOUT WRITTEN PERMISSION | | | | | |



2 PORT ASSEMBLY
 PCB LAYOUT : COMPONENT SIDE
 RECOMMENDED PCB THICKNESS: 1.57/.062
 TOLERANCE ±.076/.003 UNLESS OTHERWISE SPECIFIED

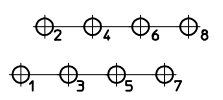


4 PORT ASSEMBLY
 PCB LAYOUT : COMPONENT SIDE
 RECOMMENDED PCB THICKNESS: 1.57/.062
 TOLERANCE ±.076/.003 UNLESS OTHERWISE SPECIFIED



| NUMBER OF PORTS | DIM -D- |
|-----------------|-------------|
| 2 | 30.20/1.189 |
| 4 | 58.95/2.321 |

RECOMMENDED
 PANEL OPENING
 SHIELDING OPTIONS
 A AND B



TYPICAL PC TERMINAL HOLE LAYOUT
 SCALE 5:1

NOTES:
 1. DIMENSIONS REFER TO ASSEMBLIES WITH SHIELDING OPTION

| SEE SHEET 1 EC NO: UCP2009-2791 DRWN:JBELL 2009/07/06 CHKD:MKIPPER 2009/07/22 APPR:FSMITH 2009/07/23 | QUALITY SYMBOLS | GENERAL TOLERANCES (UNLESS SPECIFIED) <table border="1"> <tr> <th></th> <th>mm</th> <th>INCH</th> </tr> <tr> <td>4 PLACES</td> <td>± ---</td> <td>± ---</td> </tr> <tr> <td>3 PLACES</td> <td>± ---</td> <td>± .012</td> </tr> <tr> <td>2 PLACES</td> <td>± 0.30</td> <td>± ---</td> </tr> <tr> <td>1 PLACE</td> <td>± ---</td> <td>± ---</td> </tr> </table> ANGULAR ±1/2° | | mm | INCH | 4 PLACES | ± --- | ± --- | 3 PLACES | ± --- | ± .012 | 2 PLACES | ± 0.30 | ± --- | 1 PLACE | ± --- | ± --- | DIMENSION STYLE | SCALE | DESIGN UNITS | THIRD ANGLE PROJECTION COMPACT GANGED CATEGORY 5E MODJACK MOLEX INCORPORATED |
|---|-----------------|--|--------------|--------------|-----------|----------|-------|-------|----------|-------|--------|----------|--------|-------|---------|-------|-------|-----------------|-------|--------------|---|
| | | | mm | INCH | | | | | | | | | | | | | | | | | |
| | 4 PLACES | | ± --- | ± --- | | | | | | | | | | | | | | | | | |
| | 3 PLACES | | ± --- | ± .012 | | | | | | | | | | | | | | | | | |
| 2 PLACES | ± 0.30 | ± --- | | | | | | | | | | | | | | | | | | | |
| 1 PLACE | ± --- | ± --- | | | | | | | | | | | | | | | | | | | |
| | MM/IN | 2:1 | INCH | | | | | | | | | | | | | | | | | | |
| | DRAWN BY | DATE | TITLE | | | | | | | | | | | | | | | | | | |
| | CHECKED BY | DATE | | | | | | | | | | | | | | | | | | | |
| | APPROVED BY | DATE | | | | | | | | | | | | | | | | | | | |
| | MATERIAL NO. | N/A | DOCUMENT NO. | SD-44560-001 | SHEET NO. | 4 OF 4 | | | | | | | | | | | | | | | |
| | SIZE | THIS DRAWING CONTAINS INFORMATION THAT IS PROPRIETARY TO MOLEX INCORPORATED AND SHOULD NOT BE USED WITHOUT WRITTEN PERMISSION | | | | | | | | | | | | | | | | | | | |