

InGaAs PIN PHOTODIODES

PD-1181

0.5 mm InGaAs PIN Photodiode with TO-46 Package

FEATURES

- ✧ High responsivity for dual windows at 1310 nm and 1550 nm
- ✧ Low dark current
- ✧ Hermetically sealed 3-pin TO-46 metal case
- ✧ Active diameter 0.5 mm

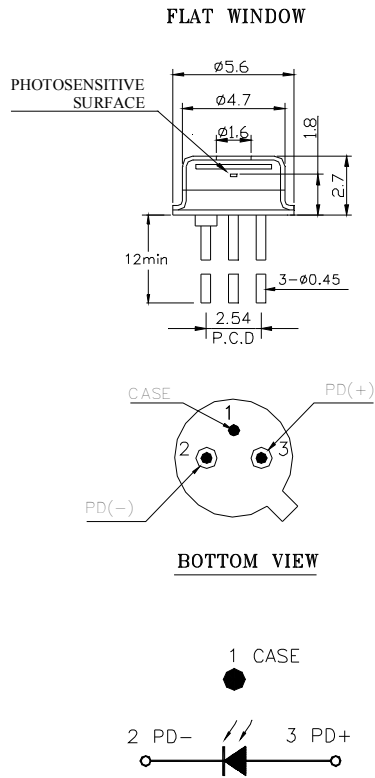
DESCRIPTION

PD-1181 InGaAs Photodiode is suited to receive the light at the wavelength range from 800 nm to 1650 nm. With high reliability, PD-1181 series are the best choice for power monitor application.

ELECTRICAL AND OPTICAL CHARACTERISTICS (T _c =25°C)						
Symbol	Parameter	Test Conditions	Min.	Typ.	Max.	Unit
	Active Diameter			0.5		mm
	Detection Range		800		1650	nm
R	Responsivity	V _R =5V, λ=1300nm	0.85		-	A/W
		V _R =5V, λ=1550nm	0.9	-		
I _{dark}	Dark Current	V _R =5V		1	3	nA
C	Capacitance	V _R =5V		30	50	pF
R _{shunt}	Shunt Resistance		10			MΩ
BW	Bandwidth	V _R =5V	50			MHz

ABSOLUTE MAXIMUM RATINGS (T _c =25 °C)			
Symbol	Parameter	Ratings	Unit
P _o	Input Optical Power	10	mW
V _{RD}	Reverse Voltage	15	V
I _{FD}	Forward Current	10	mA
T _{opr}	Operating Temperature	-40~+85	°C
T _{stg}	Storage Temperature	-40~+85	°C

MECHANICAL DIMENSION (mm) and PIN ASSIGNMENT



- Note:** 1. Specifications subject to change without notice.
 2. Other PIN assignment is available upon request.

ORDER INFORMATION

Part No.: P D - 1 1 8 1

Revision History

Version	Subject	Release Date
1.0	Initial datasheet	2004/4/1
1.1	Add the indication of photosensitive surface	2009/4/9