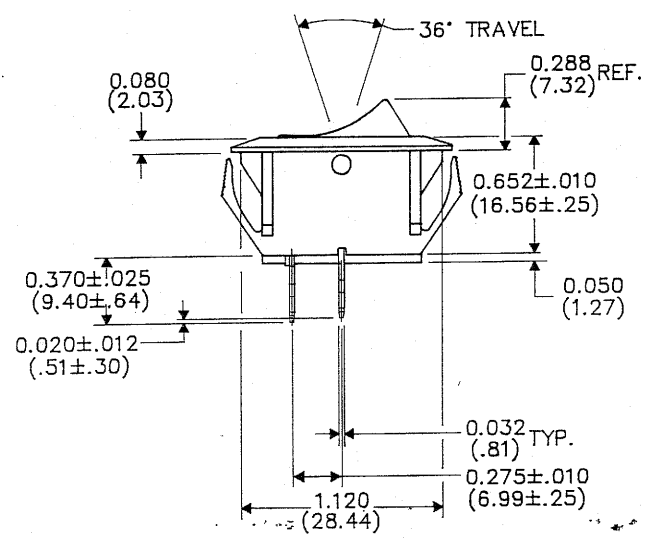
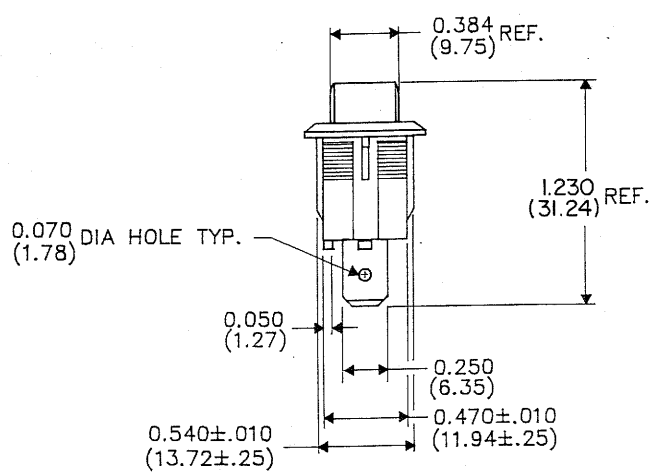
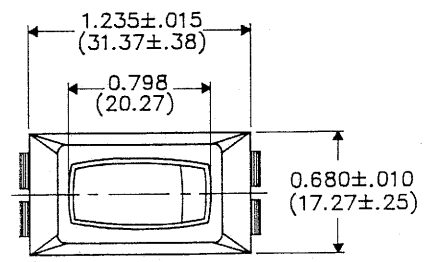
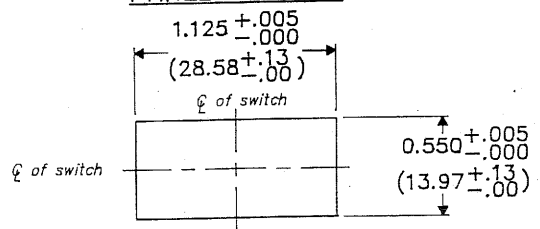


DIMENSIONS IN INCHES (MILLIMETERS)
DO NOT SCALE DRAWING...

Drawing No. **GRS-2011-2000**

PANEL PIERCING



B - FORM - 0
REVISIONS
 RELEASED MAM 4-13-89

CW INDUSTRIES
 Southampton, Pa. 18966

Title **ASSEMBLY DRAWING**
S.P.S.T. ROCKER SWITCH
NON-POLARIZED
1.125 x .550 PANEL

TOLERANCES UNLESS OTHERWISE SPECIFIED
 2 Place decimal $\pm .010$ METRIC
 3 Place decimal $\pm .005$ 1 Place dec. $\pm .25$ MM
 Angles $\pm 1^\circ$ 2 Place dec. $\pm .13$ MM

PDF File Made
 Made for: CW
 Drawn by: MAM 4-14-89
 Checked by: *[Signature]*
 Approval: *[Signature]* 2-6-90

Division **SWITCH**
 Drawing No. **GRS-2011-2000**