

PLEASE CHECK WWW.MOLEX.COM FOR LATEST PART INFORMATION

Part Number: [0956232881](#)
Status: **Active**
Overview: [modular_plugs_jacks](#)
Description: Modular Jack, Vertical, Shielded, 8/8, PCB Thickness .062"

Documents:

[3D Model](#) [Product Specification PS-95623-001 \(PDF\)](#)
[Drawing \(PDF\)](#) [RoHS Certificate of Compliance \(PDF\)](#)
[Application Specification \(PDF\)](#)

Agency Certification

UL E107635

General

Product Family	Modular Jacks/Plugs
Series	95623
Comments	External Shield
Component Type	PCB Jack
Magnetic	No
Overview	modular_plugs_jacks
Performance Category	3
Power over Ethernet (PoE)	N/A
Product Name	RJ45
Physical	
Boot Color	N/A
Color - Resin	Black
Durability (mating cycles max)	500
Flammability	94V-0
Inverted / Top Latch	No
Lightpipes/LEDs	None
Material - Metal	Brass, Phosphor Bronze
Material - Plating Mating	Gold
Material - Plating Termination	Tin
Material - Resin	High Temperature Thermoplastic
Orientation	Vertical (Top Entry)
PCB Locator	Yes
PCB Retention	Yes
PCB Thickness Recommended (in)	0.062 In
PCB Thickness Recommended (mm)	1.57 mm
Packaging Type	Tray
Pitch - Mating Interface (in)	0.050 In
Pitch - Mating Interface (mm)	1.02 mm
Pitch - Term. Interface (in)	0.050 In
Pitch - Term. Interface (mm)	1.27 mm
Plating min: Mating (µin)	120.00, 50.8
Plating min: Mating (µm)	1.27, 3.000
Plating min: Termination (µin)	120.00, 76
Plating min: Termination (µm)	1.9, 3.00
Ports	1
Positions / Loaded Contacts	8/8
Surface Mount Compatible (SMC)	Yes
Temperature Range - Operating	-40°C to +80°C
Termination Interface: Style	Through Hole
Waterproof / Dustproof	No
Wire/Cable Type	N/A

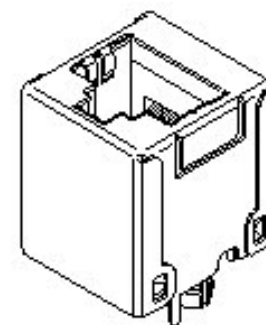


image - Reference only

Series

EU RoHS

**ELV and RoHS
Compliant**
**REACH SVHC
Contains SVHC: No**
**Halogen-Free
Status**

China RoHS



**Need more information on product
environmental compliance?**

Email productcompliance@molex.com
For a multiple part number RoHS Certificate of Compliance, [click here](#)

Please visit the [Contact Us](#) section for any non-product compliance questions.

Search Parts in this Series

[95623Series](#)

Mates With

FCC 68 Plugs

Electrical

Current - Maximum per Contact	1.5A
Grounding to PCB	Yes
Shielded	Yes
Voltage - Maximum	125V AC (RMS)

Solder Process Data

Duration at Max. Process Temperature (seconds)	45
Lead-free Process Capability	Wave Capable (TH only)
Max. Cycles at Max. Process Temperature	3
Process Temperature max. C	260

Material Info**Reference - Drawing Numbers**

Packaging Specification	PK-95123
Product Specification	PS-95623-001
Sales Drawing	SD-95623-001

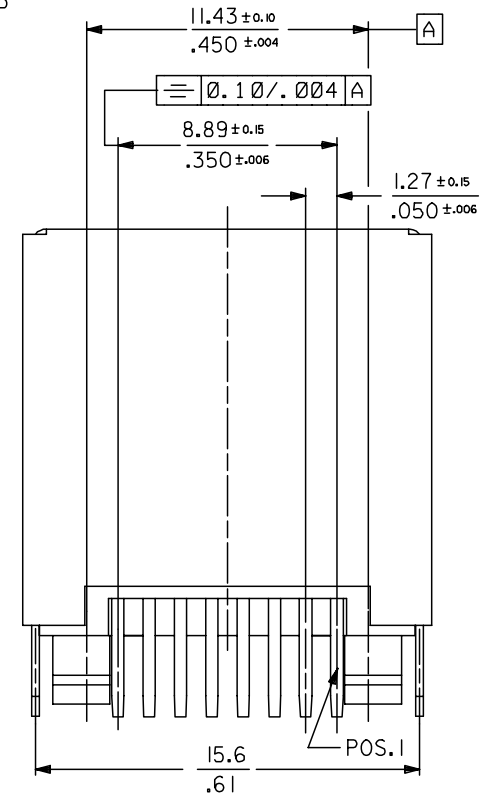
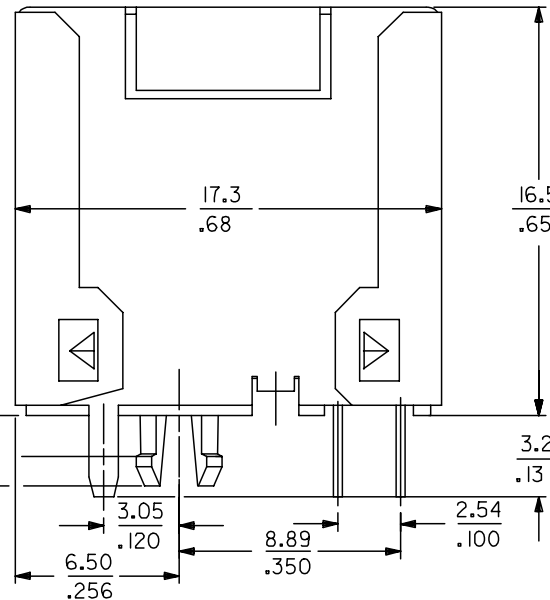
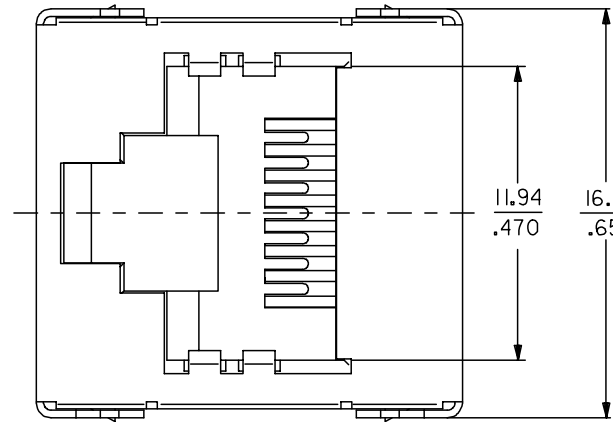
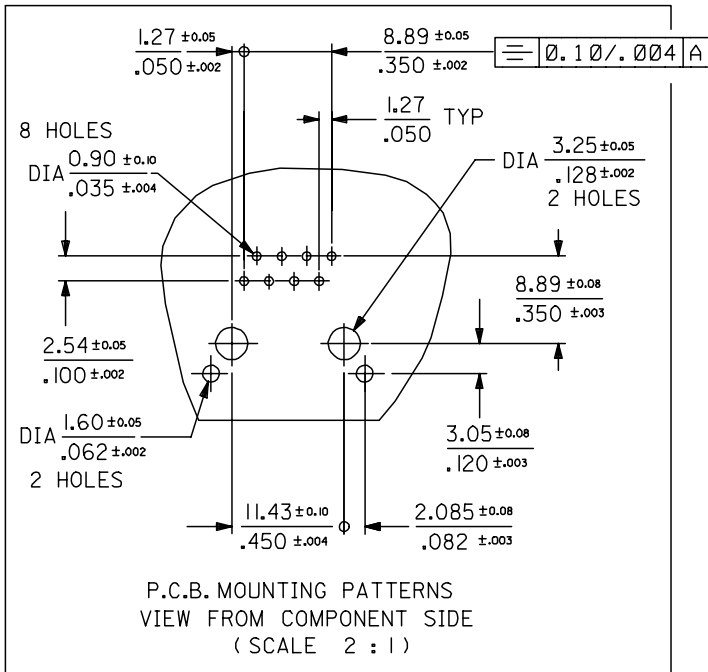
This document was generated on 06/07/2010

PLEASE CHECK WWW.MOLEX.COM FOR LATEST PART INFORMATION

TECHNICAL SPECIFICATIONS:

I- MATERIAL: HOUSING: LCP GLASS FILLED UL 94 V-0
 COLOR : BLACK
 TERMINAL : PHOSPHOR BRONZE PLATED WITH
 0.00127-0.00152/.000050-.000060 GOLD
 IN CONTACT AREA , 0.00190/.000075 MIN
 PURE TIN IN TAIL AREA BOTH OVER
 0.00127/.000050 MIN NICKEL OVERALL
 SHIELD : BRASS PLATED WITH 0.0020/.000078
 MIN TIN

PART NUMBER	TOOLED	PCB THICKNESS
95623-2881	YES	1.57/.062



NOTES :

- 1- JACK FOR MATING WITH F.C.C. 68 PLUGS 95043 MOLEX SERIES.
- 2- PRODUCT SPECIFICATION: MOLEX PS-95622.
- 3- PACKAGING SPECIFICATION: MOLEX PK-95123.
- 4- P.C. BOARD THICKNESS (SEE CHART)

ORIGINAL RELEASE EC NO: E2007-0434 DRWN: D.BYRNES 2006/11/28 CHKD: 2006/11/28 APPR: EOMAHONY 2006/11/30	DESCRIPTION
A	REV

QUALITY SYMBOLS	▽=0 ∇=0
-----------------	------------

GENERAL TOLERANCES (UNLESS SPECIFIED)	DIMENSION STYLE
4 PLACES ± --- ± ---	MM/IN
3 PLACES ± --- ± .010	DRAWN BY DATE
2 PLACES ± 0.25 ± .014	D.BYRNES 2006/11/14
1 PLACE ± 0.35 ± ---	CHECKED BY DATE
ANGULAR ± 1/2°	EOMAHONY 2006/11/15
DRAFT WHERE APPLICABLE MUST REMAIN WITHIN DIMENSIONS	APPROVED BY DATE
	EOMAHONY 2006/11/15
	MATERIAL NO.
	95623-2881
	SIZE
	A3

SCALE	DESIGN UNITS	THIRD ANGLE PROJECTION
5:1	METRIC	☉ □
TITLE		
FULLY SHIELDED TOP ENTRY MODULAR JACK 8 CKTS (THROUGH HOLE VERSION)		
MOLEX INCORPORATED		
DOCUMENT NO.	SHEET NO.	
SD-95623-001	1 OF 1	

THIS DRAWING CONTAINS INFORMATION THAT IS PROPRIETARY TO MOLEX INCORPORATED AND SHOULD NOT BE USED WITHOUT WRITTEN PERMISSION		
---	--	--