

**PLEASE CHECK WWW.MOLEX.COM FOR LATEST PART INFORMATION**

**Part Number:** [0738101210](#)  
**Status:** **Active**  
**Overview:** [hdm](#)  
**Description:** 2.00mm (.079") Pitch HDM® Board-to-Board Midplane Header, Vertical SMC, Press-Fit, Double End Option, Slide On Housing, 144 Circuits

**Documents:**

[Drawing \(PDF\)](#) [RoHS Certificate of Compliance \(PDF\)](#)

**Agency Certification**

CSA LR19980  
 UL E29179

**General**

Product Family Backplane Connectors  
 Series [73810](#)  
 Application Midplane  
 Comments Polar/Guide Version  
 Component Type PCB Header  
 Overview [hdm](#)  
 Product Name HDM®  
 Style N/A

**Physical**

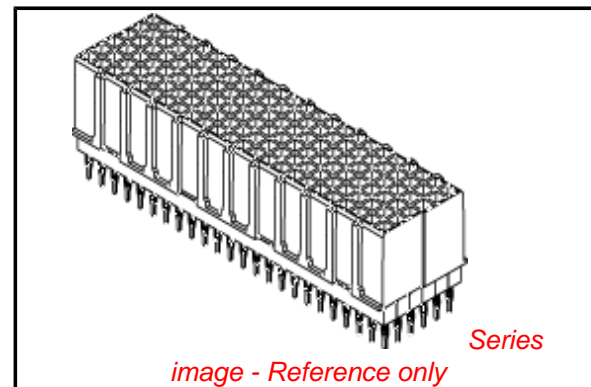
Circuits (Loaded) N/A  
 Circuits (maximum) 144  
 Color - Resin Black  
 Durability (mating cycles max) 250  
 First Mate / Last Break No  
 Flammability 94V-0  
 Guide to Mating Part Yes  
 Keying to Mating Part Yes  
 Material - Metal Stainless Steel  
 Material - Resin High Temperature Thermoplastic  
 Number of Columns 24  
 Number of Pairs Open Pin Field  
 Number of Rows 6  
 Orientation Vertical  
 PC Tail Length (in) 0.000 In  
 PC Tail Length (mm) 0.00 mm  
 PCB Locator No  
 PCB Retention None  
 Packaging Type Tube  
 Pitch - Mating Interface (in) 0.079 In  
 Pitch - Mating Interface (mm) 2.00 mm  
 Polarized to PCB N/A  
 Surface Mount Compatible (SMC) Yes  
 Temperature Range - Operating -55°C to +105°C

**Electrical**

Current - Maximum per Contact 1A  
 Data Rate 1.0 Gbps  
 Real Signals (per 25mm) 0  
 Voltage - Maximum 250V AC

**Solder Process Data**

Lead-free Process Capability Reflow Capable (SMT only)



**EU RoHS**

**China RoHS**

**Compliance Status**

**Not Reviewed**

**REACH SVHC**

Not Reviewed

**Halogen-Free**

**Status**

**Not Reviewed**

**Need more information on product environmental compliance?**

Email [productcompliance@molex.com](mailto:productcompliance@molex.com)  
 For a multiple part number RoHS Certificate of Compliance, [click here](#)

Please visit the [Contact Us](#) section for any non-product compliance questions.

**Search Parts in this Series**

[73810Series](#)

**Mates With**

[73632](#) HDM PLUS® Board-to-Board Daughtercard Receptacle. [73780](#) HDM® Board-to-Board Daughtercard Receptacle

Process Temperature max. C 260

**Material Info**

**Reference - Drawing Numbers**

Sales Drawing SD-73810-001

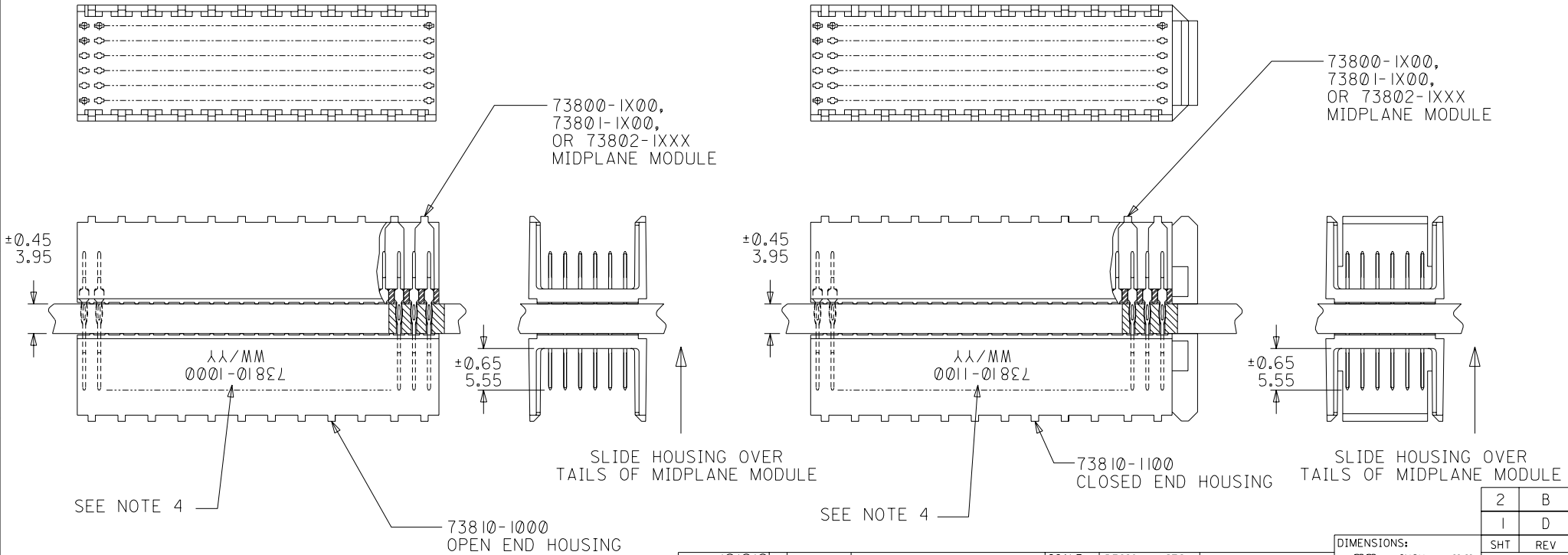
HDM and High Density Metric are trademarks of Amphenol Corporation

This document was generated on 05/14/2010

**PLEASE CHECK [WWW.MOLEX.COM](http://WWW.MOLEX.COM) FOR LATEST PART INFORMATION**

**NOTES:**

- HOUSING MATERIALS: LIQUID CRYSTAL POLYMER (LCP), GLASS-FILLED, UL94V-0, COLOR: BLACK.
- THIS PART CONFORMS TO MOLEX PRODUCT SPECIFICATION PS-73670-9999.
- SEE DRAWINGS SD-73800-001, SD-73801-001, AND SD-73802-001 FOR DIMENSIONAL INFORMATION.
- PARTS MARKED WITH PART NUMBER AND DATE CODE, ON EITHER SIDE, APPROXIMATELY WHERE SHOWN.
- PARTS PACKAGED PER PK-70873-0818.



|   |   |   |  |   |  |                              |  |                           |          |                             |                     |
|---|---|---|--|---|--|------------------------------|--|---------------------------|----------|-----------------------------|---------------------|
| REVISED<br>EC NO. LCP2003-2260<br>DRWN: THOMAS 03/04/25<br>CHK: BINGHAM 03/04/25<br>APPR: REED 03/04/25 | DESCRIPTION<br>MAJOR<br>CRITICAL                        | GENERAL TOLERANCES:<br>(UNLESS SPECIFIED)   |  | SCALE<br>2 : 1  | DESIGN UNITS<br><input checked="" type="checkbox"/> mm <input type="checkbox"/> INCH | THIRD ANGLE<br>PROJECTION    | DIMENSIONS:<br><input type="checkbox"/> mm <input type="checkbox"/> INCH <input checked="" type="checkbox"/> mm ONLY |                           | SHT<br>2 | REV<br>B                    |                     |
|   |   | 4 PLACES ±0.     ±.   | DRAWN BY & DATE<br>JBINGHAM 97/06/19   | TITLE: SALES ASSEMBLY, HDM<br>DOUBLE-END MIDPLANE, 144 POS.<br>SLIDE-ON HOUSING |  |                              |  | REVISION ON<br>CAD ONLY   |          |                             |                     |
|   |   | 3 PLACES ±0.     ±.   | CHECKED BY & DATE<br>SREED 97/06/19    | MOLEX INCORPORATED  |  |                              |  | MATERIAL NO.<br>SEE CHART |          | DRAWING NO.<br>SD-73810-001 | SHEET NO.<br>1 OF 2 |
|   |   | 2 PLACES ±0.05     ±.   | APPROVED BY & DATE<br>CBIXLER 97/06/19 | ANGLAR: ± 1/2°  |  | CAD FILENAME<br>S73810X1.DGN |  | SIZE<br>B                 |          |                             |                     |
| 1 PLACE ±0.10     ±.  | DRAFT WHERE APPLICABLE MUST<br>REMAIN WITHIN DIMENSIONS | THIS DRAWING CONTAINS INFORMATION THAT IS PROPRIETARY TO MOLEX<br>INCORPORATED AND SHOULD NOT BE USED WITHOUT WRITTEN PERMISSION. |  |   |  |                              |  |                           |          |                             |                     |

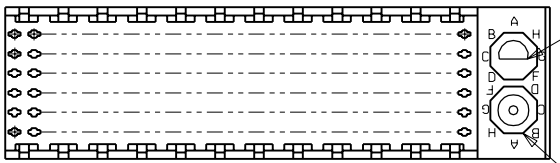
MATERIAL NUMBER ASSIGNMENT

73810- \* \* \* \*

1 = 144-CIRCUIT

0 = OPEN END VERSION  
 1 = CLOSED END VERSION  
 2 = POLAR/GUIDE VERSION

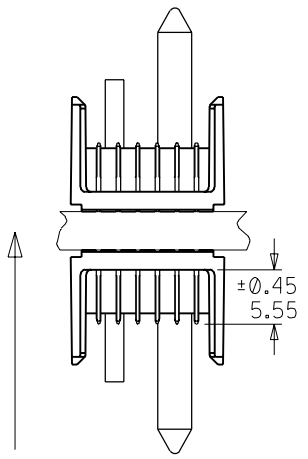
73800-1X00,  
 73801-1X00,  
 OR 73802-1XXX  
 MIDPLANE MODULE



LOCATION B

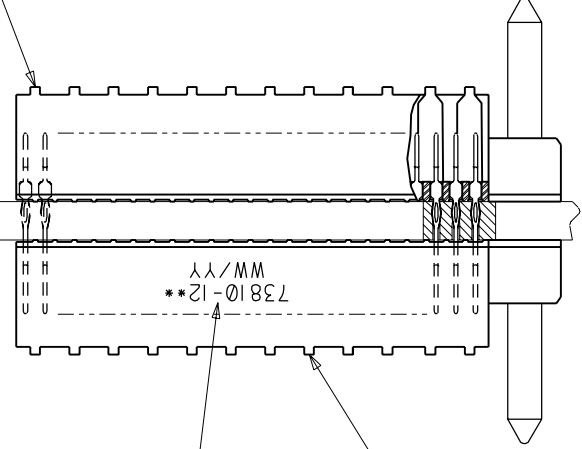
LOCATION A

| NUMBER | GUIDE POST LOCATION | POLAR KEY POSITION |
|--------|---------------------|--------------------|
| 00     | N/A                 | N/A                |
| 01     | B                   | A                  |
| 02     | A                   | B                  |
| 03     | B                   | B                  |
| 04     | A                   | B                  |
| 05     | B                   | C                  |
| 06     | A                   | C                  |
| 07     | B                   | D                  |
| 08     | A                   | D                  |
| 09     | B                   | E                  |
| 10     | A                   | E                  |
| 11     | B                   | F                  |
| 12     | A                   | F                  |
| 13     | B                   | G                  |
| 14     | A                   | G                  |
| 15     | B                   | H                  |
| 16     | A                   | H                  |
| 17     | B                   | N/A                |
| 18     | A                   | N/A                |



SLIDE HOUSING OVER  
 TAILS OF MIDPLANE MODULE

±0.65  
 3.95



SEE NOTE 5

73810-12XX  
 POLAR/GUIDE HOUSING

|   |                                      |   |              |                 |  |  |                                     |  |
|---|--------------------------------------|---|--------------|-----------------|--|--|-------------------------------------|--|
| SEE SHEET 1<br>EC NO. UDT2000-0443<br>DRWN:JBINGHAM 99/11/04<br>CHK: SREED 99/11/04<br>APPR:CBIXLER 99/11/04                      | QUALITY SYMBOLS<br>MAJOR<br>CRITICAL | GENERAL TOLERANCES:<br>(UNLESS SPECIFIED)               |              | SCALE<br>2 : 1  | DESIGN UNITS<br><input checked="" type="checkbox"/> mm <input type="checkbox"/> INCH | DIMENSIONS:<br><input type="checkbox"/> mm <input type="checkbox"/> INCH <input checked="" type="checkbox"/> mm ONLY | SHT<br>REV                          |  |
|   |                                      | 4 PLACES ±0.  | 3 PLACES ±0. | 2 PLACES ±0.05  | 1 PLACE ±0.10  | DRAWN BY & DATE<br>JBINGHAM 97/06/19   | CHECKED BY & DATE<br>SREED 97/06/19 | APPROVED BY & DATE<br>CBIXLER 97/06/19 |
| B   | REV                                  | DRAFT WHERE APPLICABLE MUST<br>REMAIN WITHIN DIMENSIONS |              | ANGULAR: ± 1/2° | CAD FILENAME<br>S73810X2.DGN   | MATERIAL NO.<br>SEE CHART  | DRAWING NO.<br>SD-73810-001         | SHEET NO.<br>2                         |
| THIS DRAWING CONTAINS INFORMATION THAT IS PROPRIETARY TO MOLEX<br>INCORPORATED AND SHOULD NOT BE USED WITHOUT WRITTEN PERMISSION. |                                      |   |              |                 |  | MOLEX MOLEX INCORPORATED   | SIZE<br>B                           |  |