

PLEASE CHECK WWW.MOLEX.COM FOR LATEST PART INFORMATION

Part Number: [0717410002](#)
Status: **Active**
Description: 1.00mm (.039") Pitch Mezzanine Plug, Surface Mount, Dual Row, Vertical Stacking, 84 Circuits, 8.35mm (.329") Unmated Height, with PCB Locator Pegs, with Robotic Placement Metal Cap, 0.25µm (10µ") Gold (Au) Selective Plating, Embossed Tape on R

Documents:

[3D Model](#) [Product Specification PS-71741-9999 \(PDF\)](#)
[Drawing \(PDF\)](#) [RoHS Certificate of Compliance \(PDF\)](#)

Agency Certification

CSA LR19980
 UL E29179

General

Product Family PCB Headers
 Series [71741](#)
 Application Board-to-Board
 Product Name Mezzanine

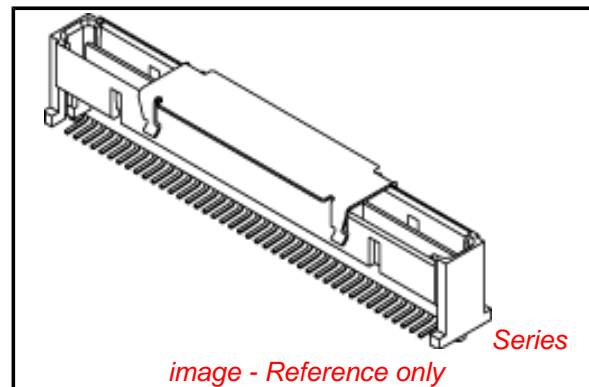
Physical

Breakaway No
 Circuits (Loaded) 84
 Circuits (maximum) 84
 Color - Resin Natural
 Flammability 94V-0
 Glow-Wire Compliant No
 Lock to Mating Part None
 Mated Height (in) 0.394 In, 0.591 In
 Mated Height (mm) 10.00 mm, 15.00 mm
 Material - Metal Phosphor Bronze
 Material - Plating Mating Gold
 Material - Plating Termination Tin
 Material - Resin High Temperature Thermoplastic
 Number of Rows 2
 Orientation Vertical
 PCB Locator Yes
 PCB Retention None
 Packaging Type Embossed Tape on Reel
 Pitch - Mating Interface (in) 0.039 In
 Pitch - Mating Interface (mm) 1.00 mm
 Plating min: Mating (µin) 10
 Plating min: Mating (µm) 0.25
 Plating min: Termination (µin) 40.8
 Plating min: Termination (µm) 1.02
 Robotic Placement Pick and Place Cap
 Shrouded Fully
 Stackable No
 Temperature Range - Operating -55°C to +85°C
 Termination Interface: Style Surface Mount

Electrical

Current - Maximum per Contact 1A
 Voltage - Maximum 100V

Solder Process Data



EU RoHS

ELV and RoHS Compliant
REACH SVHC Contains SVHC: No
Halogen-Free Status

China RoHS



Need more information on product environmental compliance?

Email productcompliance@molex.com
 For a multiple part number RoHS Certificate of Compliance, [click here](#)

Please visit the [Contact Us](#) section for any non-product compliance questions.

Search Parts in this Series

[71741Series](#)

Mates With

[717420](#) for Stack Height 10mm, [717423](#) for Stack Height 15mm

Lead-free Process Capability
Process Temperature max. C

Reflow Capable (SMT only)
260

Material Info

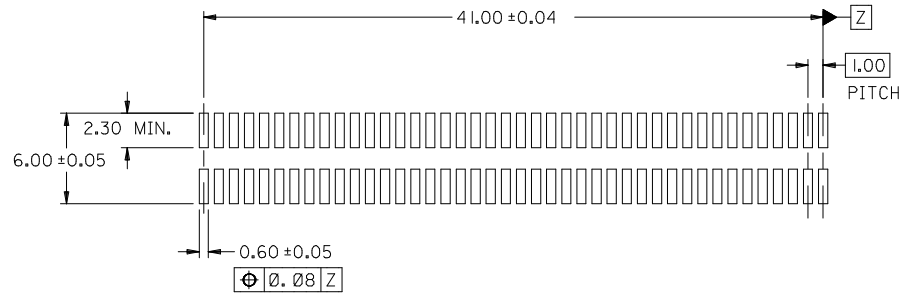
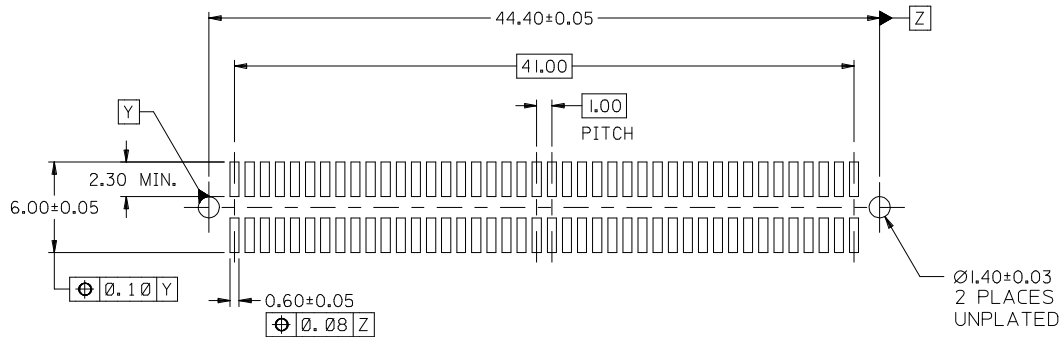
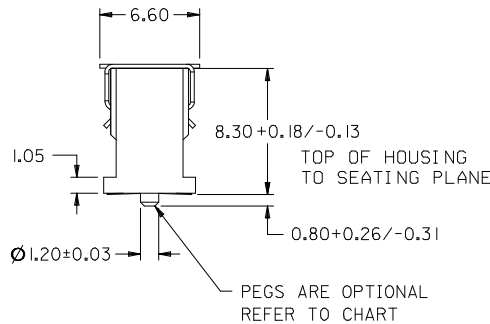
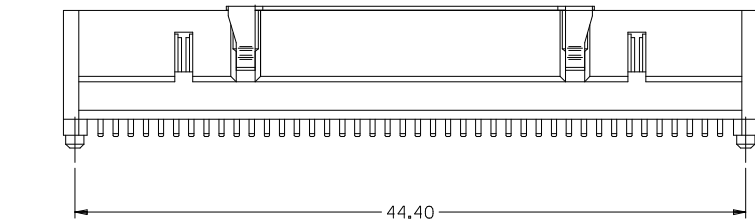
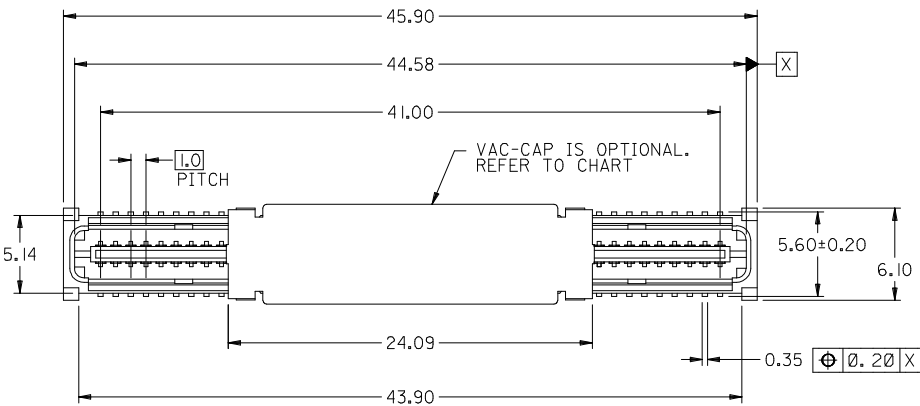
Reference - Drawing Numbers

Product Specification
Sales Drawing

PS-71741-9999
SDA-71741-0***

This document was generated on 03/31/2010

PLEASE CHECK WWW.MOLEX.COM FOR LATEST PART INFORMATION



RECOMMENDED PCB LAYOUT

RECOMMENDED PCB THICKNESS: 1.0±0.1mm MIN.

RECOMMENDED PCB LAYOUT (WITHOUT PEGS)

RECOMMENDED PCB THICKNESS: 1.0±0.1mm MIN.

71741-0004	YES	YES	PK-70873-063	TAPE & REEL	0.76 GOLD
71741-0003	NO	YES	PK-70873-063	TAPE & REEL	0.76 GOLD
71741-0002	YES	YES	PK-70873-063	TAPE & REEL	0.25 GOLD
71741-0001	YES	NO	PK-70873-0607	TUBE	0.25 GOLD
ITEM NUMBER	PEGS	PICK & PLACE CAP	PACKAGING SPEC. NUMBER	PACKAGING TYPE	TERMINAL PLATING

PLATING

0.76 GOLD - 0.76 MICROMETERS MINIMUM GOLD PLATING IN CONTACT AREA, 1.90 MICROMETERS MINIMUM TIN PLATING IN TERMINAL AREA, OVER NICKEL PLATING OVERALL

0.25 GOLD - 0.25 MICROMETERS MINIMUM GOLD PLATING IN CONTACT AREA, 1.00 MICROMETERS MINIMUM TIN PLATING IN TERMINAL AREA, OVER NICKEL PLATING OVERALL

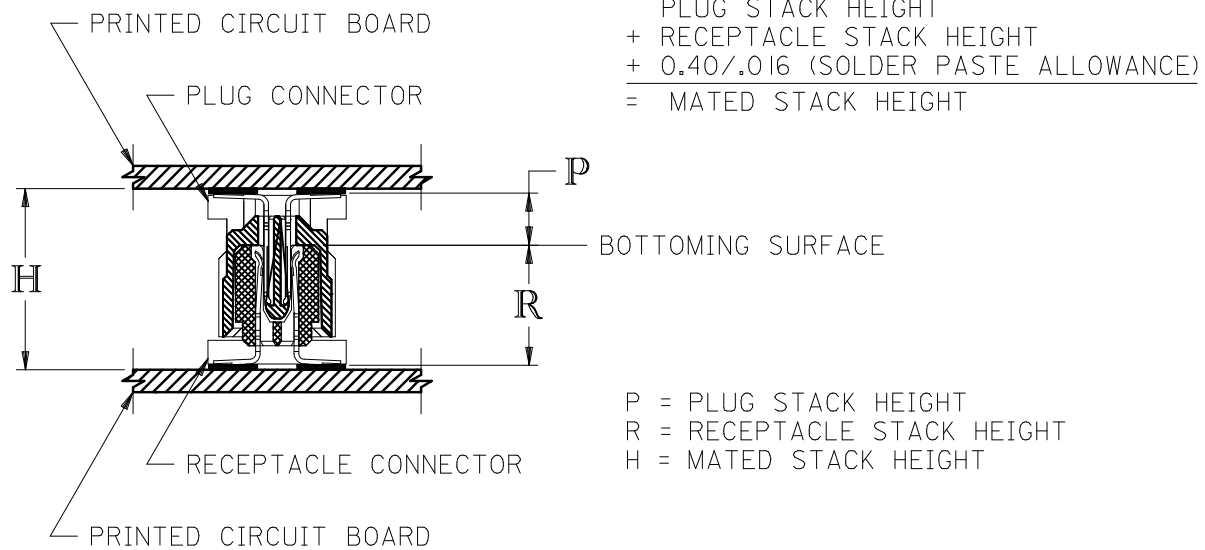
NOTES:

- HOUSING MATERIAL: G.F. THERMOPLASTIC; UL RATING: 94V-0; COLOR: WHITE
TERMINAL MATERIAL: PHOSPHOR BRONZE
VACUUM CAP MATERIAL: STAINLESS STEEL
- COPLANARITY OF SMT TAILS: 0.10 MAX.
- PACKAGING SPECIFICATIONS: REFER TO CHART
- DIMENSIONS ARE IN MILLIMETERS.
- THIS PART, WHEN MATED WITH MOLEX U.S. PART NO. 71742-0*** OR MOLEX JAPAN PART NO. 52841-0848, CONFORMS TO MOLEX PRODUCT SPECIFICATION PS-71741-9999.

ADD 12 MM STACK EC NO: UCP2009-2408 DR: WNBARKER 2009/04/20 CHKD: DMORGAN 2009/04/20 APPR: SMILLER 2009/04/21	QUALITY SYMBOLS	GENERAL TOLERANCES (UNLESS SPECIFIED)	DIMENSION STYLE MM ONLY	SCALE	DESIGN UNITS METRIC	THIRD ANGLE PROJECTION																											
	$\nabla=0$ $\nabla=0$	<table border="1"> <tr> <th></th> <th>mm</th> <th>INCH</th> </tr> <tr> <td>4 PLACES</td> <td>± 0.33</td> <td>± 0.013</td> </tr> <tr> <td>3 PLACES</td> <td>± 0.33</td> <td>± 0.013</td> </tr> <tr> <td>2 PLACES</td> <td>± 0.33</td> <td>± 0.013</td> </tr> <tr> <td>1 PLACE</td> <td>± 0.33</td> <td>± 0.013</td> </tr> </table>		mm	INCH	4 PLACES	± 0.33	± 0.013	3 PLACES	± 0.33	± 0.013	2 PLACES	± 0.33	± 0.013	1 PLACE	± 0.33	± 0.013	<table border="1"> <tr> <td>DRAWN BY</td> <td>DATE</td> </tr> <tr> <td>REED</td> <td>96/07/15</td> </tr> <tr> <td>CHECKED BY</td> <td>DATE</td> </tr> <tr> <td>REED</td> <td>96/07/15</td> </tr> <tr> <td>APPROVED BY</td> <td>DATE</td> </tr> <tr> <td>BIXLER</td> <td>96/07/15</td> </tr> </table>	DRAWN BY	DATE	REED	96/07/15	CHECKED BY	DATE	REED	96/07/15	APPROVED BY	DATE	BIXLER	96/07/15	TITLE		
		mm	INCH																														
	4 PLACES	± 0.33	± 0.013																														
3 PLACES	± 0.33	± 0.013																															
2 PLACES	± 0.33	± 0.013																															
1 PLACE	± 0.33	± 0.013																															
DRAWN BY	DATE																																
REED	96/07/15																																
CHECKED BY	DATE																																
REED	96/07/15																																
APPROVED BY	DATE																																
BIXLER	96/07/15																																
		DRAFT WHERE APPLICABLE MUST REMAIN WITHIN DIMENSIONS	SEE TABLE	MOLEX INCORPORATED	SALES ASSEMBLY, 1 MM 84 CKT, BTB PLUG 4.30 MM STACK HEIGHT																												
			THIS DRAWING CONTAINS INFORMATION THAT IS PROPRIETARY TO MOLEX INCORPORATED AND SHOULD NOT BE USED WITHOUT WRITTEN PERMISSION		SDA-71741-0***	SHEET NO. 1 OF 2																											

RECOMMENDED PLUG/RECEPTACLE COMBINATION FOR
MATED STACK HEIGHT PER EIA STANDARD 700 AAAB

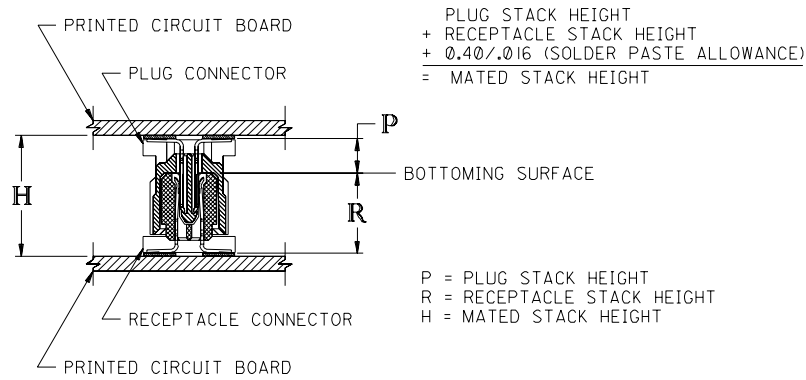
MATED STACK HEIGHT	RECEPTACLE HEIGHT	RECEPTACLE SERIES NO.	PLUG HEIGHT	PLUG SERIES NO.
10.00/.394	5.30/.209	71742-0***	4.30/.169	71741-0***
12.00/.472	7.30/.287	71742-2***		
15.00/.591	10.30/.406	71742-3***		



SEE SHEET 1 EC NO: UCP2009-2408 2009/04/20 DRWN:BBARKER 2009/04/20 CHKD:DMORGAN 2009/04/20 APPR:SMILLER 2009/04/21	QUALITY SYMBOLS	GENERAL TOLERANCES (UNLESS SPECIFIED) <table border="1"> <thead> <tr> <th></th> <th>mm</th> <th>INCH</th> </tr> </thead> <tbody> <tr> <td>4 PLACES</td> <td>± .005</td> <td>± .0002</td> </tr> <tr> <td>3 PLACES</td> <td>± .008</td> <td>± .0003</td> </tr> <tr> <td>2 PLACES</td> <td>± 0.015</td> <td>± .0005</td> </tr> <tr> <td>1 PLACE</td> <td>± 0.030</td> <td>± .0010</td> </tr> </tbody> </table> ANGULAR ±1/2°		mm	INCH	4 PLACES	± .005	± .0002	3 PLACES	± .008	± .0003	2 PLACES	± 0.015	± .0005	1 PLACE	± 0.030	± .0010	DIMENSION STYLE MM ONLY	SCALE 1:1	DESIGN UNITS METRIC	THIRD ANGLE PROJECTION
			mm	INCH																	
	4 PLACES		± .005	± .0002																	
	3 PLACES		± .008	± .0003																	
2 PLACES	± 0.015	± .0005																			
1 PLACE	± 0.030	± .0010																			
▽=0	DRAWN BY REED	DATE 96/07/15	TITLE SALES ASSEMBLY, 1 MM 84 CKT, BTB PLUG 4.30 MM STACK HEIGHT																		
▽=0	CHECKED BY REED	DATE 96/07/15	MOLEX INCORPORATED																		
	APPROVED BY BIXLER	DATE 96/07/15	DOCUMENT NO. SDA-71741-0***																		
	DRAFT WHERE APPLICABLE MUST REMAIN WITHIN DIMENSIONS		SIZE C	THIS DRAWING CONTAINS INFORMATION THAT IS PROPRIETARY TO MOLEX INCORPORATED AND SHOULD NOT BE USED WITHOUT WRITTEN PERMISSION																	

RECOMMENDED PLUG/RECEPTACLE COMBINATION FOR
MATED STACK HEIGHT PER EIA STANDARD 700 AAAB

MATED STACK HEIGHT	RECEPTACLE HEIGHT	RECEPTACLE SERIES NO.	PLUG HEIGHT	PLUG SERIES NO.
10.00/.394	5.30/.209	71742-0***	4.30/.169	71741-0***
15.00/.591	10.30/.406	71742-3***	4.30/.169	71741-0***



METRIC

REVISE ONLY ON CAD SYSTEM

UNLESS OTHERWISE SPECIFIED
TOLERANCES: ANGULAR ± 1/2°

	INCH	METRIC
3 PLACE	± ----	----
2 PLACE	± ----	± ----
1 PLACE	----	± ----

DRAFT WHERE APPLICABLE MUST
REMAIN WITHIN DIMENSIONS

TITLE
SALES ASSY, 1.0mm 84 CKT.
BOARD-TO-BOARD PLUG
4.30/.169 STACK HEIGHT

MOLEX INCORPORATED
L15LEJLL 60532 U.S.A.

PART NO. SHEET NO. DATE
SEE SHT 1 2 98/12/28

DRWG. NO. SDA-71741-0***

DRWG. BY: KAS
APP'D BY: DJB
CHK'D BY: KAS
SCALE: NONE

FILE NAME: S717410.DGN
THIS DRAWING CONTAINS INFORMATION THAT IS PROPRIETARY TO MOLEX INC. AND SHOULD NOT BE USED WITHOUT WRITTEN PERMISSION.
DIV: CPP
SIZE: C

LTR.	REVISIONS	LTR.	REVISIONS
		D	SEE SHEET 1