

PLEASE CHECK WWW.MOLEX.COM FOR LATEST PART INFORMATION

Part Number: [0039014051](#)
Status: **Active**
Overview: [minifit_jr](#)
Description: 4.20mm (.165") Pitch Mini-Fit Jr.™ Receptacle Housing, Single Row, PA Polyamide Nylon 6/6, UL 94V-0, 5 Circuits

Documents:

[3D Model](#) [Product Specification PS-5556-001 \(PDF\)](#)
[Drawing \(PDF\)](#) [RoHS Certificate of Compliance \(PDF\)](#)
[Test Summary \(PDF\)](#)

Agency Certification

CSA	LR19980
TUV	R72081037
UL	E29179

General

Product Family	Crimp Housings
Series	5557
Comments	Current = 13A max. per circuit when header is mated to a receptacle loaded with 45750 series terminals crimped to 16 AWG wire. . See Molex product specification PS-45750-001 for additional current de-rating information.. See Molex product specification PS-5556-001 for additional current de-rating information.
Overview	minifit_jr
Product Name	Mini-Fit Jr.™

Physical

Breakaway	No
Circuits (maximum)	5
Color - Resin	Natural (White)
Flammability	94V-0
Gender	Female
Glow-Wire Compliant	No
Keying to Mating Part	None
Lock to Mating Part	Yes
Material - Resin	Nylon
Number of Rows	1
Packaging Type	Bag
Panel Mount	No
Pitch - Mating Interface (in)	0.165 In
Pitch - Mating Interface (mm)	4.20 mm
Pitch - Term. Interface (in)	0.165 In
Pitch - Term. Interface (mm)	4.20 mm
Polarized to Mating Part	Yes
Stackable	No
Temperature Range - Operating	-40°C to +105°C

Electrical

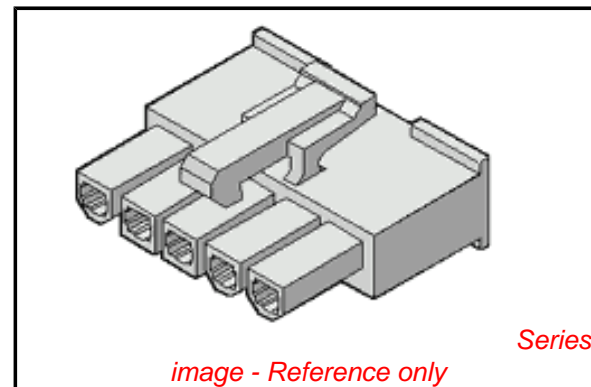
Current - Maximum per Contact	13A
-------------------------------	-----

Material Info

Old Part Number	5557-05R2-210
-----------------	---------------

Reference - Drawing Numbers

Product Specification	PS-5556-001
-----------------------	-------------



EU RoHS

ELV and RoHS Compliant
REACH SVHC
 Not Reviewed
Halogen-Free Status

China RoHS



Need more information on product environmental compliance?

Email productcompliance@molex.com
 For a multiple part number RoHS Certificate of Compliance, [click here](#)

Please visit the [Contact Us](#) section for any non-product compliance questions.

Search Parts in this Series

[5557Series](#)

Mates With

[39-01-4053](#) Panel Mount Plug, [39-01-4057](#) Free Hanging Plug, [39-30-2056](#) Vertical Header, [39-30-2058](#) Vertical Header, [39-30-3056](#) Right Angle Header

Use With

[44476](#) Mini-Fit HCS™ Female Crimp Terminals. [45750](#) Mini-Fit Plus HCS™ Female Crimp Terminals. [5556](#) Mini-Fit Jr.™ Female Crimp Terminals. [444851211](#) Mini-Fit® High Cycle Female Crimp Terminal

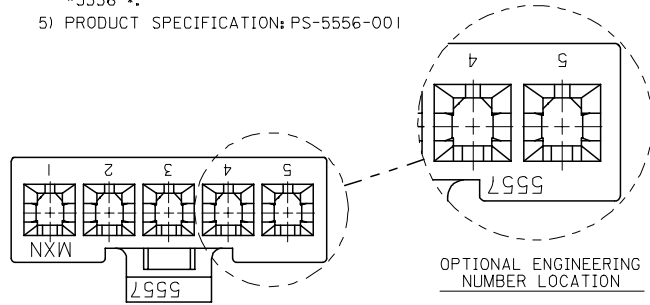
This document was generated on 05/19/2010

PLEASE CHECK WWW.MOLEX.COM FOR LATEST PART INFORMATION

13 12 11 10 9 8 7 6 5 4 3 2 1

NOTES:

- 1) MATERIAL:
 BLANK: NYLON 6/6, 94V-2, COLOR: NATURAL.
 210 : NYLON 6/6, 94V-0, COLOR: NATURAL.
 210-BL : NYLON 6/6, 94V-0, COLOR: BLACK.
- 2) PART MATES WITH MOLEX PLUG #5559-*, VERTICAL HEADER #5566-*, AND RIGHT-ANGLE HEADER #5569-*.
- 3) PART IS DESIGNED IN METRIC.
- 4) PART IS FOR USE WITH MOLEX FEMALE TERMINAL #5556-*.
- 5) PRODUCT SPECIFICATION: PS-5556-001



OPTIONAL ENGINEERING NUMBER LOCATION

CKT SIZE	DIM A
2	.378 (9.60)
4	.709 (18.00)
5	.874 (22.20)
6	1.039 (26.40)
7	1.205 (30.60)
8	1.370 (34.80)
9	1.535 (39.00)
10	1.701 (43.20)
11	1.866 (47.40)
12	2.031 (51.60)

PART NUMBER	ENG. NUMBER	CKT. SIZE	MATERIAL (SEE NOTE 1.)
39-01-4020	5557-02R2	2	94V-2
39-01-4021	5557-02R2-210	2	94V-0
39-01-4040	5557-04R2	4	94V-2
39-01-4041	5557-04R2-210	4	94V-0
39-01-4050	5557-05R2	5	94V-2
39-01-4051	5557-05R2-210	5	94V-0
50-30-4447	5557-05R2-210-BL	5	94V-0
39-01-4060	5557-06R2	6	94V-2
39-01-4061	5557-06R2-210	6	94V-0
39-01-4070	5557-07R2	7	94V-2
39-01-4071	5557-07R2-210	7	94V-0
39-01-4080	5557-08R2	8	94V-2
39-01-4081	5557-08R2-210	8	94V-0
39-01-4090	5557-09R2	9	94V-2
39-01-4091	5557-09R2-210	9	94V-0
39-01-4100	5557-10R2	10	94V-2
39-01-4101	5557-10R2-210	10	94V-0
39-01-4110	5557-11R2	11	94V-2
39-01-4111	5557-11R2-210	11	94V-0
39-01-4120	5557-12R2	12	94V-2
39-01-4121	5557-12R2-210	12	94V-0

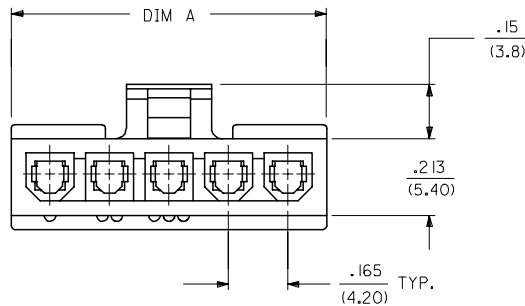
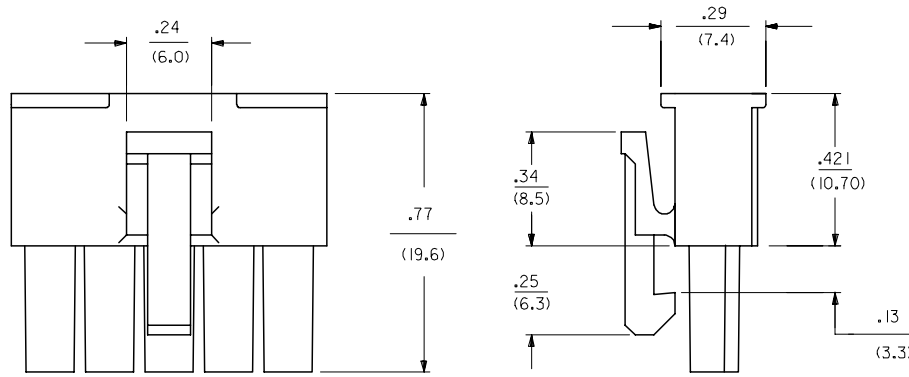
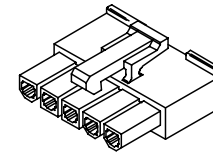
LEGEND:

CKT. SIZE _____ 5557-*** R2-***-***
 (02, 04-12)

RECEPTACLE _____
 (SINGLE ROW)

MATERIAL OPTION: _____
 (SEE NOTE 1)

COLOR: _____
 BLANK = NATURAL
 BL = BLACK



ADD'D 5557-05R2-210-BL EC NO: UICP2006-0276 DRAWN/DONE 2005/08/09 CHK'D: GPOLGAR 2005/08/09 APPR: ICOMERCJ 2005/08/11 REV DESCRIPTION	QUALITY SYMBOLS	GENERAL TOLERANCES (UNLESS SPECIFIED)	DIMENSION STYLE	SCALE	DESIGN UNITS	THIRD ANGLE PROJECTION															
	$\nabla=0$ $\nabla=0$	<table border="1"> <thead> <tr> <th></th> <th>mm</th> <th>INCH</th> </tr> </thead> <tbody> <tr><td>4 PLACES</td><td>± .010</td><td>± .0004</td></tr> <tr><td>3 PLACES</td><td>± .015</td><td>± .0006</td></tr> <tr><td>2 PLACES</td><td>± .025</td><td>± .0010</td></tr> <tr><td>1 PLACE</td><td>± .038</td><td>± .0015</td></tr> </tbody> </table>		mm	INCH	4 PLACES	± .010	± .0004	3 PLACES	± .015	± .0006	2 PLACES	± .025	± .0010	1 PLACE	± .038	± .0015	IN/MM	4:1	INCH	
		mm	INCH																		
	4 PLACES	± .010	± .0004																		
3 PLACES	± .015	± .0006																			
2 PLACES	± .025	± .0010																			
1 PLACE	± .038	± .0015																			
		DRAWN BY DATE	TITLE																		
		KSS 2/15/89	MINI-FIT JR. RECEPTACLE (SINGLE ROW)																		
		CHECKED BY DATE	MATERIAL OPTION																		
		RJF 2/15/89	SEE CHART																		
		APPROVED BY DATE	MATERIAL NO.																		
		RAS 2/15/89	SD-5557-NR2*																		
			DOCUMENT NO.																		
			SHEET NO.																		
			1 OF 1																		

12 11 10 9 8 7 6 5 4 3 2 1