

**TITLE**  
**INDUCTOR, 16 mH**  
**POTS LOW PASS FILTER**

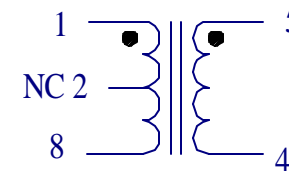
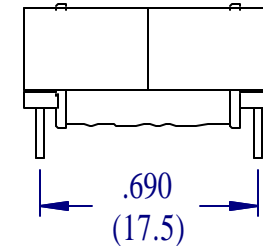
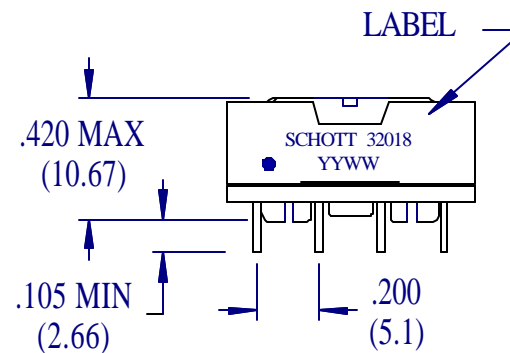
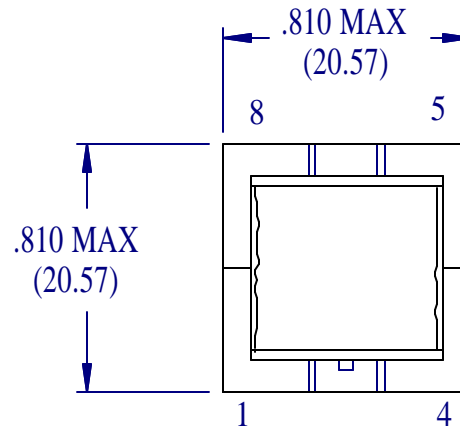
**SCHOTT**  
 CORPORATION  
 1000 PARKERS LAKE ROAD  
 WAYZATA, MN 55391

PART NUMBER  
**32018**  
 REV 2 PAGE 1 END

**SPECIFICATIONS**  
 TEMPERATURE CLASS 130°C

1. INDUCTANCE: @ 1Vrms, 10 kHz  
 @ 0 mAdc 1-8), (5-4) = 15.2 to 16.8 mH  
 @ 100 mAdc 1-8), (5-4) = 15.2 to 16.8 mH  
 @ 0 mAdc 1=8 = 5-4 within 1%
2. IWC: @ 0.1Vrms, 100 kHz,  
 1-5 = 250 pF MAX
3. TURNS RATIO: 1-8 : 5-4 = 1 : 1 ± 1%
4. DC RESISTANCE: OHMS  
 1-8 = 5-4 = 10.7 MAX
5. DIELECTRIC STRENGTH: 850Vdc, 1 minute  
 (1000 Vdc, 1 second Schott Production test)  
 1 to 5 and 1&5 to core

inches  
 (mm)  
 PINS: .024 SQ.  
 (0.60)



TOLERANCES	2 PLACE	3 PLACE	ANGLE
UNLESS OTHERWISE NOTED	+ .02	+ .005	+ °