

**PLEASE CHECK WWW.MOLEX.COM FOR LATEST PART INFORMATION**

**Part Number:** **0197244000**  
**Status:** **Active**  
**Description:** Krimptite™ Snap Plug for 14-18 AWG Wire, Open Barrel Strip, Unplated, Fits Diameter 3.96mm (.156")

**Documents:**

[Drawing \(PDF\)](#) [RoHS Certificate of Compliance \(PDF\)](#)



**General**

Product Family	Quick Disconnects
Series	<u>19724</u>
Comments	Open Barrel
Crimp Quality Equipment	Yes
Product Name	Krimptite™
Type	Snap Plug

**Physical**

Barrel Type	Open
Gender	Male
Glow-Wire Compliant	No
Insulation	None
Lock to Mating Part	None
Material - Metal	Brass
Orientation	Straight
Packaging Type	Reel
Tab Thickness	N/A
Tab Width	N/A
Termination Interface: Style	Crimp or Compression
Wire Insulation Diameter	N/A
Wire Size AWG	14, 16, 18
Wire Size mm²	0.96 - 2.60

**Electrical**

Voltage - Maximum	N/A
-------------------	-----

**Material Info**

**Reference - Drawing Numbers**

Sales Drawing	SD-19724-001
---------------	--------------

**EU RoHS**

**ELV and RoHS**

**Compliant**

**REACH SVHC**

Not Reviewed

**Halogen-Free**

**Status**

**Not Reviewed**

**China RoHS**



**Need more information on product environmental compliance?**

Email [productcompliance@molex.com](mailto:productcompliance@molex.com)  
 For a multiple part number RoHS Certificate of Compliance, [click here](#)

Please visit the [Contact Us](#) section for any non-product compliance questions.

**Search Parts in this Series**

19724Series

**Application Tooling | FAQ**

*Tooling specifications and manuals are found by selecting the products below.*

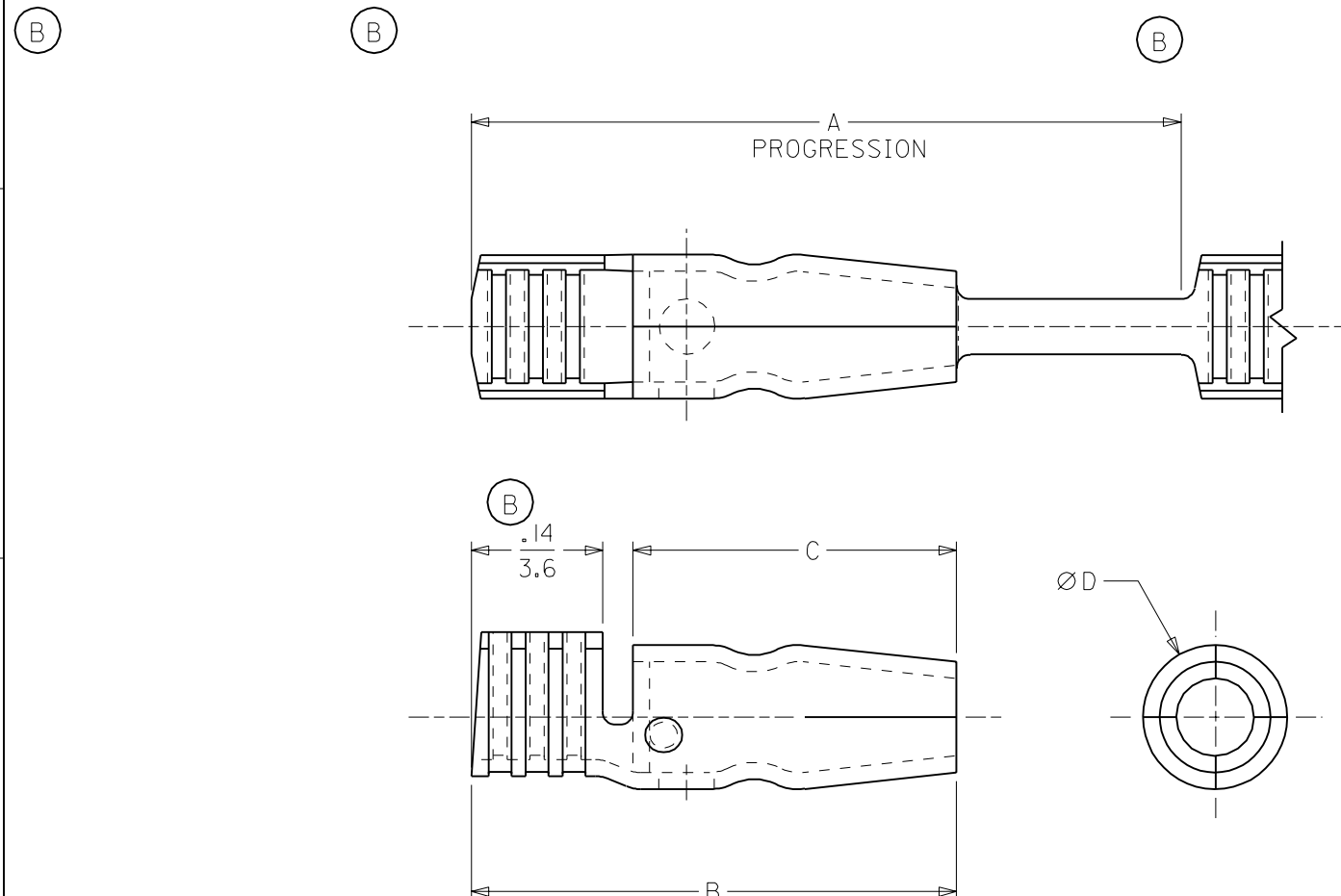
*Crimp Height Specifications are then contained in the Application Tooling Specification document.*

**Global**

<b>Description</b>	<b>Product #</b>
--------------------	------------------

Rear Fead Mini-Mac Applicator for Krimptite™ Snap Male Plug Terminals, 14-18 AWG	<u>0638026900</u>
--	-------------------

MATERIAL NUMBER	ENG. NUMBER	DESCRIPTION	FITS RECEPT. DIAMETER.	A	B	C	D
197244002	19724-4002	PLATED	.156/(3.96)	.76/(19.3)	.52/(13.3)	.35/(8.9)	.156/(3.96)
197244202	19724-4202	PLATED	.180/(4.57)	.83/(21.2)	.64/(16.4)	.44/(11.2)	.180/(4.57)
197244000	19724-4000	UNPLATED	.156/(3.96)	.76/(19.3)	.52/(13.3)	.35/(8.9)	.156/(3.96)
197244200	19724-4200	UNPLATED	.180/(4.57)	.83/(21.2)	.64/(16.4)	.44/(11.2)	.180/(4.57)



SALES DRAWING

NOTE(S):

- MATERIAL: BRASS
- MATERIAL THICKNESS: .016/(0.41)
- PLATING: ELECTRO-TIN

ADDED UNPLT NO'S  
 EC NO. ETC2003-0162  
 DRWN: DLM 02/12/20  
 CHK: SB 02/12/20  
 APPR: RWD 02/12/20

REV	DESCRIPTION
B	

QUALITY SYMBOLS	GENERAL TOLERANCES: (UNLESS SPECIFIED)
MAJOR ▼ = 0	mm INCH
CRITICAL ∇ = 0	4 PLACES ±0.----- ±.-----
	3 PLACES ±0.--- ±.005
	2 PLACES ±0.13 ±.010
	1 PLACE ±0.25 ±.---
	ANGULAR: ±1/2°
	DRAFT WHERE APPLICABLE MUST REMAIN WITHIN DIMENSIONS

SCALE	DESIGN UNITS	DRAWN BY & DATE
5:1	<input type="checkbox"/> mm <input checked="" type="checkbox"/> INCH	DLM 02/12/20
		CHECKED BY & DATE
		SB 02/12/20
		APPROVED BY & DATE
		RWD 02/12/20
	CAD FILENAME	MATERIAL NO.
	SD19724001.DGN	(SEE CHART)

DIMENSIONS:		SHT	REV
<input type="checkbox"/> mm	<input checked="" type="checkbox"/> INCH		
<input type="checkbox"/> INCH	<input type="checkbox"/> mm		
<input type="checkbox"/> ONLY			
THIRD ANGLE PROJECTION			
TITLE:			
KRIPTITE SNAP PLUG			
18-14 AWG, OPEN BARREL			
CHAIN STAMPED			
MOLEX INCORPORATED			
DRAWING NO.	SHEET NO.		
SD-19724-001	1 OF 1		
THIS DRAWING CONTAINS INFORMATION THAT IS PROPRIETARY TO MOLEX INCORPORATED AND SHOULD NOT BE USED WITHOUT WRITTEN PERMISSION.			
	SIZE A		