

**PLEASE CHECK WWW.MOLEX.COM FOR LATEST PART INFORMATION**

**Part Number:** [0877159907](#)

**Status:** **Active**

**Overview:**

**Description:** 1.00mm (.039") Pitch, PCI Express\* Connector, 98 Circuits, Nylon 4/6 Glass-filled, Black Housing, Phosphor Bronze, 0.38µm (15µ") Gold (Au) Plating, with Plastic Pegs, 3.00mm (.118") Solder tail, Connector Link Length 89.00mm (3.504"), Lead Free

**Agency Certification**

CSA	LR19980
UL	E29179

**General**

Product Family	Edge Card Connectors
Series	87715
Comments	PCI 16 lanes
Component Type	Edgecard to PCB
Overview	pci_express_card_edge_connector
Product Name	PCI Express*

**Physical**

Circuits (Loaded)	98
Circuits (maximum)	98
Circuits Detail	All Signal
Durability (mating cycles max)	50
Entry Angle	Vertical (Top Entry)
Flammability	94V-0
Keying to Mating Part	Yes
Material - Plating Mating	Gold
Material - Plating Termination	Tin
PC Tail Length (in)	0.118 In
PC Tail Length (mm)	3.00 mm
PCB Locator	Yes
PCB Retention	Yes
PCB Thickness Recommended (in)	0.093 In
PCB Thickness Recommended (mm)	2.40 mm
Packaging Type	Tray
Pitch - Mating Interface (in)	0.039 In
Pitch - Mating Interface (mm)	1.00 mm
Pitch - Term. Interface (in)	0.039 In
Pitch - Term. Interface (mm)	1.00 mm
Plating min: Mating (µin)	15
Plating min: Mating (µm)	0.38
Polarized to Mating Part	Yes
Temperature Range - Operating	-55°C to +85°C
Termination Interface: Style	Through Hole

**Electrical**

Current - Maximum per Contact	1.1A
Voltage - Maximum	50V AC (RMS)/DC

**Solder Process Data**

Lead-free Process Capability	Wave Capable (TH only)
Process Temperature max. C	245

**Material Info**

**Reference - Drawing Numbers**

**EU RoHS**

**ELV and RoHS  
Compliant**

**REACH SVHC**

Not Reviewed

**Halogen-Free**

**Status**

**Not Reviewed**

**China RoHS**



**Need more information on product  
environmental compliance?**

Email [productcompliance@molex.com](mailto:productcompliance@molex.com)  
For a multiple part number RoHS Certificate of  
Compliance, [click here](#)

Please visit the [Contact Us](#) section for any  
non-product compliance questions.

**Search Parts in this Series**

87715Series

**Mates With**

PCI Express Card

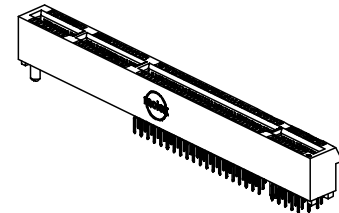
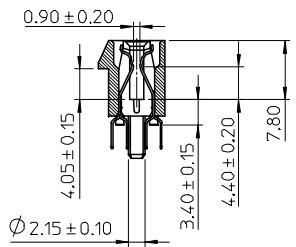
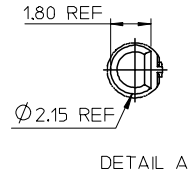
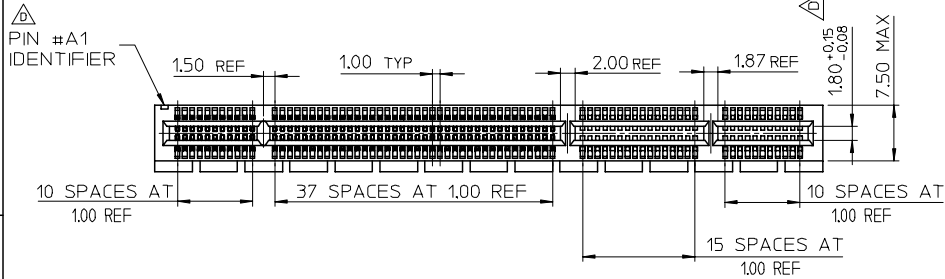
Packaging Specification  
Sales Drawing

PK-87715-208  
SD-87715-208

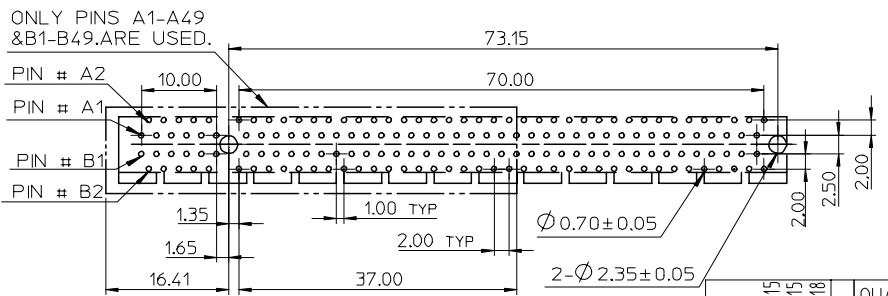
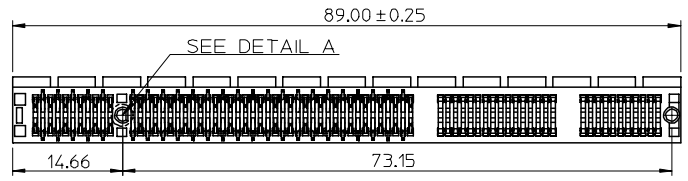
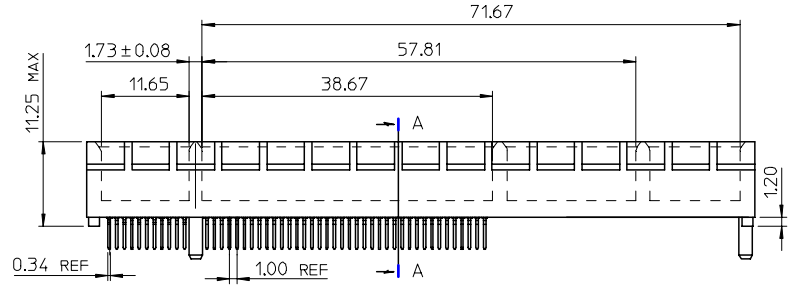
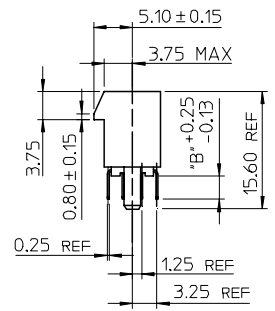
\* PCI Express is a registered trademark of PCI-SIG®

This document was generated on 06/04/2010

**PLEASE CHECK [WWW.MOLEX.COM](http://WWW.MOLEX.COM) FOR LATEST PART INFORMATION**



- NOTES:
- MATERIALS:  
1-1.HOUSING:SEE TABLE, 30% GLASS FIBER FILLED UL94V-0  
COLOR:SEE TABLE
  - CONTACT:SEE TABLE
  - PLATING:  
2-1.CONTACT AREA:SEE TABLE  
2-2.SOLDER TAIL:SEE TABLE  
2-3.UNDER PLATING:SEE TABLE
  - DATE CODE:TO BE PRINTED
  - PRODUCT SPECIFICATION REFER TO PS-87715-200
  - PACKAGE SPECIFICATION REFER TO PK-87715-203
  - TEST SUMMARY:REFER TO TS-87715-203
  - LEAD FREE AND RoHS COMPLIANT PRODUCT.



MOLEX P/N	CIRCUIT SIZE	HOUSING MATERIAL	HOUSING COLOR	TERMINAL MATERIAL	CONTACT PLATING	SOLDER TAIL PLATING	DIM"B"
87715-9902				PHOSPHOR BROZNE	GOLD FLASH	100 MICROINCH MIN TIN OVER 50 MICROINCH NICKEL OVERALL	2.30
87715-9903	N/A	NYLON46	BLACK	PHOSPHOR BROZNE	GOLD FLASH	100 MICROINCH MIN TIN OVER 50 MICROINCH NICKEL OVERALL	2.54
87715-9904				PHOSPHOR BROZNE	GOLD	100 MICROINCH MIN TIN OVER 50 MICROINCH NICKEL OVERALL	3.00
87715-9905				PHOSPHOR BROZNE	GOLD	100 MICROINCH MIN TIN OVER 50 MICROINCH NICKEL OVERALL	2.30
87715-9906	N/A	NYLON46	BLACK	PHOSPHOR BROZNE	15 MICROINCH	100 MICROINCH MIN TIN OVER 50 MICROINCH NICKEL OVERALL	2.54
87715-9907				PHOSPHOR BROZNE	GOLD	100 MICROINCH MIN TIN OVER 50 MICROINCH NICKEL OVERALL	3.00

EMR 2006-0005 & 0019  
 EC NO: SH2006-0100  
 DRWN:ALLIN 2006/05/15  
 CHKD: 2006/05/15  
 APPR:WISCHANG 2006/05/18

QUALITY SYMBOLS  	GENERAL TOLERANCES (UNLESS SPECIFIED)		DIMENSION STYLE MM ONLY		SCALE	DESIGN UNITS METRIC	THIRD ANGLE PROJECTION
		mm	INCH	DRAWN BY TOM	DATE 2004/10/15	TITLE PCI EXPRESS X16 LOAD 98 CKT CONNECTOR (LEAD FREE VERSION)	
	4 PLACES	± ---	± ---	CHECKED BY ALLEN LIN	DATE 2004/10/26	MOLEX INCORPORATED	
	3 PLACES	± ---	± ---	APPROVED BY WILSON CHANG	DATE 2004/10/26		DOCUMENT NO. SD-87715-208
	2 PLACES	± 0.25	± ---	DRAFT WHERE APPLICABLE MUST REMAIN WITHIN DIMENSIONS		THIS DRAWING CONTAINS INFORMATION THAT IS PROPRIETARY TO MOLEX INCORPORATED AND SHOULD NOT BE USED WITHOUT WRITTEN PERMISSION	
	1 PLACE	± 0.25	± ---	ANGULAR ± 3 °			

10 9 8 7 6 5 4 3 2 1

F

E

D

C

B

A

F

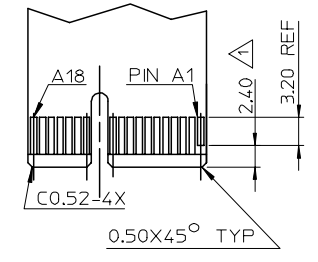
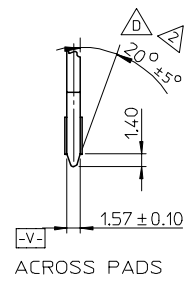
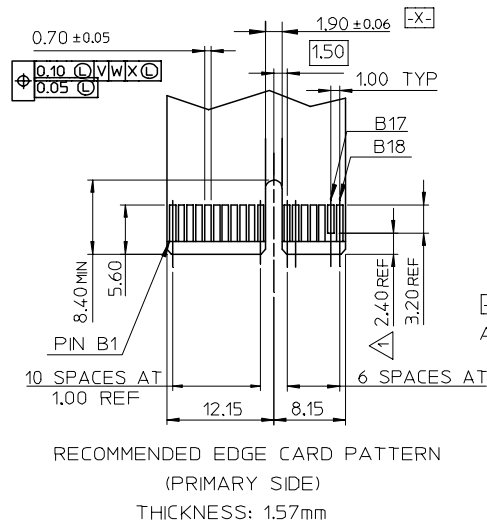
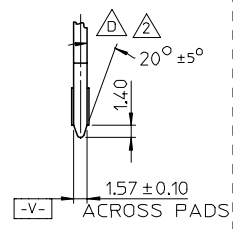
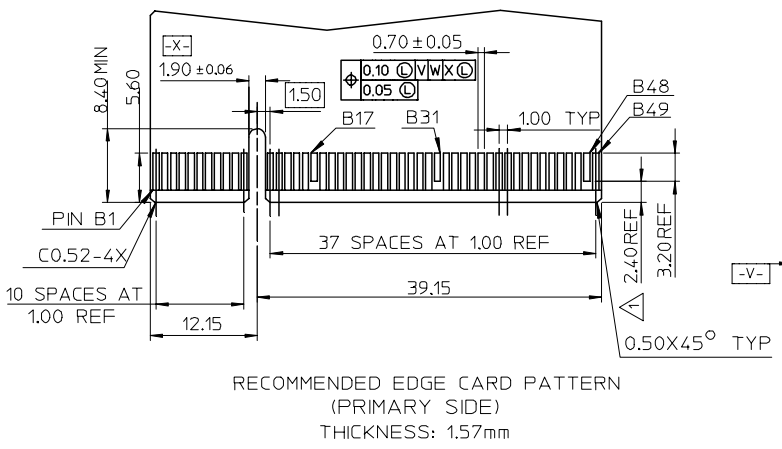
E

D

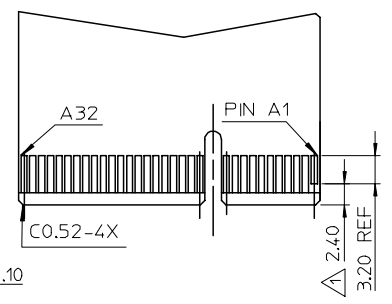
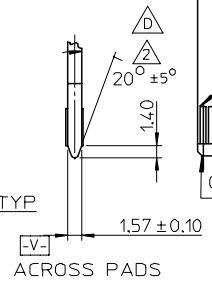
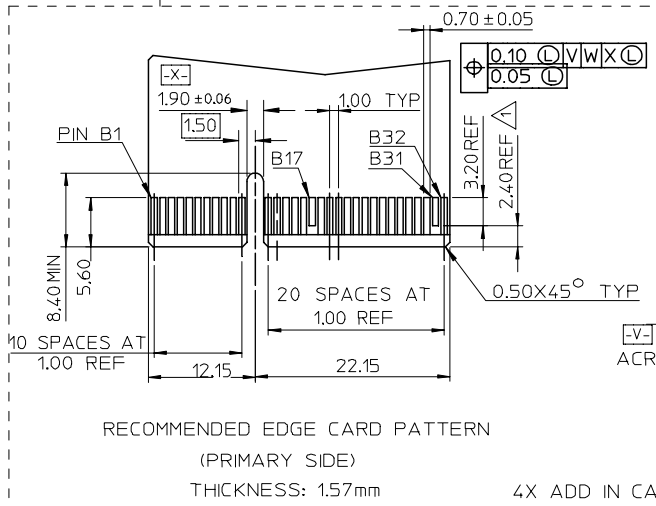
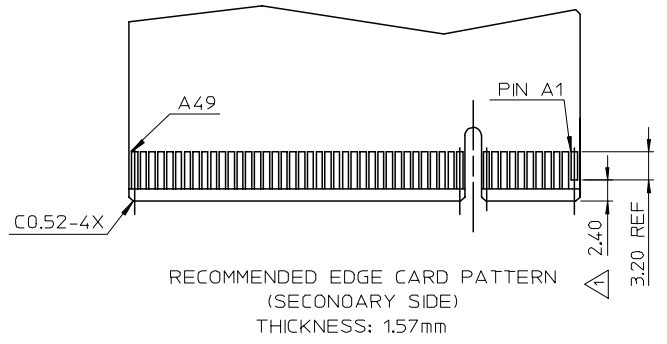
C

B

A



RECOMMENDED EDGE CARD PATTERN  
(SECONDARY SIDE)  
THICKNESS: 1.57mm



RECOMMENDED EDGE CARD PATTERN  
(SECONDARY SIDE)  
THICKNESS: 1.57mm

- △ NO TIE BAR PERMITTED FROM CARD EDGE TO LEADING EDGE OF PAD FOR THE HOT PLUG PINS
- △ CHAMFER EDGES MUST BE FREE OF CUTTING BURRS.

SEE SHEET 1 EC NO: SH2006-0100 DRWN: ALLIN CHKD: APPR: WWSCHANG	2006/05/15 2006/05/15 2006/05/18	DESCRIPTION REV	QUALITY SYMBOLS	GENERAL TOLERANCES (UNLESS SPECIFIED) mm INCH 4 PLACES ± --- ± --- 3 PLACES ± --- ± --- 2 PLACES ± 0.25 ± --- 1 PLACE ± 0.25 ± --- ANGULAR ± 3°	DIMENSION STYLE	SCALE	DESIGN UNITS	THIRD ANGLE PROJECTION
			=0 <math>\nabla</math>=0		MM ONLY	METRIC	□ ◻	
					DRAWN BY	TITLE		
					DATE			
					TOM 2004/10/15 CHECKED BY ALLEN LIN 2004/10/26 APPROVED BY WILSON CHANG 2004/10/26	PCI EXPRESS X16 LOAD 98 CKT CONNECTOR (LEAD FREE VERSION)		
					MATERIAL NO. SEE TABLE	DOCUMENT NO. SD-87715-208	MOLEX INCORPORATED	
					DRAFT WHERE APPLICABLE MUST REMAIN WITHIN DIMENSIONS	SIZE A3	SHEET NO. 2 OF 2	
					THIS DRAWING CONTAINS INFORMATION THAT IS PROPRIETARY TO MOLEX INCORPORATED AND SHOULD NOT BE USED WITHOUT WRITTEN PERMISSION			

9 8 7 6 5 4 3 2 1