

**PLEASE CHECK WWW.MOLEX.COM FOR LATEST PART INFORMATION**

**Part Number:** [0781661001](#)  
**Status:** **Active**  
**Overview:** [projector lamp connector](#)  
**Description:** 13.00mm (.512") Pitch Projector Lamp Plug Housing, 2 Circuits, Lead free

**Documents:**

[3D Model](#) [RoHS Certificate of Compliance \(PDF\)](#)  
[Drawing \(PDF\)](#)

**Agency Certification**

TUV R72081037

**General**

Product Family Crimp Housings  
 Series [78166](#)  
 Overview [projector lamp connector](#)  
 Product Name N/A

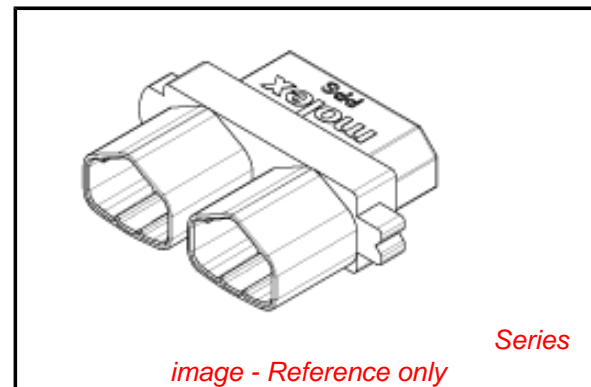
**Physical**

Breakaway No  
 Circuits (maximum) 2  
 Flammability 94V-0  
 Gender Plug  
 Glow-Wire Compliant No  
 Number of Rows 1  
 Packaging Type Bag  
 Panel Mount No  
 Pitch - Mating Interface (in) 0.512 In  
 Pitch - Mating Interface (mm) 13.00 mm  
 Polarized to Mating Part Yes  
 Stackable No  
 Temperature Range - Operating -20°C TO +150°C

**Material Info**

**Reference - Drawing Numbers**

Sales Drawing SD-78166-002



**EU RoHS**

**ELV and RoHS  
 Compliant**  
**REACH SVHC**  
 Not Reviewed  
**Halogen-Free  
 Status**

**China RoHS**



**Need more information on product  
 environmental compliance?**

Email [productcompliance@molex.com](mailto:productcompliance@molex.com)  
 For a multiple part number RoHS Certificate of  
 Compliance, [click here](#)

Please visit the [Contact Us](#) section for any  
 non-product compliance questions.

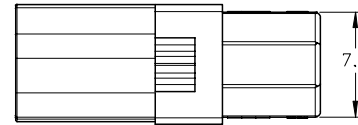
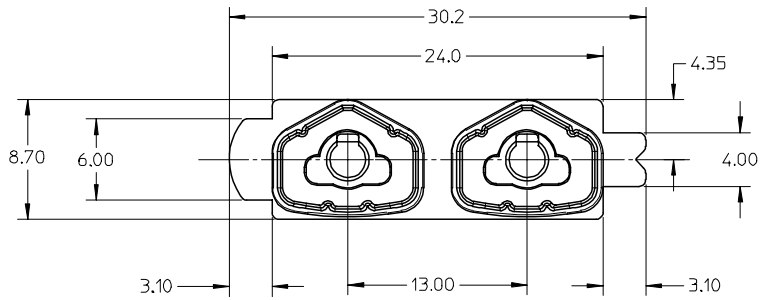
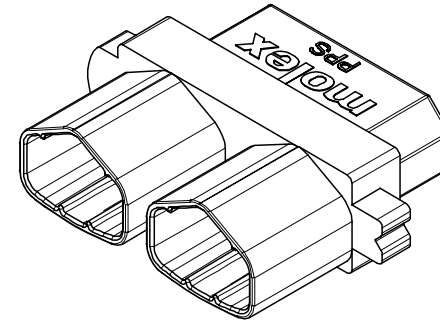
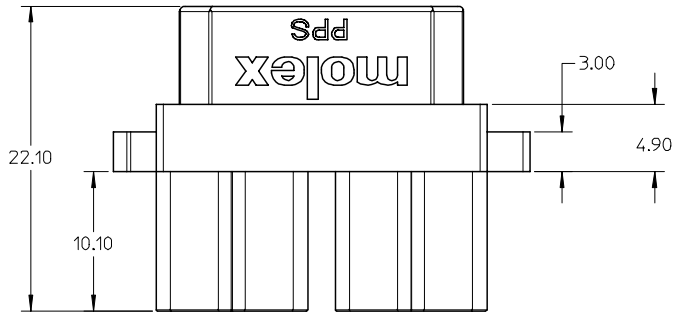
**Search Parts in this Series**

[78166Series](#)

**Use With**

[78037-2001 Terminal](#)

10 9 8 7 6 5 4 3 2 1



NOTES:

1. MATERIAL: PPS GLASS FILLED, UL94V-0, COLOR: BLACK
2. MATE WITH 78165 SERIES.
3. TERMINAL TO BE USED : P/N 78037-2001.
4. PACKAGING INFORMATION : BULK PACKAGING IN POLYBAG.
5. PRODUCT SPECIFICATION : PS-78036-001

REVISED	DESCRIPTION
EC NO: S2008-0250	2007/09/28
DRWN: BOKOK	2007/09/27
CHKD: CGOH	2007/09/27
APPR: KCLING	2007/09/28
A1	REV

QUALITY SYMBOLS
▽=0
∇=0

GENERAL TOLERANCES (UNLESS SPECIFIED)	DIMENSION STYLE MM ONLY	
	mm	INCH
4 PLACES	± ---	± ---
3 PLACES	± ---	± ---
2 PLACES	± 0.3	± ---
1 PLACE	± 0.5	± ---
ANGULAR ± 3 °		
DRAFT WHERE APPLICABLE MUST REMAIN WITHIN DIMENSIONS		

DRAWN BY	DATE
BOKOK	2007/02/23
CHECKED BY	DATE
CGOH	2007/03/01
APPROVED BY	DATE
KCLING	2007/03/01
MATERIAL NO.	78166-1001

SCALE	DESIGN UNITS	THIRD ANGLE PROJECTION
NTS	METRIC	
TITLE PROJECTOR LAMP CONNECTOR 13MM PITCH, PLUG HOUSING		
MOLEX INCORPORATED		
DOCUMENT NO.	SHEET NO.	
SD-78166-002	1 OF 1	
THIS DRAWING CONTAINS INFORMATION THAT IS PROPRIETARY TO MOLEX INCORPORATED AND SHOULD NOT BE USED WITHOUT WRITTEN PERMISSION		

9 8 7 6 5 4 3 2 1