

PLEASE CHECK WWW.MOLEX.COM FOR LATEST PART INFORMATION

Part Number: [0351890203](#)
Status: **Active**
Description: 4.75mm (.187") Tab, MP-Lock™ Housing, 2 Circuits, 6.00mm (.236") Pitch, UL94V-2, Yellow

Documents:

[Drawing \(PDF\)](#) [RoHS Certificate of Compliance \(PDF\)](#)

General

Product Family Crimp Housings
 Series [35189](#)
 Product Name MP-Lock™

Physical

Breakaway No
 Circuits (maximum) 2
 Gender Female
 Glow-Wire Compliant No
 Keying to Mating Part None
 Lock to Mating Part None
 Number of Rows 2
 Packaging Type Bag
 Panel Mount No
 Pitch - Mating Interface (in) 0.236 In
 Pitch - Mating Interface (mm) 6.00 mm
 Pitch - Term. Interface (in) 0.236 In
 Pitch - Term. Interface (mm) 6.00 mm
 Polarized to Mating Part Yes
 Ports 1
 Stackable No
 Temperature Range - Operating -40°C to +105°C

Electrical

Current - Maximum per Contact 12A, 3A, 5A, 7A

Material Info

Reference - Drawing Numbers

Product Specification RPS-35068-001
 Sales Drawing SD-35189-0200

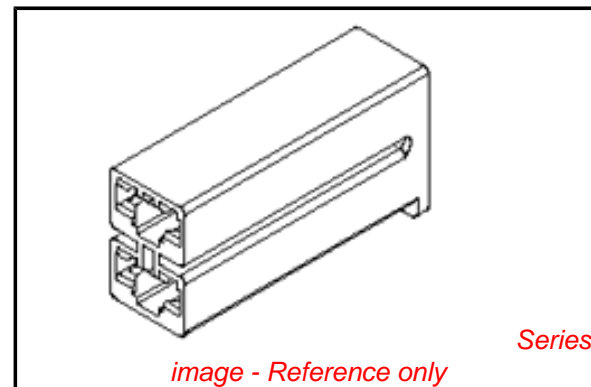


image - Reference only

EU RoHS

ELV and RoHS Compliant
REACH SVHC
 Not Reviewed
Halogen-Free Status
 Not Reviewed

China RoHS



Need more information on product environmental compliance?

Email productcompliance@molex.com
 For a multiple part number RoHS Certificate of Compliance, [click here](#)

Please visit the [Contact Us](#) section for any non-product compliance questions.

Search Parts in this Series

[35189Series](#)

Mates With

Appliance Timer|Temperature Switch|
 Micro Switch|Appliance Motor|Appliance
 Magnetron|Appliance Capacitor|Appliance
 Transformer|Appliance Heater

Use With

[35068](#) MP-Lock™ Quick Disconnect

10 9 8 7 6 5 4 3 2 1

F

E

D

C

B

A

F

E

D

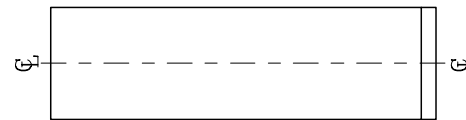
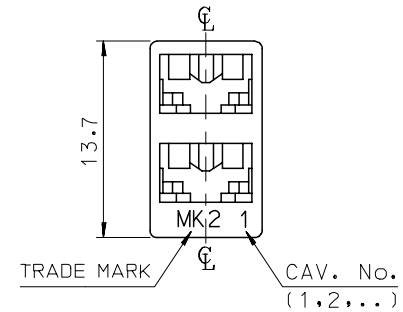
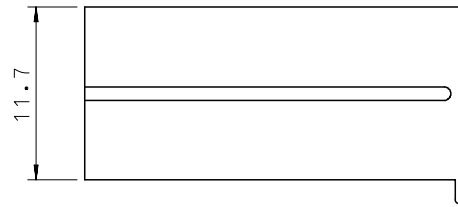
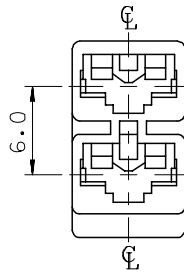
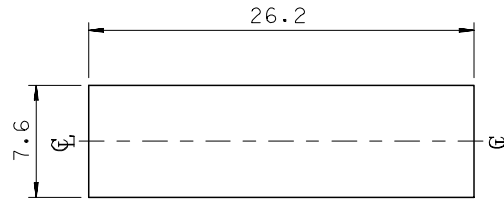
C

B

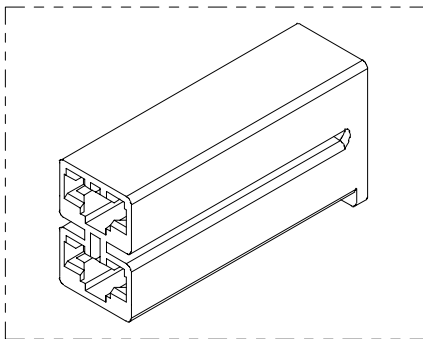
A

NOTES

1. MATERIAL : NYLON
2. COLOR: 35189-0200 NATURAL
35189-0202 RED
35189-0203 YELLOW
35189-0204 BLUE
3. APPLICABLE TERMINAL:35068-9**2
4. GENERAL TOLERANCE:±0.3



ISOMETRIC VIEW



REVISED EC NO: KOR2008-0083 DRWN: JHPARK01 2007/11/07 CHKD: WY. YANG 2007/11/07 APPR: YUNSIKKIM 2007/11/07	DESCRIPTION	QUALITY SYMBOLS	GENERAL TOLERANCES (UNLESS SPECIFIED)		DIMENSION STYLE	SCALE	DESIGN UNITS	THIRD ANGLE PROJECTION	
		$\nabla=0$ $\nabla C=0$	mm	INCH	MM ONLY	3:1	METRIC		
REV	DESCRIPTION	4 PLACES	± ---	± ---	DRAWN BY	DATE	TITLE	.187 P-LOCK HSG-2P (6MM PITCH)	
		3 PLACES	± ---	± ---	JS. KANG				
		2 PLACES	± ---	± ---	CHECKED BY	DATE		MOLEX INCORPORATED	
		1 PLACE	± 0.3	± ---	APPROVED BY	DATE			
		ANGULAR ± 1 °		DRAFT WHERE APPLICABLE MUST REMAIN WITHIN DIMENSIONS		SEE NOTES		SD-35189-0200	
				SIZE A3		THIS DRAWING CONTAINS INFORMATION THAT IS PROPRIETARY TO MOLEX INCORPORATED AND SHOULD NOT BE USED WITHOUT WRITTEN PERMISSION		SHEET NO. 1 OF 01	

9 8 7 6 5 4 3 2 1