

PLEASE CHECK WWW.MOLEX.COM FOR LATEST PART INFORMATION

Part Number: [0196001302](#)
Status: **Active**
Description: Avikrimp™ Fully Insulated Female Quick Disconnect

Documents:

[Drawing \(PDF\)](#) [RoHS Certificate of Compliance \(PDF\)](#)

Agency Certification

CSA LR18689
 UL E79133

General

Product Family Quick Disconnects
 Series [19600](#)
 Crimp Quality Equipment Yes
 Product Name Avikrimp™
 Type Quick Disconnect

Physical

Barrel Type Closed
 Flammability 94V-2
 Gender Female
 Glow-Wire Compliant No
 Insulation Nylon (PA)
 Lock to Mating Part None
 Material - Metal Brass
 Orientation Straight
 Packaging Type Bag
 Polarized to Mating Part No
 Tab Thickness 0.51mm (.020")
 Tab Width 4.75mm (.187")
 Temperature Range - Operating -65°C to +105°C
 Wire Insulation Diameter 6.89x4.32mm (.270x.170") max.
 Wire Size AWG 16+16, 18+18, 20+20, 22+22

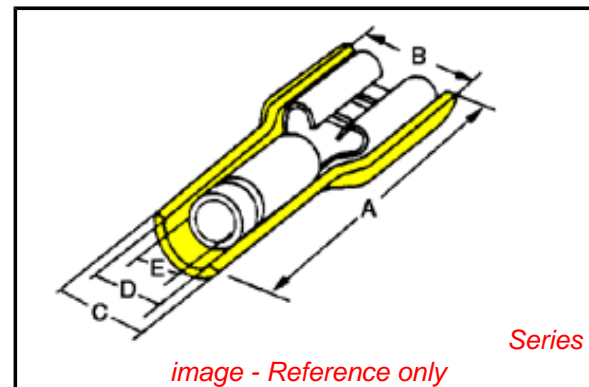
Electrical

Voltage - Maximum 300V

Material Info

Reference - Drawing Numbers

Sales Drawing SD-19600-1300



EU RoHS

ELV and RoHS Compliant
REACH SVHC
 Not Reviewed
Halogen-Free Status

China RoHS



Not Reviewed

Need more information on product environmental compliance?

Email productcompliance@molex.com
 For a multiple part number RoHS Certificate of Compliance, [click here](#)

Please visit the [Contact Us](#) section for any non-product compliance questions.

Search Parts in this Series

[19600Series](#)

Application Tooling | [FAQ](#)

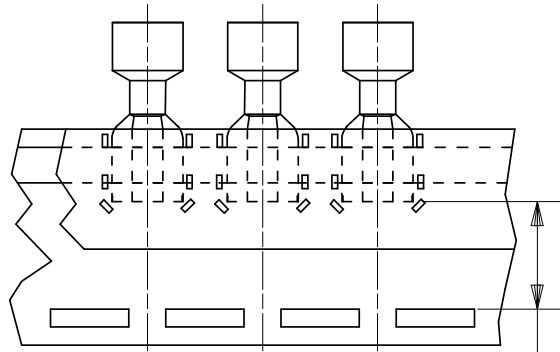
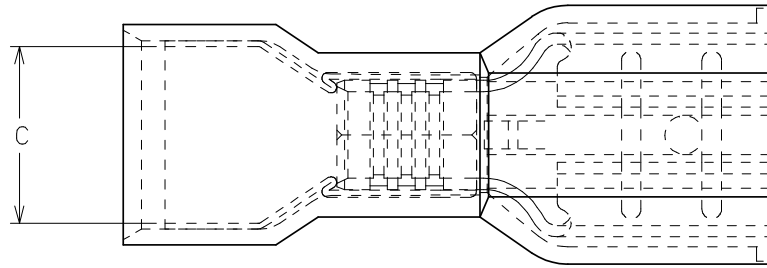
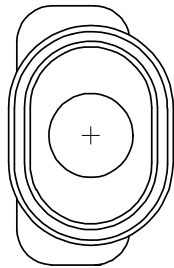
Tooling specifications and manuals are found by selecting the products below. Crimp Height Specifications are then contained in the Application Tooling Specification document.

Global

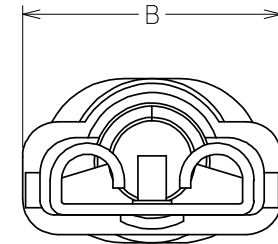
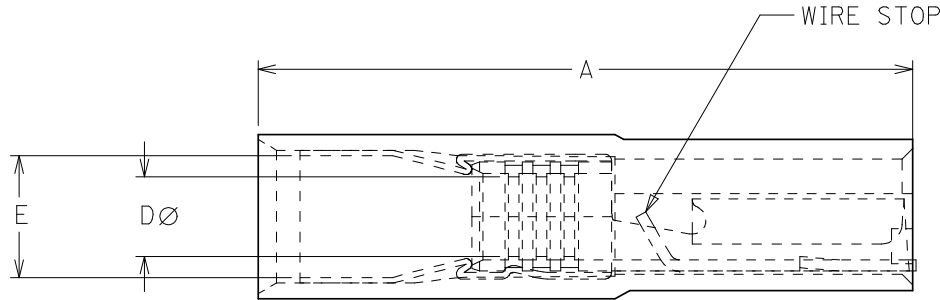
Description	Product #
HAND CRIMP TOOL	0640017100
Air Powered Crimp Tool Head	0640057100

PLEASE CHECK WWW.MOLEX.COM FOR LATEST PART INFORMATION

	13	12	11	10	9	8	7	6	5	4	3	2	1
J	PART NO.	CARRIER STYLE	TAB SIZE	COLOR	A MAX	B MAX	C MIN	D MIN	E MWID	H NOMINAL			
	19600-1300	LOOSE PIECE	.250 X .032	YELLOW	.960/24.38	.385/9.78	.245/6.22	.112/2.84	.170/4.31	N/A			
	19600-1302	LOOSE PIECE	.187 X .020	YELLOW	.880/22.36	.330/8.39	.245/6.22	.112/2.84	.170/4.31				
	19600-1304	LOOSE PIECE	.187 X .032	YELLOW	.880/22.36	.330/8.39	.245/6.22	.112/2.84	.170/4.31				
	19600-1306	TAPE MOUNT	.250 X .032	YELLOW	.960/24.38	.385/9.78	.245/6.22	.112/2.84	.170/4.31	.56/14.2 (D)			
	19600-1307	TAPE MOUNT	.187 X .020	YELLOW	.880/22.36	.330/8.39	.245/6.22	.112/2.84	.170/4.31	.64/16.3			
I	19600-1308	TAPE MOUNT	.187 X .032	YELLOW	.880/22.36	.330/8.39	.245/6.22	.112/2.84	.170/4.31				



PARTS ON TAPE
(SCALE 2:1) (D)



1. TERMINAL MATERIAL: BRASS
2. TERMINAL PLATING: TIN
3. INSULATION MATERIAL: NYLON
4. MWID= MAXIMUM WIRE INSULATION DIAMETER.
5. PARTS TO ACCEPT TWO 22, 20, 18 & 16 OR A COMBINATION OF ANY TWO OF THESE WIRE GAUGES.
6. PART IS RoHS COMPLIANT.

ADD TAPE DIAG, DIMS EC NO: WNA2008-0049 DRAWN:ETHRODAHL 2008/02/14 CHKD:JMACNEIL 2008/03/11 APPR:JMACNEIL 2008/03/11	QUALITY SYMBOLS ▼=0 ▽=0	GENERAL TOLERANCES (UNLESS SPECIFIED)		DIMENSION STYLE IN/MM		SCALE 10:1	DESIGN UNITS INCH	THIRD ANGLE PROJECTION	
		4 PLACES ±--- ±---	HEB	DRAWN BY DATE		TITLE			
		3 PLACES ±--- ±.005	RWD	CHECKED BY DATE		AVIKRIMP FIQD OVAL EXP. TWO(22,20,18, & 16 AWG) .187 & .250 TAB WIDTH			
		2 PLACES ±0.13 ±.01	RWD	APPROVED BY DATE		MOLEX INCORPORATED			
1 PLACE ±0.25 ±---	RWD	ANGULAR ±---°		MATERIAL NO.		DOCUMENT NO.		SHEET NO.	
DRAFT WHERE APPLICABLE MUST REMAIN WITHIN DIMENSIONS		SEE CHART		SD-19600-1300		1 OF 1			
THIS DRAWING CONTAINS INFORMATION THAT IS PROPRIETARY TO MOLEX INCORPORATED AND SHOULD NOT BE USED WITHOUT WRITTEN PERMISSION									