

PLEASE CHECK WWW.MOLEX.COM FOR LATEST PART INFORMATION

Part Number: [0082264406](#)
Status: **Active**
Description: 2.00mm (.079") Pitch Round Conductor Flat Cable - 26 AWG (7 x 34) Stranded, Topcoat, 6 Circuits, Reel 30.48m (100.0') Length

Documents:

[Drawing \(PDF\)](#) [RoHS Certificate of Compliance \(PDF\)](#)

Agency Certification

CSA LR61126
 UL E61522

General

Product Family Cable
 Series [24462](#)
 Crimp Quality Equipment Yes
 Geographic Area Asia
 Product Name Ribbon

Physical

Cable Length 30.48m (100.0')
 Circuits (Loaded) 6
 Insulation PVC
 Packaging Type Reel
 Pitch - Term. Interface (in) 0.079 In
 Pitch - Term. Interface (mm) 2.00 mm
 Temperature Range - Operating -20°C to +105°C
 Wire Size AWG 26
 Wire/Cable Type (7x34) Stranded, Topcoat

Electrical

Current - Maximum per Contact N/A
 Voltage - Maximum 300V

Material Info

Old Part Number 24462-06-100B

Reference - Drawing Numbers

Sales Drawing SD-24462-001



EU RoHS

**ELV and RoHS
 Compliant
 REACH SVHC
 Not Reviewed
 Halogen-Free
 Status
 Not Reviewed**

China RoHS



Need more information on product environmental compliance?

Email productcompliance@molex.com
 For a multiple part number RoHS Certificate of Compliance, [click here](#)

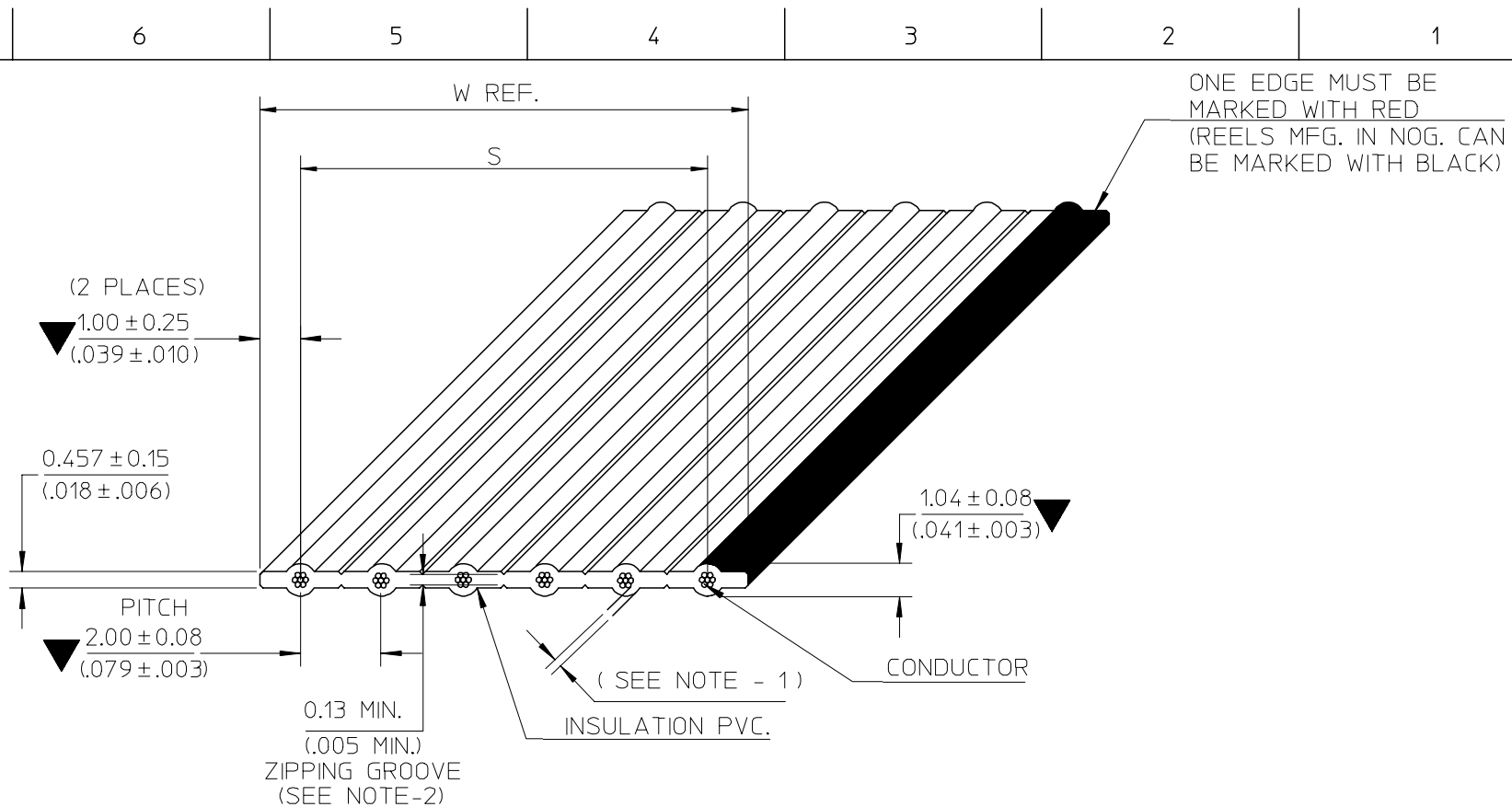
Please visit the [Contact Us](#) section for any non-product compliance questions.

Search Parts in this Series

[24462Series](#)

Use With

[52484](#) Wire-to-Board, IDT Receptacle Housing



- NOTE :
1. THE CABLE SHALL HAVE A MINIMUM OF 0.178mm. (.007") THICKNESS INSULATION AT ANY POINT
 2. RIP TEST:
 - THE 0.13mm. (.005") ZIPPING GROOVE SHALL BE CAPABLE OF BEING RIPPED BY HAND WITHIN THE RECESS, WITHOUT EXPOSING THE ADJACENT CONDUCTORS
 3. RoHS AND LEAD FREE COMPLIANT
 4. SPECIAL REQUIREMENT: N/A

| | | | |
|--------------|-----------|--|----------|
| B | E-07-0748 | B ₂ : ADD NON-OPERATING TEMP. B ₁ : ADD SOLDERING CONDITION | 07/10/01 |
| A | N/A | NEW RELEASE | 06/07/18 |
| REV. HISTORY | EC NO. | DETAIL | DATE |

SEE CHANGE DETAIL
 EC NO: THL2008-0015
 DRWN: CPANSAKHOM 2007/11/28
 CHKD: DNARINTARA 2007/11/29
 APPR: SVIRATJAPOL 2007/12/04

| |
|-----------------|
| QUALITY SYMBOLS |
| ▽=3 |
| ∇=0 |
| DESCRIPTION |
| REV |

| | |
|--|-------------|
| GENERAL TOLERANCES (UNLESS SPECIFIED) | |
| | mm INCH |
| 4 PLACES | ± --- ± --- |
| 3 PLACES | ± --- ± --- |
| 2 PLACES | ± --- ± --- |
| 1 PLACE | ± --- ± --- |
| ANGULAR ± ---° | |
| DRAFT WHERE APPLICABLE MUST REMAIN WITHIN DIMENSIONS | |

| | |
|-----------------|------------|
| DIMENSION STYLE | |
| MM/IN | |
| DRAWN BY | DATE |
| CPANSAKHOM | 2006/07/18 |
| CHECKED BY | DATE |
| PMEECHAI | 2006/07/18 |
| APPROVED BY | DATE |
| SVIRATJAPOL | 2006/07/18 |
| MATERIAL NO. | |
| SEE CHART | |
| SIZE | |
| A 4 | |

| | | |
|---|--------------|------------------------|
| SCALE | DESIGN UNITS | THIRD ANGLE PROJECTION |
| NTS | METRIC | |
| TITLE | | |
| FCB ROUND CONDUCTOR 2.00MM(.079)CENTER PVC. 26AWG STRANDED TOPCOATED | | |
| MOLEX INCORPORATED | | |
| MATERIAL NO. | DOCUMENT NO. | SHEET NO. |
| SEE CHART | SD-24462-001 | 1 OF 3 |
| THIS DRAWING CONTAINS INFORMATION THAT IS PROPRIETARY TO MOLEX INCORPORATED AND SHOULD NOT BE USED WITHOUT WRITTEN PERMISSION | | |

E

E

SPECIFICATIONS

PHYSICAL

CONDUCTOR SPACING ----- 2.00(0.79") ϕ TO ϕ
 WIRE GAUGE ----- 26 AWG(7/34) STRANDED TOPCOATED
 INSULATION ----- P.V.C GRAY (LEAD FREE)

AGENCY

U.L. STYLE NO. ----- 2651
 TEMPERATURE RATING ----- -20°C TO 105°C
 VOLTAGE RATING ----- 300V.MAX.
 FLAMMABILITY RATING ----- VW-1

ELECTRICAL

CONDUCTOR RESISTANCE (D.C.) ----- 35m OHMS/FT. MAX.
 CHARACTERISTIC IMPEDANCE ----- 166 OHMS NOM. (GS)
 ----- 124 OHMS NOM. (GSG)
 CAPACITANCE ----- 7.1 pF/FT. NOM. (GS)
 ----- 11.0 pF/FT. NOM. (GSG)
 PROPAGATION DELAY ----- 1.3 ns/FT. NOM.
 INSULATION RESISTANCE ----- 10M OHMS (10FT. SAMPLE)
 DIELECTRIC WITHSTAND VOLTAGE ----- 2000 VRMS/MINUTE

GENERAL

$\triangle B_1$ NON-OPERATING TEMPERATURE ----- -20°C TO 105°C
 FAULTS AND/OR SPLICES ----- 1/REEL MAX. 100 ± 9 FT. (30.48 ± 0.914 M.)/REEL
 $\triangle B_1$ SOLDERING CONDITION ----- 20FT. (6.096M.) MIN. LENGTH

SOLDER TEMPERATURE ----- 260°C. MAX.
 SOLDERING TIME ----- 3 SECOND, MAX.
 INSULATION SHRINK ----- 2MM. NOM

D

D

C

C

B

B

A

A

| | | | | | | | | | | | |
|--|--------------------|--|---------------------------------------|---------------------|-----------------|-----------------|-------|--|---|--|--|
| SEE CHANGE DETAIL EC NO: THL2008-0015 DRWN: CPANSAKHOM 2007/11/28 CHKD: DNARINTARA 2007/11/29 APPR: SVIRATJAPOL 2007/12/04 | DESCRIPTION REV | QUALITY SYMBOLS | GENERAL TOLERANCES (UNLESS SPECIFIED) | | DIMENSION STYLE | | SCALE | DESIGN UNITS | THIRD ANGLE PROJECTION | | |
| | | $\blacktriangledown =$ $\triangle C =$ | mm | INCH | MM/IN | | NTS | METRIC | DRAWN BY DATE CPANSAKHOM 2006/07/18 CHECKED BY DATE PMEECHAI 2006/07/18 APPROVED BY DATE SVIRATJAPOL 2006/07/18 MATERIAL NO. SEE CHART DOCUMENT NO. SD-24462-001 SHEET NO. 2 OF 3 | | |
| | | | 4 PLACES \pm ---- | \pm ---- | DRAWN BY DATE | | TITLE | | | | |
| | | DRAFT WHERE APPLICABLE MUST REMAIN WITHIN DIMENSIONS | | 3 PLACES \pm ---- | \pm ---- | CHECKED BY DATE | | FCB ROUND CONDUCTOR 2.00MM(0.79)CENTER PVC. 26AWG STRANDED TOPCOATED MOLEX INCORPORATED | | | |
| | | 2 PLACES \pm ---- | \pm ---- | APPROVED BY DATE | | | | | | | |
| | | 1 PLACE \pm ---- | \pm ---- | ANGULAR \pm ----° | | | | | | | |

| CHART "A" | | | | | | SHIPPED ON 100FT. REELS | |
|-----------------------|-------------|-------------|--------------|---------------|---------------|-------------------------|-----------|
| DIMENSION MM (INCHES) | | | | | | ENGINEERING NO. | ORDER NO. |
| ENG. NO | NO OF COND. | DIMENSION S | | DIM "W" REF. | | | |
| 24462-02 | 2 | 2.00±.080 | (.079±.003) | 4.00 (.157) | 24462-02-100B | 82-26-4402 | |
| 24462-03 | 3 | 4.00±.230 | (.157±.009) | 6.00 (.236) | ↑ -03- ↑ | ↑ 03 ↑ | |
| 24462-04 | 4 | 6.00±.230 | (.236±.009) | 8.00 (.315) | ↑ -04- ↑ | ↑ 04 ↑ | |
| 24462-05 | 5 | 8.00±.280 | (.315±.011) | 10.00 (.394) | ↑ -05- ↑ | ↑ 05 ↑ | |
| 24462-06 | 6 | 10.00±.280 | (.394±.011) | 12.00 (.472) | ↑ -06- ↑ | ↑ 06 ↑ | |
| 24462-07 | 7 | 12.00±.280 | (.472±.011) | 14.00 (.551) | ↑ -07- ↑ | ↑ 07 ↑ | |
| 24462-08 | 8 | 14.00±.280 | (.551±.011) | 16.00 (.630) | ↑ -08- ↑ | ↑ 08 ↑ | |
| 24462-09 | 9 | 16.00±.280 | (.630±.011) | 18.00 (.709) | ↑ -09- ↑ | ↑ 09 ↑ | |
| 24462-10 | 10 | 18.00±.280 | (.709±.011) | 20.00 (.787) | ↑ -10- ↑ | ↑ 10 ↑ | |
| 24462-11 | 11 | 20.00±.280 | (.787±.011) | 22.00 (.866) | ↑ -11- ↑ | ↑ 11 ↑ | |
| 24462-12 | 12 | 22.00±.280 | (.866±.011) | 24.00 (.945) | ↑ -12- ↑ | ↑ 12 ↑ | |
| 24462-13 | 13 | 24.00±.280 | (.945±.011) | 26.00 (1.024) | ↑ -13- ↑ | ↑ 13 ↑ | |
| 24462-14 | 14 | 26.00±.280 | (1.024±.011) | 28.00 (1.102) | ↑ -14- ↑ | ↑ 14 ↑ | |
| 24462-15 | 15 | 28.00±.280 | (1.102±.011) | 30.00 (1.181) | ↑ -15- ↑ | ↑ 15 ↑ | |
| 24462-16 | 16 | 30.00±.280 | (1.181±.011) | 32.00 (1.260) | ↑ -16- ↑ | ↑ 16 ↑ | |
| 24462-17 | 17 | 32.00±.280 | (1.260±.011) | 34.00 (1.339) | ↑ -17- ↑ | ↑ 17 ↑ | |
| 24462-18 | 18 | 34.00±.280 | (1.339±.011) | 36.00 (1.417) | ↑ -18- ↑ | ↑ 18 ↑ | |
| 24462-19 | 19 | 36.00±.280 | (1.417±.011) | 38.00 (1.496) | ↑ -19- ↑ | ↑ 19 ↑ | |
| 24462-20 | 20 | 38.00±.280 | (1.496±.011) | 40.00 (1.575) | ↑ -20- ↑ | ↑ 20 ↑ | |
| 24462-21 | 21 | 40.00±.280 | (1.575±.011) | 42.00 (1.654) | ↑ -21- ↑ | ↑ 21 ↑ | |
| 24462-22 | 22 | 42.00±.280 | (1.654±.011) | 44.00 (1.732) | ↑ -22- ↑ | ↑ 22 ↑ | |
| 24462-23 | 23 | 44.00±.280 | (1.732±.011) | 46.00 (1.811) | ↑ -23- ↑ | ↑ 23 ↑ | |
| 24462-24 | 24 | 46.00±.280 | (1.811±.011) | 48.00 (1.890) | ↑ -24- ↑ | ↑ 24 ↑ | |
| 24462-25 | 25 | 48.00±.280 | (1.890±.011) | 50.00 (1.969) | ↑ -25- ↑ | ↑ 25 ↑ | |
| 24462-26 | 26 | 50.00±.280 | (1.969±.011) | 52.00 (2.047) | ↑ -26- ↑ | ↑ 26 ↑ | |
| 24462-27 | 27 | 52.00±.280 | (2.047±.011) | 54.00 (2.126) | ↑ -27- ↑ | ↑ 27 ↑ | |
| 24462-28 | 28 | 54.00±.280 | (2.126±.011) | 56.00 (2.205) | 24462-28-100B | 82-26-4428 | |

ENGINEERING NO.

24462-XX-XXXX

A B C D

A : CABLE 2.00mm. (.079") CENTERS 26 AWG STRANDED TOPCOATED

B : CONDUCTOR SIZE (AVAILABILITY 2 THROUGH 28)

C : CABLE LENGTH 100FT. (30.48M)

D : A = INCHES

B = FEET

| | | | | | | | |
|--|--|---------------------------------------|-------|-----------------|--|--------------------|--|
| SEE CHANGE DETAIL EC NO: THL2008-0015 DRWN: CPANSAKHOM 2007/11/28 CHKD: DNARINTARA 2007/11/29 APPR: SVIRATJAPOL 2007/12/04 | QUALITY SYMBOLS | GENERAL TOLERANCES (UNLESS SPECIFIED) | | DIMENSION STYLE | SCALE | DESIGN UNITS | THIRD ANGLE PROJECTION |
| | = = | mm | INCH | MM/IN | NTS | METRIC | |
| | | 4 PLACES | ± --- | ± --- | DRAWN BY | DATE | |
| | DESCRIPTION | 3 PLACES | ± --- | ± --- | CPANSAKHOM | 2006/07/18 | FCB ROUND CONDUCTOR 2.00MM(.079)CENTER PVC. 26AWG STRANDED TOPCOATED |
| REV | 2 PLACES | ± --- | ± --- | CHECKED BY | DATE | MOLEX INCORPORATED | |
| | 1 PLACE | ± --- | ± --- | PMEECHAI | 2006/07/18 | SD-24462-001 | |
| | ANGULAR ± ---° | | | APPROVED BY | DATE | SHEET NO. | |
| | DRAFT WHERE APPLICABLE MUST REMAIN WITHIN DIMENSIONS | | | SVIRATJAPOL | 2006/07/18 | 3 OF 3 | |
| | | | | MATERIAL NO. | | | |
| | | | | SEE CHART | | | |
| | | | | SIZE | THIS DRAWING CONTAINS INFORMATION THAT IS PROPRIETARY TO MOLEX INCORPORATED AND SHOULD NOT BE USED WITHOUT WRITTEN PERMISSION | | |