



TAI-SAW TECHNOLOGY CO., LTD.

No. 3, Industrial 2nd Rd., Ping-Chen Industrial District,
Taoyuan, 324, Taiwan, R.O.C.

TEL: 886-3-4690038 FAX: 886-3-4697532

E-mail: tstsales@mail.taisaw.com Web: www.taisaw.com

Approval Sheet For Product Specification

Issued Date: May, 6, 2005

Product Name: SAW Filter 815.5 MHz SMD 3X3 mm

TST Parts No.:TA0430A

Customer Parts No.: _____

Company: _____
Division: _____
Approved by : _____
Date: _____

Checked by: _____ Bob Chau

Approval by: _____ Francis Chen

Date: _____ 5, 6, 2005



TAI-SAW TECHNOLOGY CO., LTD.

No. 3, Industrial 2nd Rd., Ping-Chen Industrial District,
Taoyuan, 324, Taiwan, R.O.C.

TEL: 886-3-4690038 FAX: 886-3-4697532

E-mail: tstsales@mail.taisaw.com Web: www.taisaw.com

SAW Filter 815.5 MHz for iDEN

MODEL NO.: TA0430A

REV. NO.:1

A. MAXIMUM RATING:

1. Input Power Level: 7 dB_m
2. DC voltage: 3 V
3. Operating Temperature: -30°C to +70°C
4. Storage Temperature: -40°C to +85°C

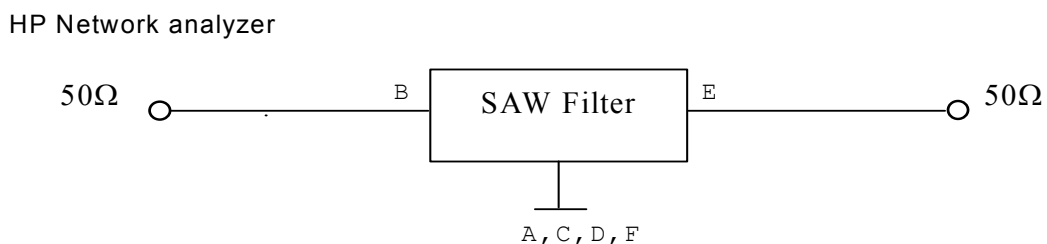
RoHS Compliant
Lead free
Lead-free soldering

B. ELECTRICAL CHARACTERISTICS:

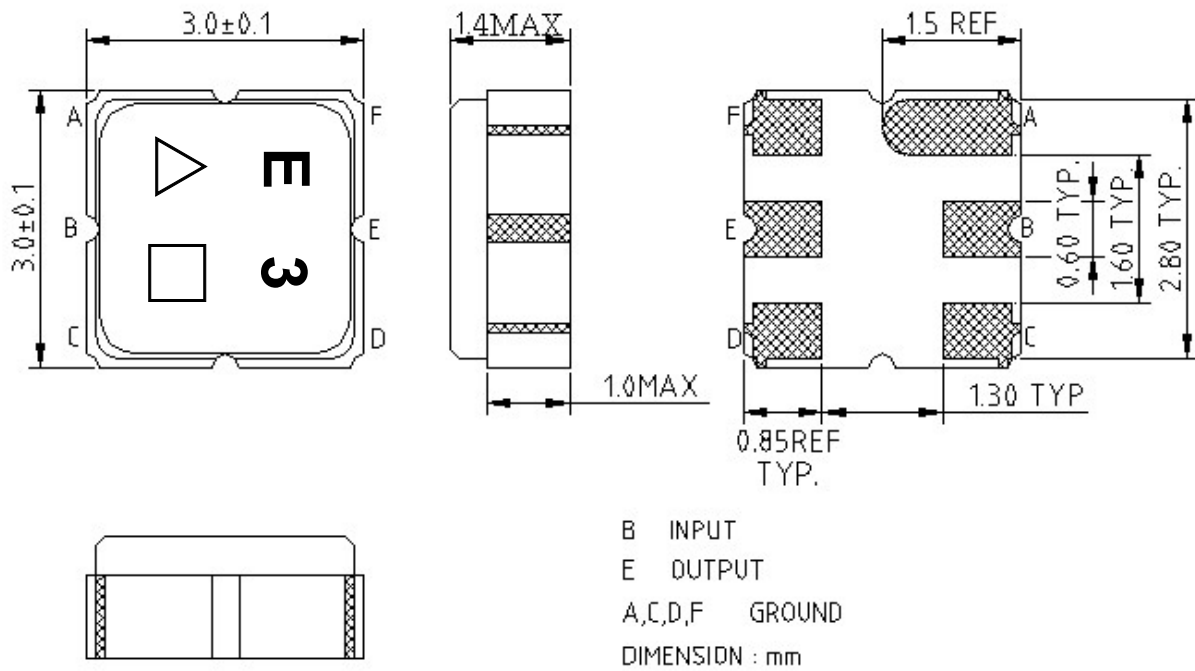
Item		Min.	Typ.	Max.
Center frequency	F_c (MHz)	-	815.5	-
Insertion loss (806~825 MHz)	IL (dB)	-	2.6	3.5
Group delay ripple (806~825 MHz)	(nS)	-	18	50
Attenuation (Reference level from 0 dB)				
851 ~ 866	MHz (dB)	40	46	-
935 ~ 940	MHz (dB)	35	68	-
960.65 ~ 979.65	MHz (dB)	35	65	-
1115.3 ~ 1134.3	MHz (dB)	37	64	-
1269.95 ~ 1288.95	MHz (dB)	40	62	-
1612 ~ 1650	MHz (dB)	35	68	-
1650 ~ 2600	MHz (dB)	25	38	-
Input/Output VSWR (806~825 MHz)		-	1.7	2.0
Source impedance	Z_s (Ω)	-	50	-
Load impedance	Z_L (Ω)	-	50	-

Note1. The standard definitions is in JIS C 6703

C. MEASUREMENT CIRCUIT:



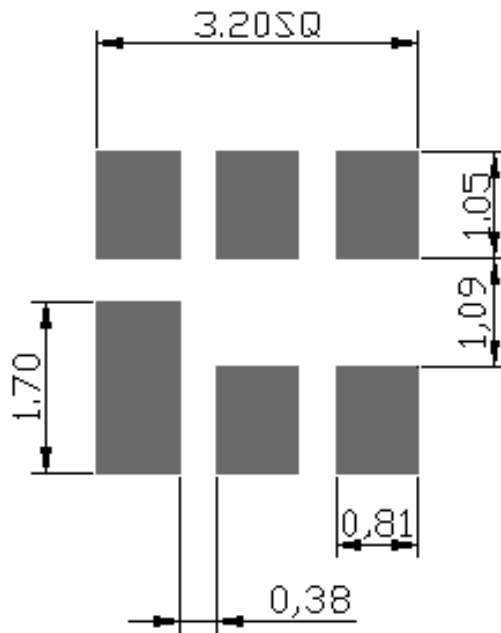
D. OUTLINE DRAWING:



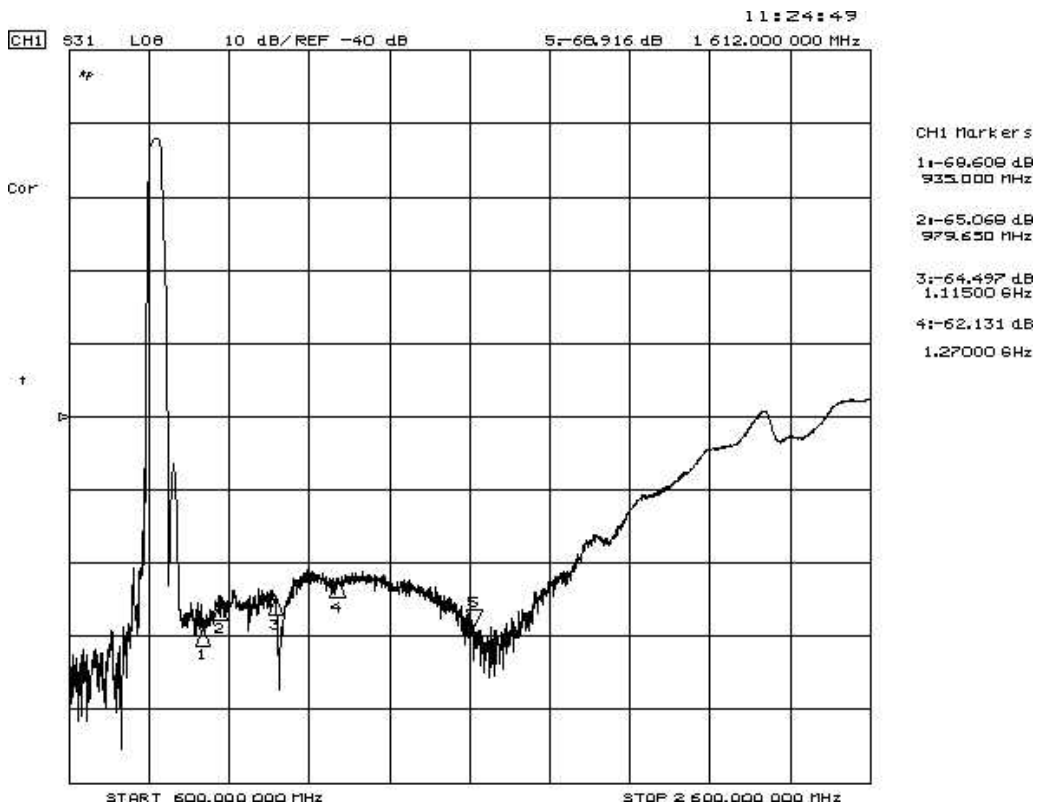
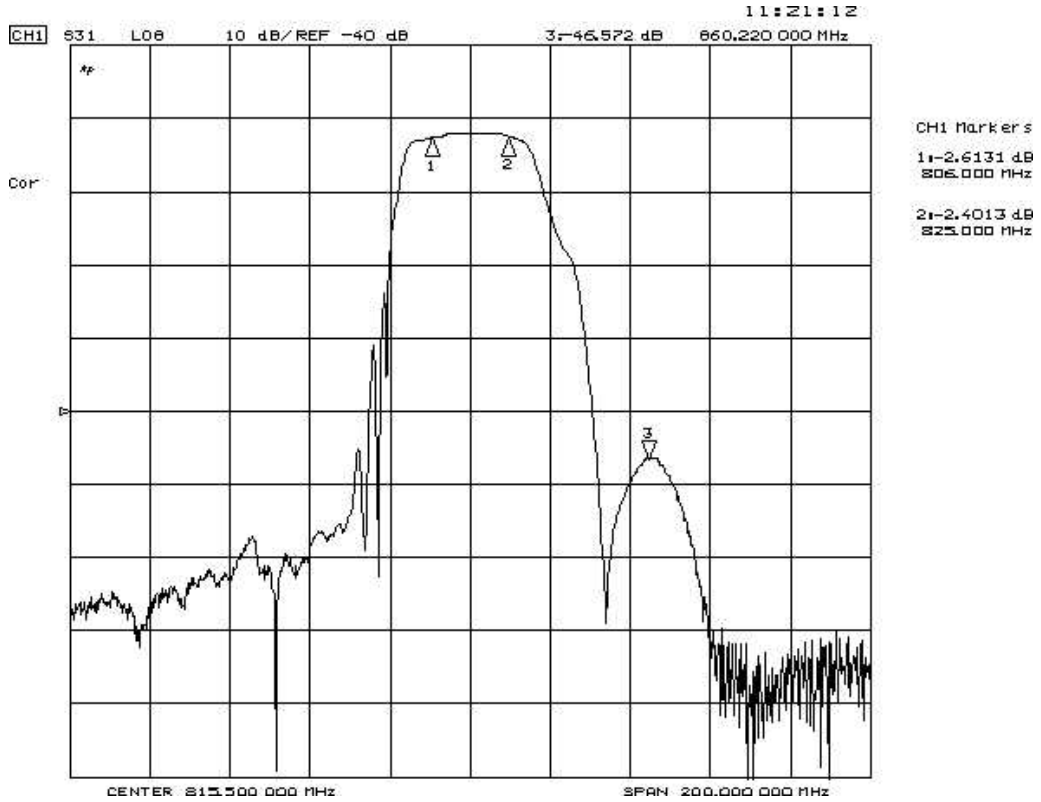
B INPUT
 E OUTPUT
 A,C,D,F GROUND
 DIMENSION : mm

△ : Year Code
 □ : Date Code

E. PCB Footprint:

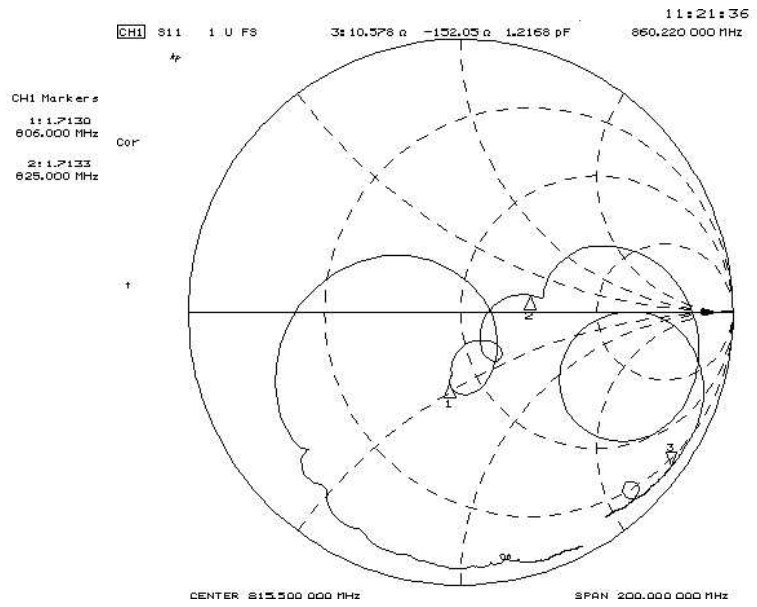
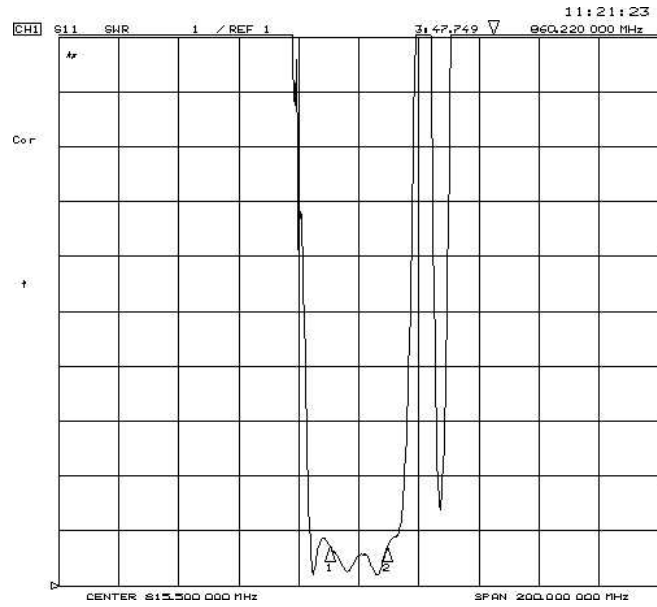


F. Frequency Characteristics : Transfer function

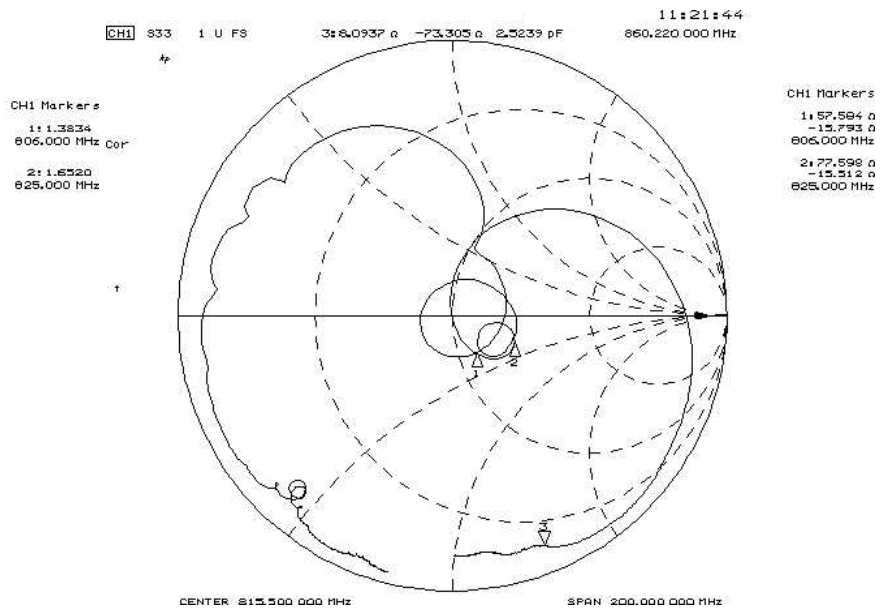
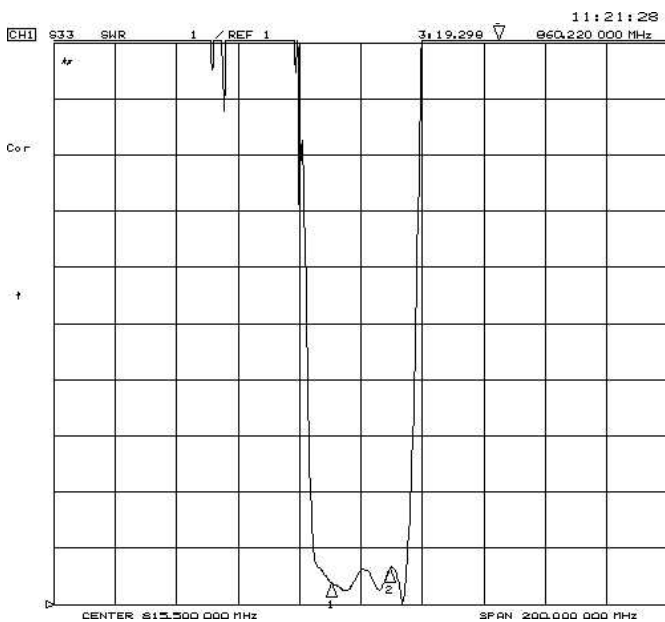


Reflections Functions :

S11

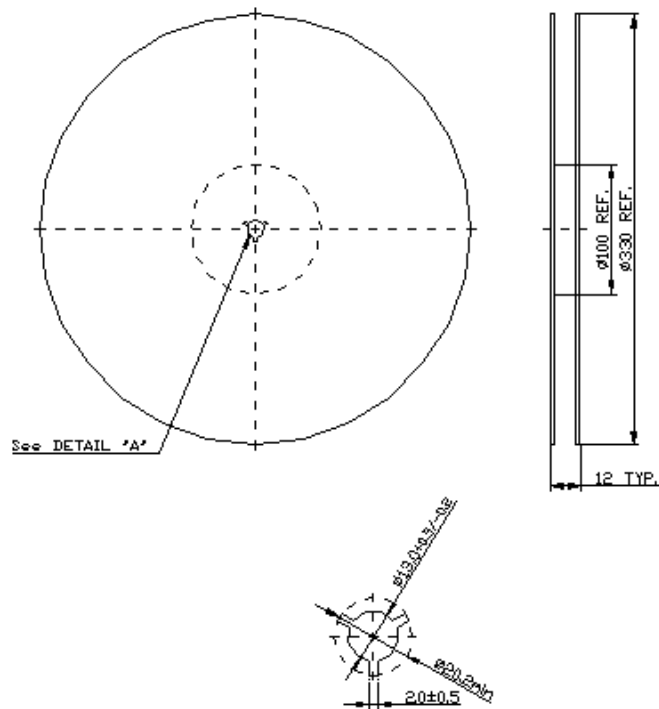


S22



G. PACKING:

1. REEL DIMENSION



2. TAPE DIMENSION

