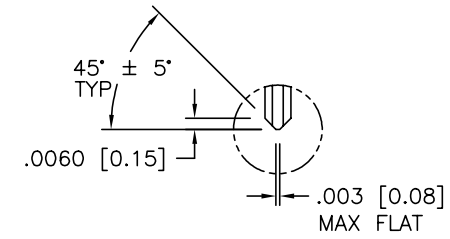
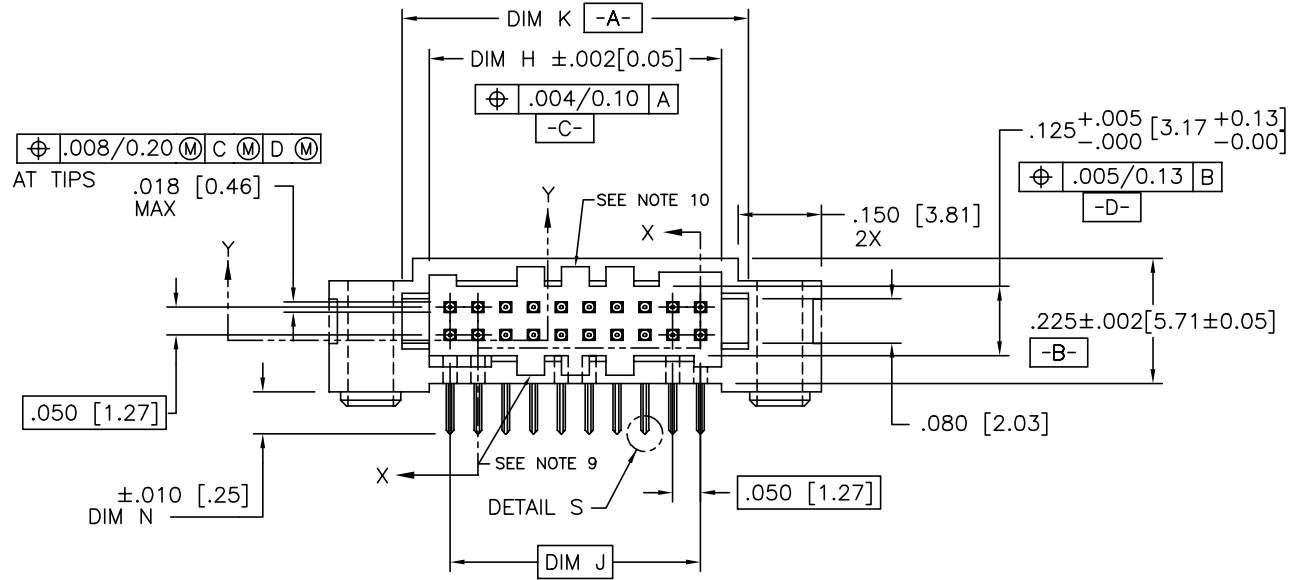
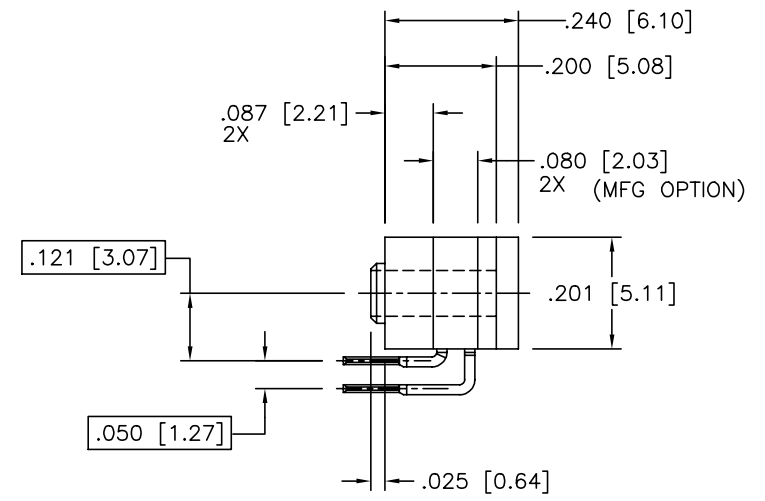
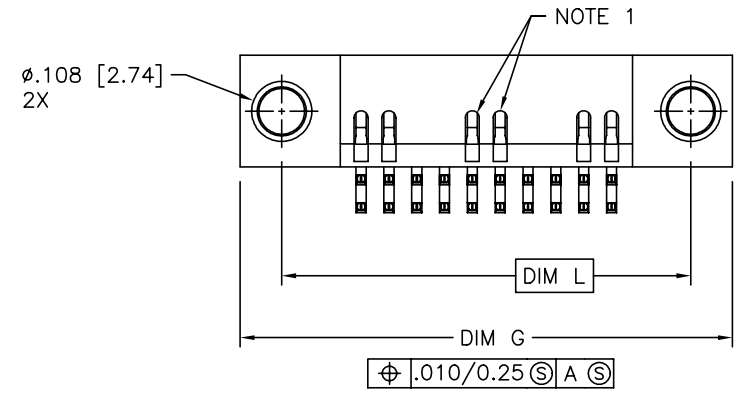


PRODUCT NUMBER
SEE TABLE



DETAIL S
SCALE 10/1

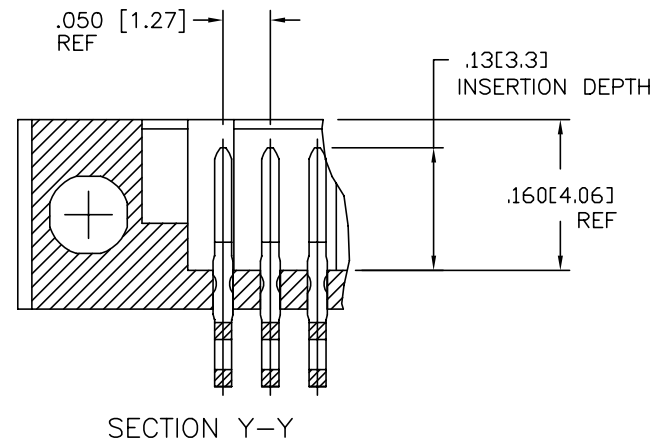
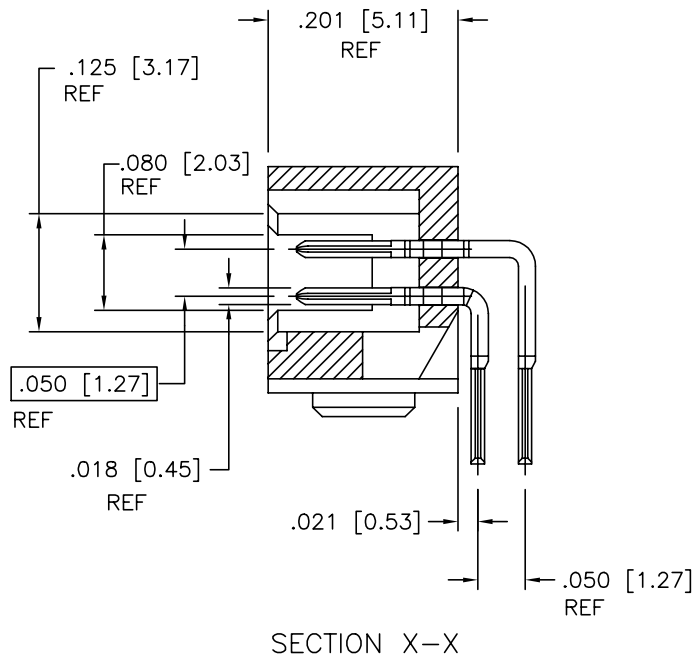


mat'l. code		surface		tolerance		projection		product family	
-		ISO 1302		ISO 406 ISO 1101				RIBCAGE	
ltr	ecn no	dr	date	tolerances unless otherwise specified				title	
H	M05-0123	MHT	6/07/05	angles	linear	$.XX \pm .01/0.3$ $.XXX \pm .005/0.13$ $.XXXX \pm .0020/0.05$		RIBCAGE HORIZONTAL HEADER ASSEMBLY	
J	M05-0196	MHT	9/13/05			INCH/MM		dwg no	
K	M06-0225	ERE	06/12/06	$0' \pm x'$		scale 3:1		sheet 1 of 4	
L	M06-0370	MHT	9/26/06	dr	M. CORNMANN	6/6/95		size	
M	M09-0058	MHT	4/02/09	enr	D. WHITING	6/6/95		A3	
N	N10-0122	YOH	5/11/10	chr	D. WHITING	6/6/95		type	
				appd	D. WHITING	6/6/95		Product Customer Drawing	
sheet	revision	N	N	N	N				
index	sheet	1	2	3	4				



Copyright FCI

PRODUCT NUMBER
SEE TABLE



SECTION X-X

SECTION Y-Y

FCJ
FCconnect.com

Copyright FCJ

mat'l. code		surface		tolerance		projection		product family	
-		ISO 1302		ISO 406 ISO 1101				RIBCAGE	
ltr	ecn no	dr	date	tolerances unless otherwise specified		INCH/MM		title	
N				angles	linear	$.XX \pm .01 / 0.3$ $.XXX \pm .005 / 0.13$ $.XXXX \pm .0020 / 0.051$		RIBCAGE HORIZONTAL HEADER ASSEMBLY	
				0°±x'		scale 3:1		dwg no 95780 sheet 2 of 4 size A3	
		dr	M. CORNMAN	6/6/95				type Product Customer Drawing	
		enr	D. WHITING	6/6/95					
		chr	D. WHITING	6/6/95					
		appd	D. WHITING	6/6/95					
sheet index	revision sheet								

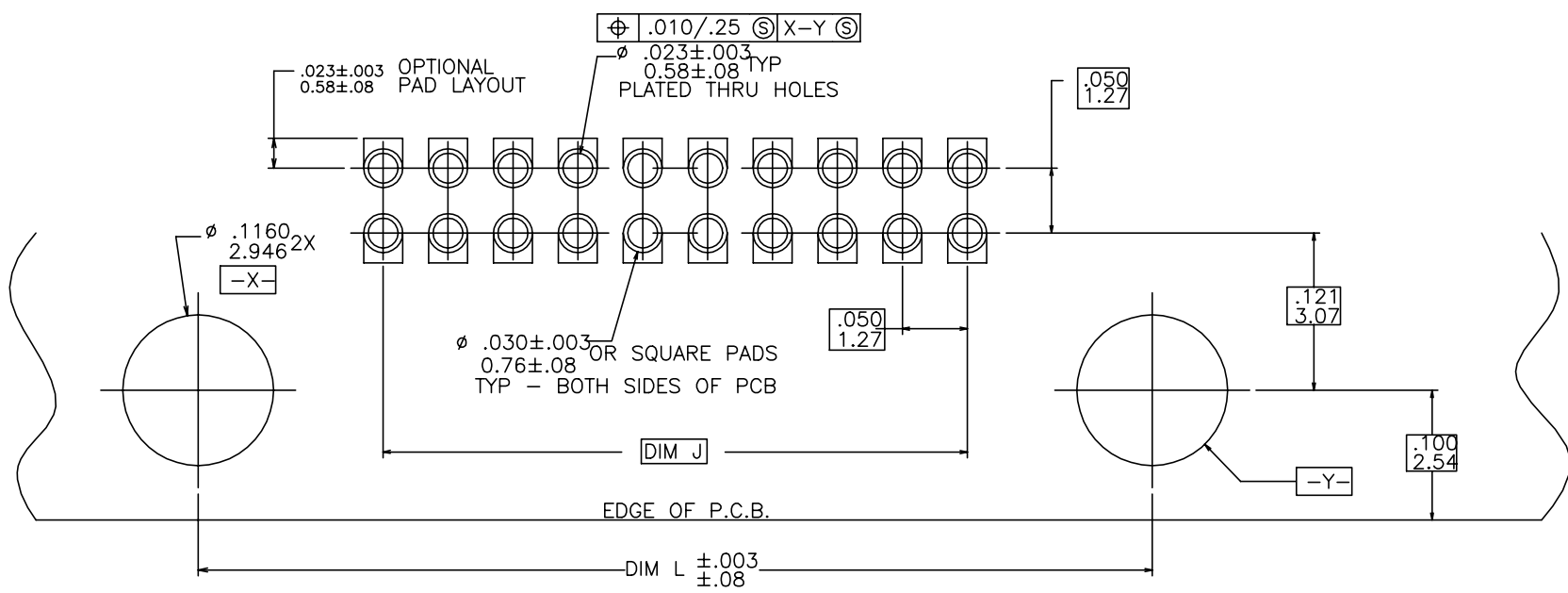
PRODUCT NO. NOTE 5,6	SIZE	DIM G	DIM H	DIM J	DIM K	DIM L	TAIL LENGTH DIM N
93120 OR 87402 -105	2X5	.635/16.13	.275/6.90	.200/5.08	.380/9.65	.485/12.32	.075/1.90
-110	2X10	.885/22.48	.525/13.34	.450/11.43	.630/16.00	.735/18.67	
-115	2X15	1.135/28.83	.775/19.68	.700/17.78	.880/22.35	.985/25.02	
-120	2X20	1.385/35.18	1.025/26.03	.950/24.13	1.130/28.70	1.235/31.37	
-125	2X25	1.635/41.52	1.275/32.38	1.200/30.48	1.380/35.05	1.485/37.72	
-130	2X30	1.885/47.88	1.525/38.74	1.450/36.83	1.630/41.40	1.735/44.07	
-135	2X35	2.135/54.23	1.775/45.08	1.700/43.18	1.880/47.75	1.985/50.42	
-140	2X40	2.385/60.58	2.025/51.43	1.950/49.53	2.130/54.10	2.235/56.77	
-145	2X45	2.635/66.93	2.275/57.78	2.200/55.88	2.380/60.45	2.485/63.12	
-150	2X50	2.885/73.28	2.525/64.14	2.450/62.23	2.630/66.80	2.735/69.47	.075/1.90
-150N	2X50	2.885/73.28	2.525/64.14	2.450/62.23	2.630/66.80	2.735/69.47	.125/3.18
-305	2X5	.635/16.13	.275/6.90	.200/5.08	.380/9.65	.485/12.32	.085/2.16
-310	2X10	.885/22.48	.525/13.34	.450/11.43	.630/16.00	.735/18.67	
-320	2X20	1.385/35.18	1.025/26.03	.950/24.133	1.130/28.70	1.235/31.37	
-330	2X30	1.885/47.88	1.525/38.74	1.450/36.83	1.630/41.40	1.735/44.07	
-345	2X45	2.635/66.93	2.275/57.78	2.200/55.88	2.380/60.45	2.485/63.12	.085/2.16
-510	2X10	.885/22.48	.525/13.34	.450/11.43	.630/16.00	.735/18.67	.125/3.18
-515	2X15	1.135/28.83	.775/19.68	.700/17.78	.880/22.35	.985/25.02	
-520	2X20	1.385/35.18	1.025/26.03	.950/24.13	1.130/28.70	1.235/31.37	
-525	2X25	1.635/41.52	1.275/32.38	1.200/30.48	1.380/35.05	1.485/37.72	
93120 OR 87402 -530	2X30	1.885/47.88	1.525/38.74	1.450/36.83	1.630/41.40	1.735/44.07	.125/3.18

mat'l. code		surface		tolerance		projection		product family	
-		ISO 1302		ISO 406 ISO 1101				RIBCAGE	
ltr	ecn no	dr	date	tolerances unless otherwise specified					
N				angles	linear	.XX±.01/0.3	INCH/MM		title
						.XXX±.005/0.13	scale 3:1		RIBCAGE HORIZONTAL HEADER ASSEMBLY
				0'±x'		.XXX±.0020/0.051			dwg no
				dr	M. CORNMAN	6/6/95			sheet 3 of 4
				enr	D. WHITING	6/6/95			size
				chr	D. WHITING	6/6/95			A3
				appd	D. WHITING	6/6/95			type
									Product Customer Drawing
sheet	revision								
index	sheet								



Copyright FCJ

PRODUCT NUMBER
SEE TABLE



RECOMMENDED P.C.B. LAYOUT
SCALE 20/1

NOTES:

1. HOUSING MATERIAL:
GLASS FILLED THERMOPLASTIC FLAME RETARDANT PER UL 94V-0.
COLOR: NATURAL.
2. TERMINAL PLATING:
30u"/.76u MIN HARD Au OVER 50u"/1.27uNi ON CONTACT ZONES.
200u"/5.08u MIN Sn OVER 50u"/1.27u Ni IN SOLDERING ZONES.
3. CORING IN CENTER TO BE PRESENT ON PARTS THAT ARE 2X40 OR LARGER.
4. SUGGESTED FASTENERS:
#2 HI-LO THREAD 1/4" PANHEAD.
FASTECH INC.
(516) 242-5699

OR;
#1 CAPHEAD SCREW (3/8" LONG) AND NUT FOR (.062/1.57 BOARD).
5. 93120 AND 87402 ARE THE SAME. PLEASE ORDER AS 93120.
6. ADD "LF" SUFFIX AT THE END OF PART NUMBER FOR LEAD FREE OPTION.
7. THIS PRODUCT MEETS EUROPEAN UNION DIRECTIVES AND OTHER COUNTRY REGULATION AS DESCRIBED IN GS-22-008.
8. THE HOUSING WILL WITHSTAND EXPOSURE TO 260°C PEAK TEMPERATURE FOR 15 SECONDS IN A WAVE SOLDER APPLICATION WITH A 1.5mm MINIMUM THICK CIRCUIT BOARD. SEE APPLICATION NOTES/PROCEDURES IF THEY ARE AVAILABLE.
9. MOLDING FLOW RESTRICTOR QUANTITY AND LOCATION IS MANUFACTURING OPTION.
10. VACUUM CAP SLOT REQUIRED ON ALL SIZES, SLOT MAY BE LOCATED ON OPPOSITE SIDE FOR 2 X 5.

mat'l. code		surface		tolerance		projection		product family	
-		ISO 1302		ISO 406 ISO 1101				RIBCAGE	
ltr	ecn no	dr	date	tolerances unless otherwise specified		INCH/MM		title	
N				angles	linear	.XX±.01/0.3 .XXX±.005/0.13 .XXXX±.0020/0.051		RIBCAGE HORIZONTAL HEADER ASSEMBLY	
				O'±x'		scale 3:1		dwg no	
				dr	M. CORNMAN	6/6/95		sheet 4 of 4 size	
				enrg	D. WHITING	6/6/95		95780 A3	
				chr	D. WHITING	6/6/95		type	
				appd	D. WHITING	6/6/95		Product Customer Drawing	
sheet	revision								
index	sheet								