

PLEASE CHECK WWW.MOLEX.COM FOR LATEST PART INFORMATION

Part Number: [0533532071](#)
Status: **Active**
Description: 0.80mm (.031") Pitch Header, Surface Mount, Dual Row, Vertical Stacking, 7.00 and 8.00mm (.276 and .315") Stacking Heights, Lead-free, 20 Circuits

Documents:

[3D Model](#) [Product Specification PS-52588-032 \(PDF\)](#)
[Drawing \(PDF\)](#) [RoHS Certificate of Compliance \(PDF\)](#)
[Product Specification PS-52465-010 \(PDF\)](#)

General

Product Family	PCB Headers
Series	53353
Application	Board-to-Board
Product Name	N/A

Physical

Breakaway	No
Circuits (Loaded)	20
Circuits (maximum)	20
Durability (mating cycles max)	30
Glow-Wire Compliant	No
Lock to Mating Part	None
Mated Height (in)	0.276 In, 0.315 In
Mated Height (mm)	7.00 mm, 8.00 mm
Material - Metal	Phosphor Bronze
Material - Plating Mating	Tin
Material - Plating Termination	Tin
Number of Rows	2
Orientation	Vertical
PCB Locator	No
PCB Retention	None
Packaging Type	Embossed Tape on Reel
Pitch - Mating Interface (in)	0.031 In
Pitch - Mating Interface (mm)	0.80 mm
Polarized to PCB	No
Stackable	No
Temperature Range - Operating	-20°C to +105°C
Termination Interface: Style	Surface Mount

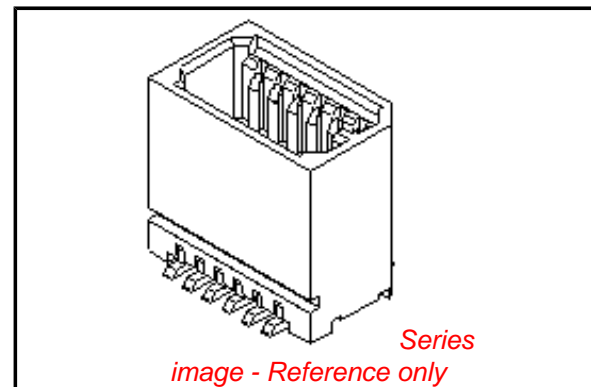
Electrical

Current - Maximum per Contact	0.5A
Voltage - Maximum	50V

Material Info

Reference - Drawing Numbers

Product Specification	PS-52465-010, PS-52588-032, RPS-52465-042, RPS-52465-044
Sales Drawing	SD-53353-003, SD-53353-004



EU RoHS

**ELV and RoHS
Compliant**
REACH SVHC
 Not Reviewed
**Halogen-Free
Status**
Not Reviewed

China RoHS



**Need more information on product
environmental compliance?**

Email productcompliance@molex.com
 For a multiple part number RoHS Certificate of Compliance, [click here](#)

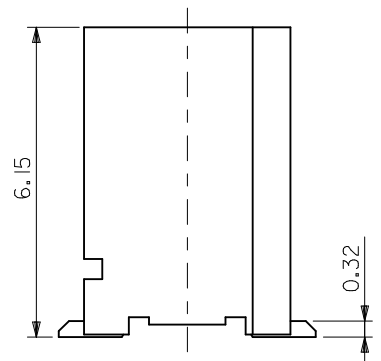
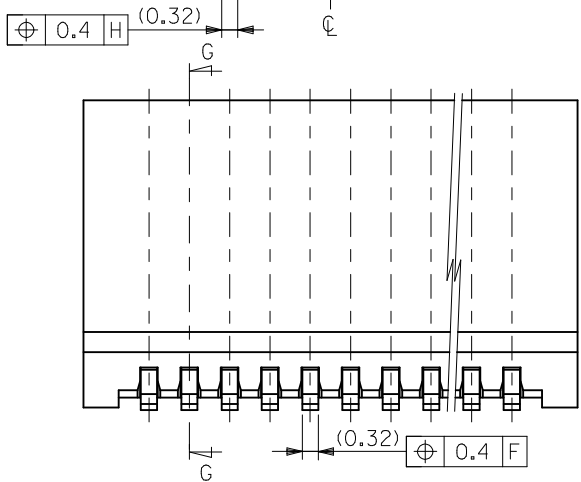
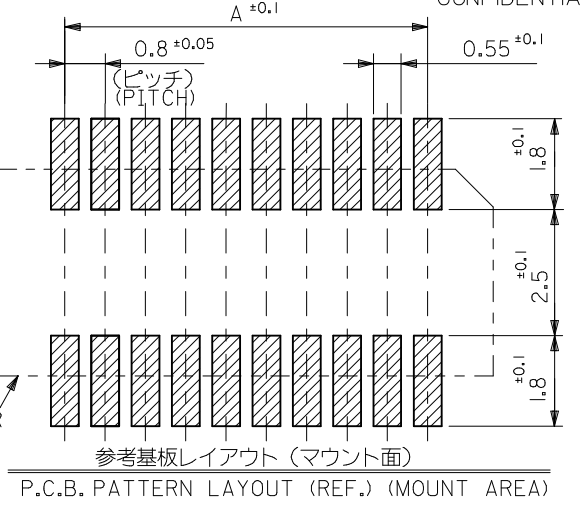
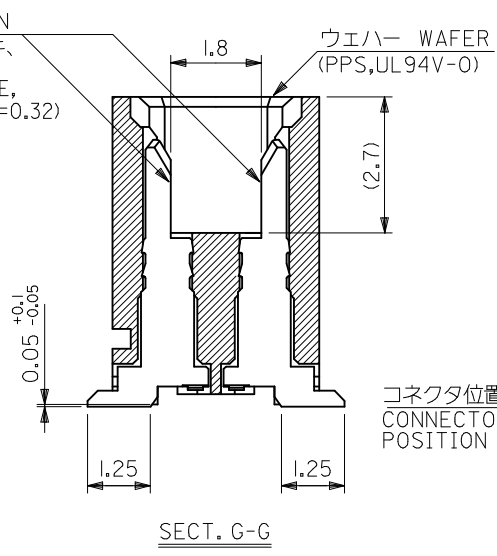
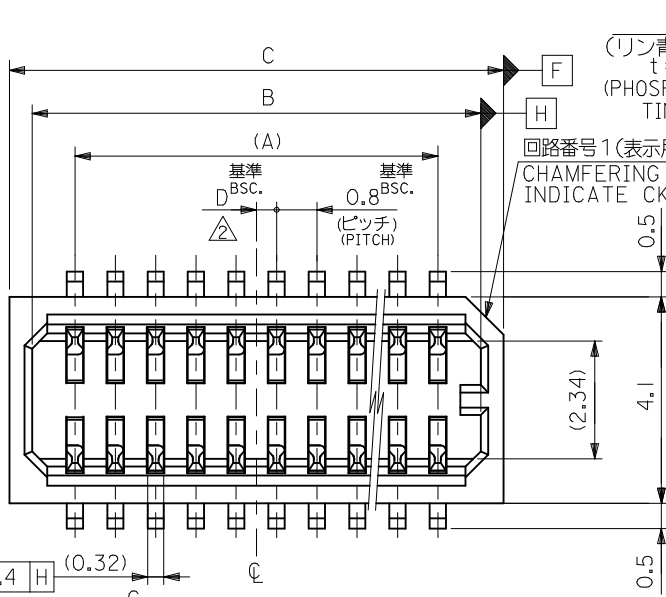
Please visit the [Contact Us](#) section for any non-product compliance questions.

Search Parts in this Series

[53353Series](#)

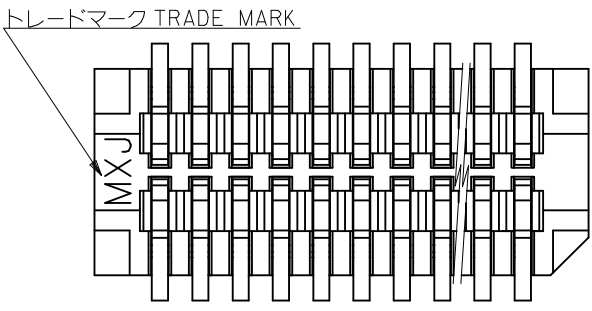
Mates With

[52465 PCB Receptacle](#), [52588 PCB Receptacle](#)



- 注記 NOTES**
1. 嵌合相手: 52465, 52588 シリーズ
MATES WITH : 52465, 52588 SERIES
 2. ウエハーの ϕ から隣接するピンの ϕ 迄の位置を示す。
SHOW POSITION FROM ϕ OF WAFER TO ϕ OF ADJACENT PINS.
 3. ELV 及び RoHS 適合品。
ELV AND ROHS COMPLIANT.
 4. テール平坦度: 0.1MAX.
COPLANARITY : 0.1MAXIMUM

0.4	17.8	16.9	15.2	---	53353-4071	40
0.4	16.2	15.3	13.6	---	53353-3671	36
0.8	13.8	12.9	11.2	53353-3029	53353-3071	30
0.4	13.0	12.1	10.4	---	53353-2871	28
0.8	10.6	9.7	8.0	---	53353-2271	22
0.4	9.8	8.9	7.2	---	53353-2071	20
0.8	9.0	8.1	6.4	---	53353-1871	18
0.4	8.2	7.3	5.6	---	53353-1671	16
0.8	7.4	6.5	4.8	---	53353-1471	14
0.4	6.6	5.7	4.0	---	53353-1271	12
0.8	5.8	4.9	3.2	---	53353-1071	10
D	C	B	A	TRAY PACKAGE	EMBOSSED PACKAGE	極数
				オーダー番号 ORDER NO.		CIRCUIT
				CONNECTOR SERIES No. : 53353-**29		

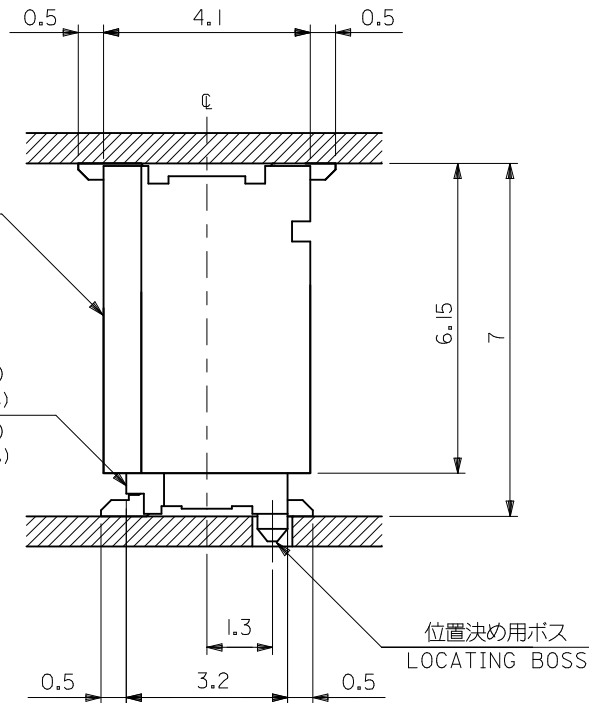


REVISED EC NO: J2010-0376 DRWN:TKAIHO 2009/09/25 CHKD:SMARUYAMA 2009/09/25 APPR:MSASAO 2009/09/25	DESCRIPTION GENERAL TOLERANCES (UNLESS SPECIFIED) 10 UNDER ± --- 10 OVER 30 UNDER ± --- 30 OVER ± --- ANGULAR ± --- ° DRAFT WHERE APPLICABLE MUST REMAIN WITHIN DIMENSIONS	DIMENSION STYLE MM ONLY	SCALE 	DESIGN UNITS METRIC	THIRD ANGLE PROJECTION 		
		DRAWN BY Y. WADA	DATE 2004/3/4	TITLE 0.8 B/B CONN. WAFER ASSY ST. SMT(WITHOUT BOSS)			
		CHECKED BY M. SASAO	DATE 2004/3/4	MOLEX INCORPORATED			
		APPROVED BY M. SASAO	DATE 2004/3/4	MATERIAL NO. SEE CHART	DOCUMENT NO. SD-53353-003	SHEET NO. 1 OF 2	

53353-***29 (位置決め用ボス無)
(WITHOUT LOCATING BOSS)

嵌合相手 MATES WITH
52465-***19 (位置決め用ボス付)
(WITH LOCATING BOSS)

52465-***29 (位置決め用ボス無)
(WITHOUT LOCATING BOSS)

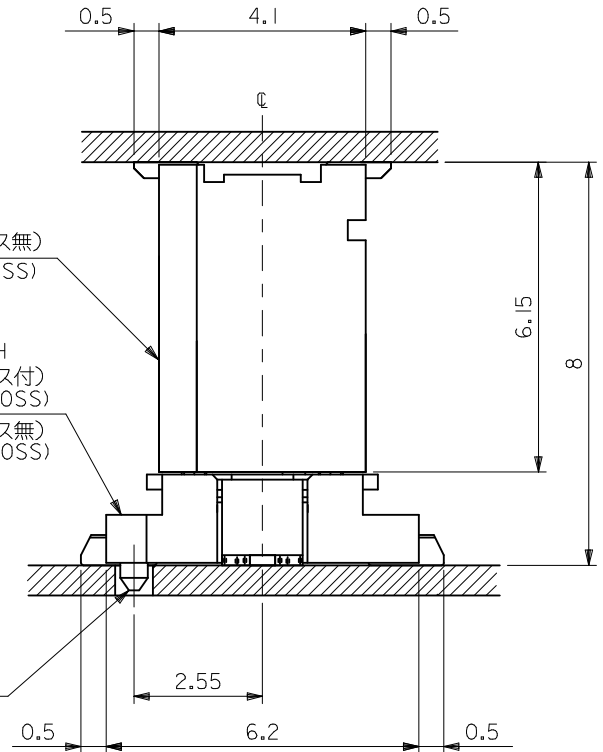


53353-***29 (位置決め用ボス無)
(WITHOUT LOCATING BOSS)

嵌合相手 MATES WITH
52588-**** (位置決め用ボス付)
(WITH LOCATING BOSS)

52588-**** (位置決め用ボス無)
(WITHOUT LOCATING BOSS)

位置決め用ボス
LOCATING BOSS



嵌合状態図 (参考)
MATED DRAWING (REF.)

REVISED	EC NO: J2010-0376	2009/09/25
	DRWN:TKAIHO	2009/09/25
	CHKD:SMARUYAMA	2009/09/25
	APPR:MSASAO	2009/09/25
REV	DESCRIPTION	
A		

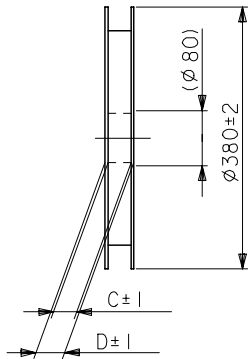
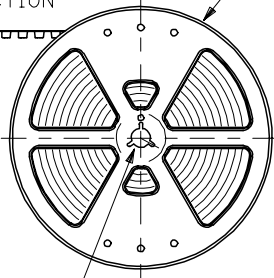
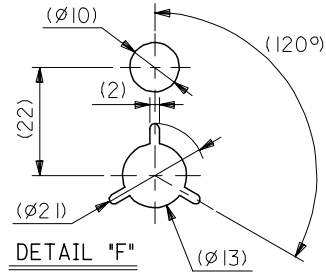
GENERAL TOLERANCES (UNLESS SPECIFIED)	
10 UNDER	± ---
10 OVER 30 UNDER	± ---
30 OVER	± ---
ANGULAR	± --- °
DRAFT WHERE APPLICABLE MUST REMAIN WITHIN DIMENSIONS	

DIMENSION STYLE	
MM ONLY	
DRAWN BY	DATE
Y. WADA	2004/3/4
CHECKED BY	DATE
M. SASAO	2004/3/4
APPROVED BY	DATE
M. SASAO	2004/3/4
MATERIAL NO.	
SEE CHART	
SIZE	
A3	

CONNECTOR SERIES No. : 53353-***29		
SCALE	DESIGN UNITS	THIRD ANGLE PROJECTION
---	METRIC	⊙ □
TITLE		
0.8 B/B CONN. WAFER ASSY ST. SMT(WITHOUT BOSS)		
MOLEX INCORPORATED		
DOCUMENT NO.	SHEET NO.	
SD-53353-003	2 OF 2	
THIS DRAWING CONTAINS INFORMATION THAT IS PROPRIETARY TO MOLEX INCORPORATED AND SHOULD NOT BE USED WITHOUT WRITTEN PERMISSION		

引き出し方向
PULL OUT DIRECTION

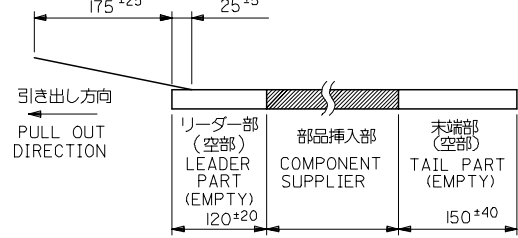
REEL



注記 NOTES

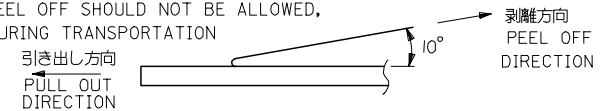
1. 梱包数量：1000個/リール NUMBER OF CONNECTORS:1000PCS/REEL
2. リードテープ長さ LEAD TAPE LENGTH

トップテープ TOP TAPE
リーダー部 LEADER PART トップテープ TOP TAPE
未接着部 NON-BONDED PART



3. トップテープの剥離強度：(剥離方向は下図参照)
0. 1~1. 3N {10~130gf} 尚、本規格値は、出荷時に適用。
(但し、輸送時に剥離が発生しない事。)

PEELING OFF FORCE OF TOP TAPE
0. 1~1. 3N {10~130gf} (PEELING DIRECTION AS SHOWN IN FOLLOWING FIG.)
THIS REQUIREMENT SHOULD BE APPLIED AT SHIPMENT
PEEL OFF SHOULD NOT BE ALLOWED,
DURING TRANSPORTATION

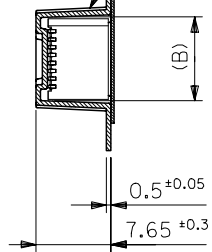


4. 材料 MATERIAL
キャリアテープ：ポリプロピレン (PP) CARRIER TAPE:POLYPROPYLENE
トップテープ：PET, PE, PEF TOP TAPE:PET,PE,PEF
リール：ポリスチレン (PS) REEL:POLYSTYRENE(PS)
<リサイクル材を含む> <RECYCLE MATERIAL CONTAIND>

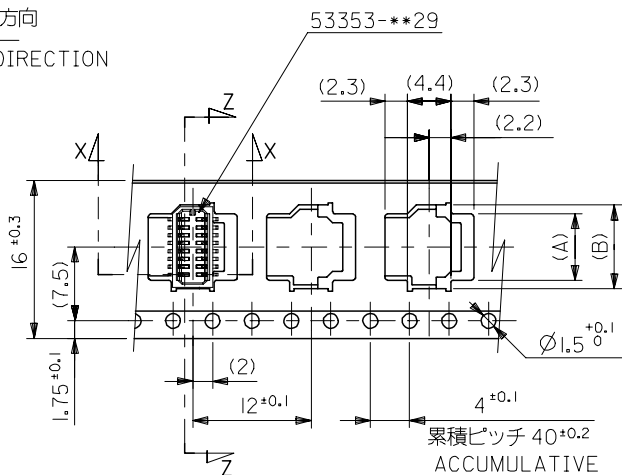
5. 本製品は53353-**-**91の鉛フリー品である。
THIS PRODUCT IS LEAD FREE OF 53353-**-**91.

引き出し方向
PULL OUT DIRECTION

トップテープ
TOP TAPE



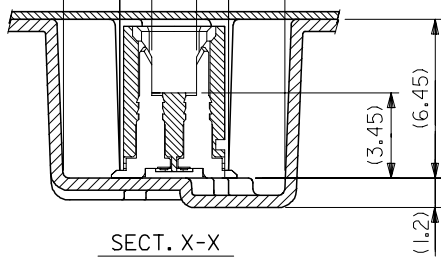
SECT. Z-Z



累積ピッチ 40±0.2
ACCUMULATIVE
PITCH 40±0.2

16mm幅キャリアテープ
16mm WIDTH CARRIER TAPE

(2.3) (4.4) (2.3)

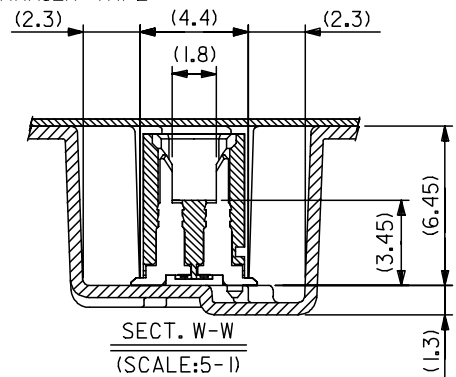
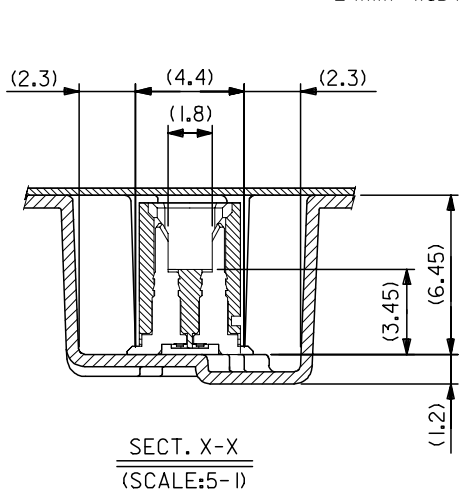
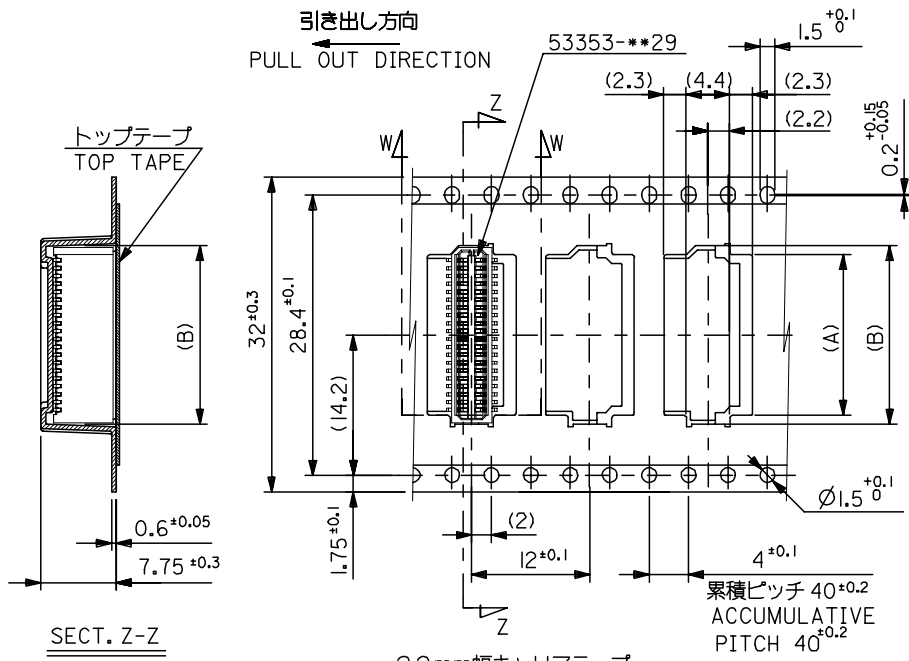
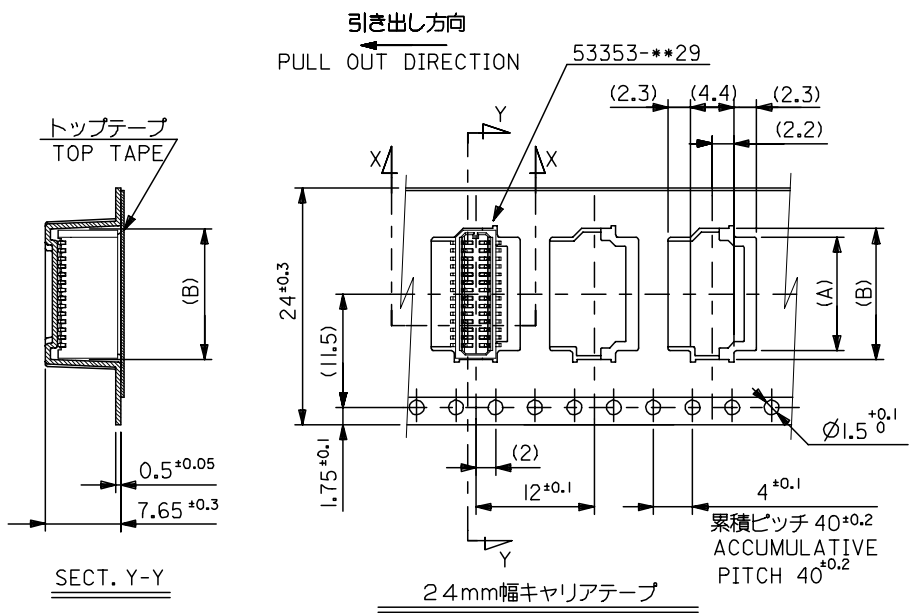


SECT. X-X
(SCALE:5-1)

16	21.4	17.4	8.5	6.7	53353-1671	16
			7.7	5.9	53353-1471	14
			6.9	5.1	53353-1271	12
			6.1	4.3	53353-1071	10
キャリアテープ幅 CARRIER TAPE WIDTH	D	C	(B)	(A)	MATERIAL NO.	極数 CIRCUIT

MODEL NO. 53353-**-**71

REVISED EC NO: J2005-2159 DRAWN: KENSUJUKI 2005/01/26 CHKD: NUKITA 2005/01/26 APPR: NUKITA 2005/02/02 REV: A	GENERAL TOLERANCES (UNLESS SPECIFIED)		DIMENSION STYLE MM ONLY		SCALE ---	DESIGN UNITS METRIC	THIRD ANGLE PROJECTION
	10 UNDER	±0.2	DRAWN BY YWADA	DATE 2004/03/04	TITLE 0.8 BTB CONN WAFER ASSY ST SMT WITHOUT BOSS EMBTP PKG -LEAD FREE-		
	10 OVER 30 UNDER	±0.25	CHECKED BY MSASAO	DATE 2004/03/04	APPROVED BY MSASAO 2004/03/04		
	30 OVER	±0.3	APPROVED BY MSASAO 2004/03/04		MOLEX INCORPORATED		
	ANGULAR	±3 °	MATERIAL NO. SEE CHART		DOCUMENT NO. SD-53353-004	SHEET NO. 1 OF 2	
DRAFT WHERE APPLICABLE MUST REMAIN WITHIN DIMENSIONS		THIS DRAWING CONTAINS INFORMATION THAT IS PROPRIETARY TO MOLEX INCORPORATED AND SHOULD NOT BE USED WITHOUT WRITTEN PERMISSION					



キャリアテープ幅 CARRIER TAPE WIDTH		32mm幅キャリアテープ 32mm WIDTH CARRIER TAPE		MODEL NO.		53353-***71
D	C	(B)	(A)	MATERIAL NO.	極数 CIRCUIT	
32	37.4	33.4	18.1	16.3	53353-4071	40
			16.5	14.7	53353-3671	36
24	29.4	25.4	14.1	12.3	53353-3071	30
			13.3	11.5	53353-2871	28
			10.9	9.1	53353-2271	22
			10.1	8.3	53353-2071	20
			9.3	7.5	53353-1871	18

REVISED EC NO: J2005-2159 DRAWN: KENSUJUKI 2005/01/26 CHK'D: NUKITA 2005/01/26 APPR: NUKITA 2005/02/02	GENERAL TOLERANCES (UNLESS SPECIFIED)		DIMENSION STYLE MM ONLY		SCALE ---	DESIGN UNITS METRIC	THIRD ANGLE PROJECTION	
	10 UNDER ±0.2	10 OVER 30 UNDER ±0.25	30 OVER ±0.3	ANGULAR ±3°	DRAWN BY YWADA	DATE 2004/03/04	TITLE 0.8 BTB CONN WAFER ASSY ST SMT WITHOUT BOSS EMBTP PKG -LEAD FREE-	
	DRAFT WHERE APPLICABLE MUST REMAIN WITHIN DIMENSIONS		SEE CHART		APPROVED BY MSASAO		DATE 2004/03/04	MOLEX INCORPORATED
	MATERIAL NO.		DOCUMENT NO. SD-53353-004		SHEET NO. 2 OF 2		THIS DRAWING CONTAINS INFORMATION THAT IS PROPRIETARY TO MOLEX INCORPORATED AND SHOULD NOT BE USED WITHOUT WRITTEN PERMISSION	