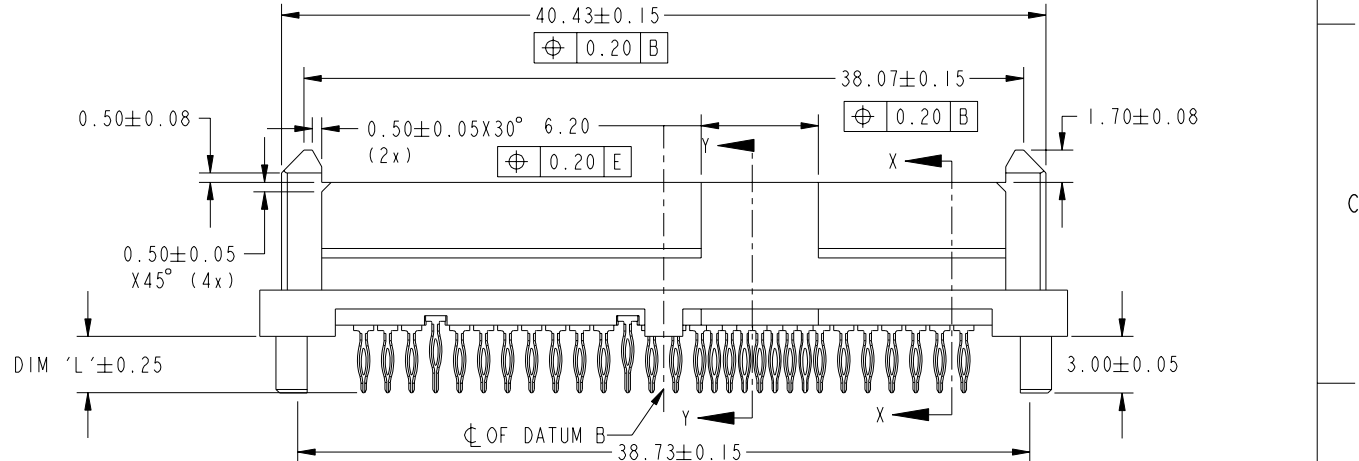
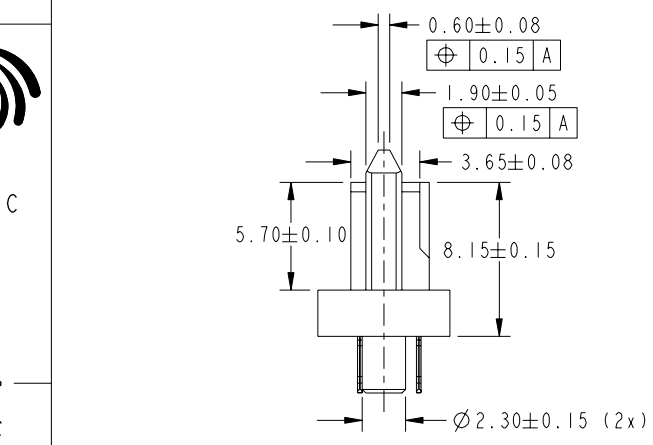
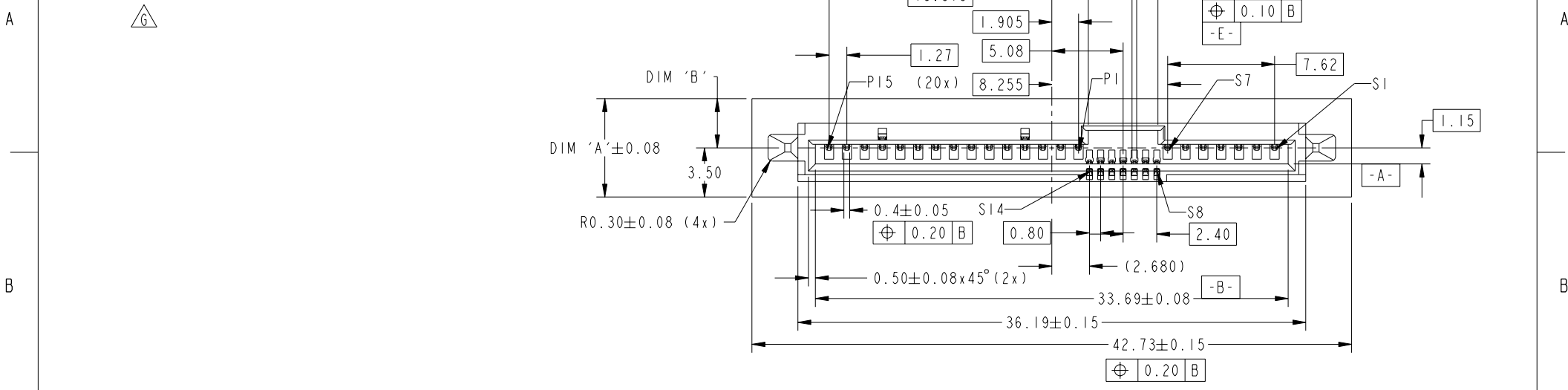


PRODUCT NO	DIM 'A'	DIM 'B'	DIM 'L'	PLATING	RECOMMENDED P.C. BOARD THICKNESS
10045782-001LF	7.00	3.50	3.50	NOTE 2	2.67mm (0.105") - 3.175mm(0.125")
10045782-011LF	6.00	2.50			
10045782-001	7.00	3.50		NOTE 3	
10045782-011	6.00	2.50			



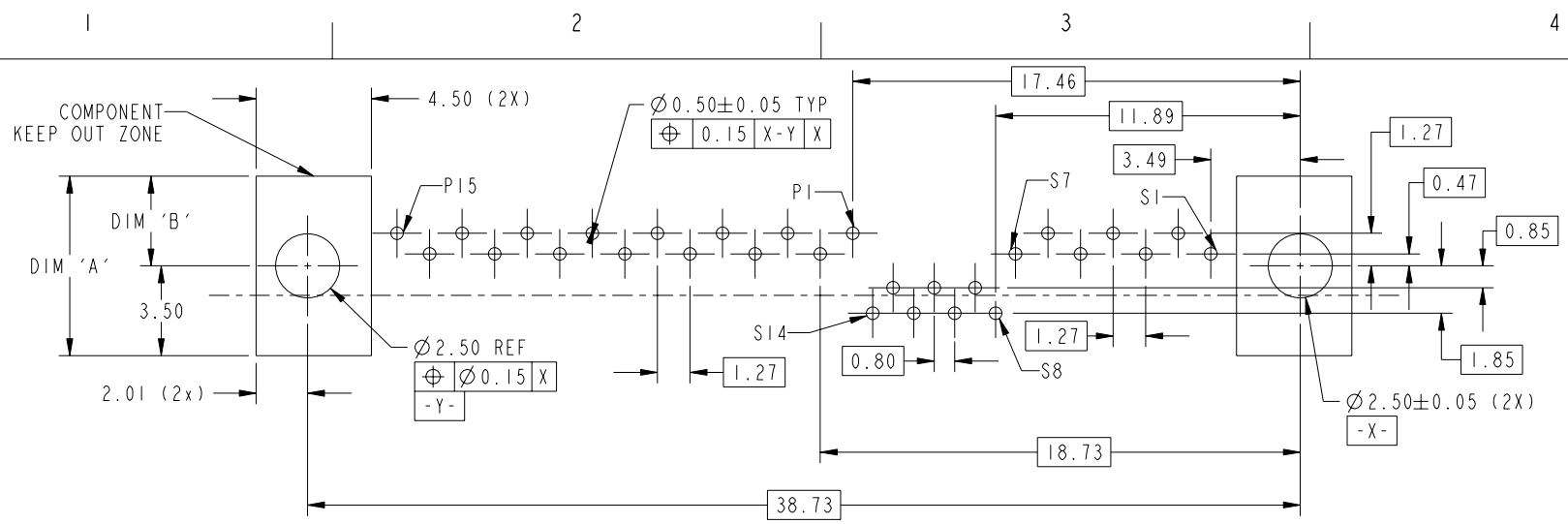
Copyright FCI.

rev	ecn no	dr	date
A	S05-0043	SSYEO	2005-07-26
B	S05-0294	SSYEO	2005-10-18
C	S06-0202	JTAN	2006-06-08
D	S06-0267	PCHUA	2006-08-04
E	S07-0256	WLC	2007-07-26
F	S09-0206	BLLIM	2009-06-18
G	S09-0322	BLLIM	2009-10-20

www.fci.com		surface	tolerance std	projection	MM
			ASME Y14.5		
		TOLERANCES UNLESS OTHERWISE SPECIFIED			
Dr	YEO SS	2005-07-26	ANGULAR	size	Scale
Eng	BL LIM	2009-10-20	LINEAR	A4	3:1
Chr	BL LIM	2009-10-20	0° ±2°	ECN	S09-0322
Appr	JOEY NG	2009-10-20	Product family	Spec ref	SEE NOTES
		SAS			
FCI		SAS RECEPTACLE PF STAGGER		dwg no	10045782
		title			Rev. G
		catalog no		CUSTOMER	sheet 1 of 2

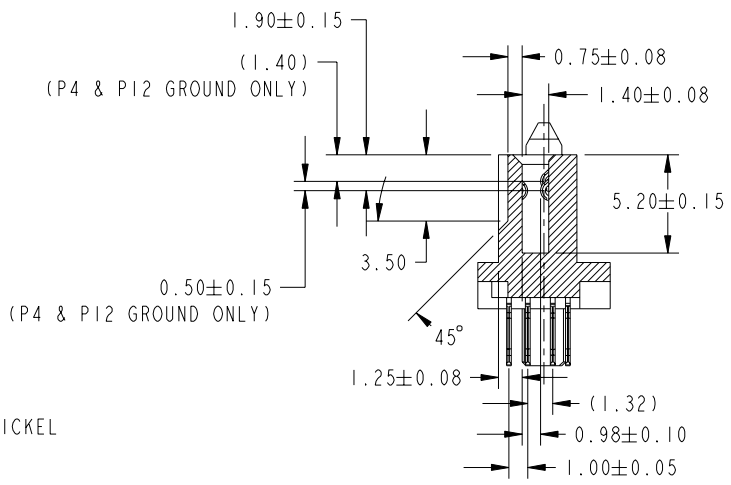
REV F - 2006-04-11

PRODUCT NO
SEE TABLE

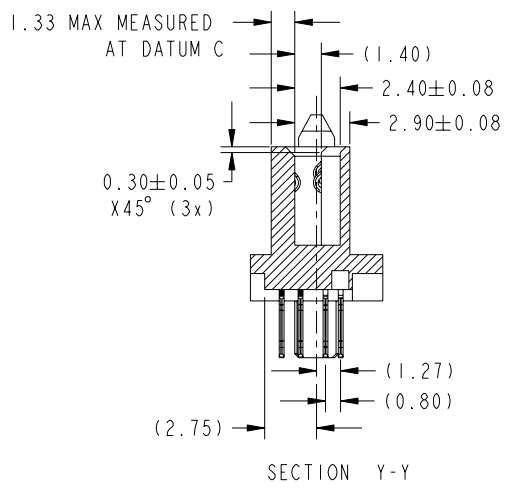


RECOMMENDED PCB LAYOUT

HOLE	A	REMARK
HOLE DIAMETER AFTER PLATING	0.45-0.55 mm	FOR -XXX & -XXXLF
DRILLED HOLE	0.58-0.62 mm	
COPPER PLATING	25-50 um	
Sn PLATING	5-15 um	FOR -XXXLF ONLY
Sn-Pb PLATING	5-15 um	FOR -XXX ONLY



SECTION X-X



SECTION Y-Y

- NOTE:
- MATERIAL:
 - A) HOUSING: HIGH TEMPERATURE THERMOPLASTIC, UL 94V-0 COLOUR: BLACK
 - B) TERMINAL; COPPER ALLOY
 - C) HOLD DOWN: COPPER ALLOY
 - FINISH (LEAD-FREE):
 - A) TERMINAL: 30u" Au PLATING (CONTACT POINT) OVER 50u" NICKEL
 - B) PRESSFIT TAIL: 20u" MIN - 60u" MAX Sn OVER 50u" NICKEL
 - C) HOLD DOWN: 50u" min Sn OVER 50u" NICKEL
 - FINISH (TIN LEAD):
 - A) TERMINAL: 30u" Au PLATING (CONTACT POINT) OVER 50u" NICKEL
 - B) PRESSFIT TAIL: 20u" MIN - 60u" MAX Sn-Pb OVER 50u" NICKEL
 - C) HOLD DOWN: 50u" min Sn-Pb OVER 50u" NICKEL
 - PER SFF REV 1.4 EXCEPT 0.8mm PITCH BUMP AREA.
 - THE HOUSING WILL WITHSTAND EXPOSURE TO 260°C PEAK TEMPERATURE FOR 10 SECONDS IN A CONVECTION, INFRA-RED OR VAPOR PHASE REFLOW OVEN.
 - THIS PRODUCT MEETS EUROPE UNION DIRECTIVES AND OTHER COUNTRY REGULATIONS AS DESCRIBED IN GS-22-008.
 - A $\triangle G$ SYMBOL WILL BE NEXT TO ANY DIMENSION, VIEW, OR NOTE WHICH HAS BEEN MODIFIED WITH THE CURRENT DRAWING REVISION.
 - NOTE 6 NOT APPLICABLE TO TIN LEAD PLATING P/N XXXXXXXX-XXX $\triangle G$ TABLE.



title SAS RECEPTACLE PF STAGGER
catalog no

dwg no 10045782
CUSTOMER sheet 2 of 2
Rev. G