

PLEASE CHECK WWW.MOLEX.COM FOR LATEST PART INFORMATION

Part Number: [0740650001](#)
Status: **Active**
Description: 1.27mm (.050") Pitch GBIC Receptacle; EBBI™ 50D Receptacle, Right Angle SCA-2, 20 Circuits

Documents:

[3D Model](#) [Product Specification PS-73826-0000 \(PDF\)](#)
[Drawing \(PDF\)](#) [RoHS Certificate of Compliance \(PDF\)](#)

Agency Certification

CSA LR19980
 UL E29179

General

Product Family I/O Connectors
 Series [74065](#)
 Application Board-to-Board
 Component Type Receptacle
 Product Name GBIC
 Type N/A

Physical

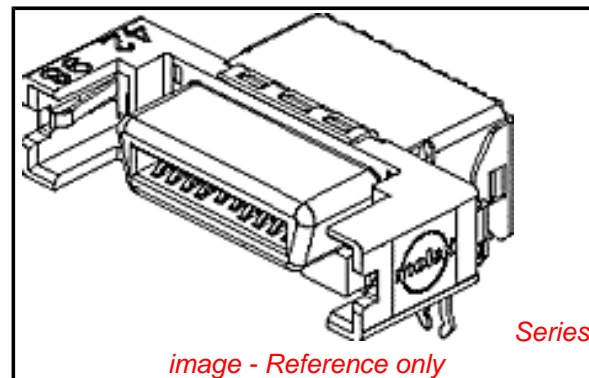
Circuits (Loaded) 20
 Color - Resin Black
 Durability (mating cycles max) 500
 Flammability 94V-0
 Gender Receptacle
 Lock to Mating Part Yes
 Material - Metal Phosphor Bronze
 Material - Plating Mating Gold
 Material - Plating Termination Tin
 Material - Resin High Temperature Thermoplastic
 Number of Rows 2
 Orientation Right Angle
 PCB Retention Yes
 PCB Thickness Recommended (in) 0.080 In
 PCB Thickness Recommended (mm) 2.00 mm
 Packaging Type Tray
 Panel Mount Yes
 Pitch - Mating Interface (in) 0.050 In
 Pitch - Mating Interface (mm) 1.27 mm
 Plating min: Mating (µin) 30
 Plating min: Mating (µm) 0.75
 Plating min: Termination (µin) 75
 Plating min: Termination (µm) 1.875
 Polarized to Mating Part Yes
 Surface Mount Compatible (SMC) Yes
 Temperature Range - Operating -40°C to +105°C
 Termination Interface: Style Through Hole
 Waterproof / Dustproof No

Electrical

Current - Maximum per Contact 1A
 Voltage - Maximum 30V

Solder Process Data

Lead-free Process Capability Wave Capable (TH only)



EU RoHS

**ELV and RoHS
 Compliant**
REACH SVHC
 Not Reviewed
**Halogen-Free
 Status**
 Not Reviewed

China RoHS



**Need more information on product
 environmental compliance?**

Email productcompliance@molex.com
 For a multiple part number RoHS Certificate of
 Compliance, [click here](#)

Please visit the [Contact Us](#) section for any
 non-product compliance questions.

Search Parts in this Series

[74065Series](#)

Material Info

Reference - Drawing Numbers

Product Specification

PS-73826-0000

Sales Drawing

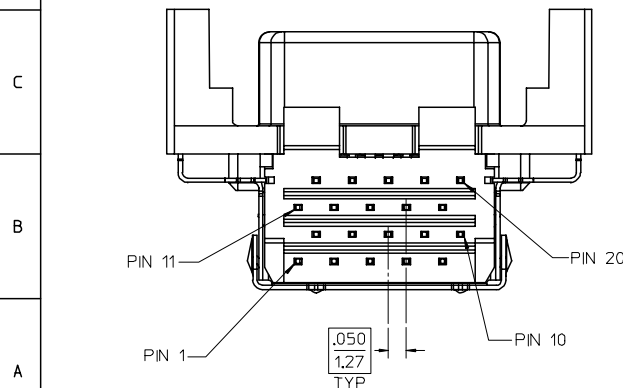
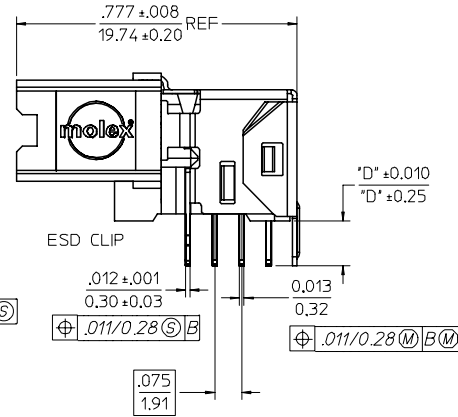
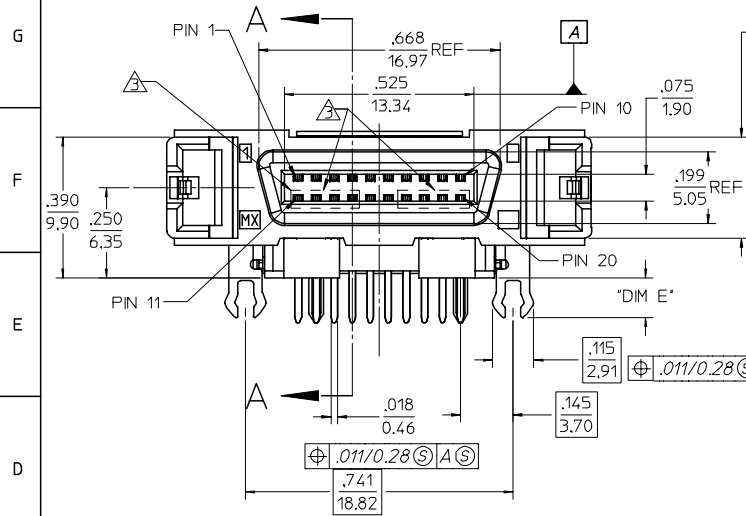
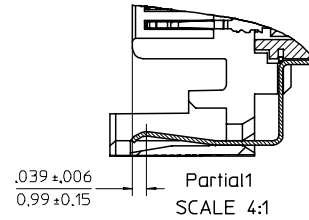
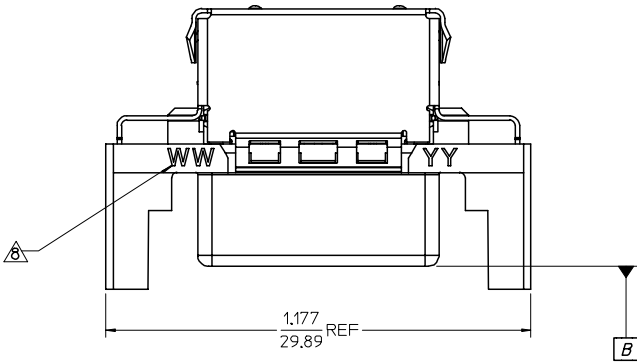
SD-74065-001

This document was generated on 04/08/2010

PLEASE CHECK WWW.MOLEX.COM FOR LATEST PART INFORMATION

NOTES:

- 1) MATERIALS:
HOUSING AND TAIL ALIGNER: HIGH TEMPERATURE NYLON, GLASS FILLED, UL 94V-0, BLACK.
TERMINALS - COPPER ALLOY.
ESD CLIP & SHIELD - COPPER ALLOY.
- 2) FINISHES:
TERMINAL: GOLD (Au) IN THE CONTACT AREA, THICKNESS=0.76 MICROMETER (30 MICROINCH) MINIMUM, TIN (Sn) IN THE PC TAIL AREA, THICKNESS=1.90 MICROMETER (75 MICROINCH) MINIMUM, NICKEL (Ni) UNDERPLATE OVERALL.
SHIELD: TIN (Sn), THICKNESS=3.81 MICROMETER (150 MICROINCH) MINIMUM, NICKEL (Ni) UNDERPLATE OVERALL.
- 3) CIRCUIT NUMBERS 11 THRU 14 AND 17 THRU 20 ARE ADVANCED (LONG) TERMINAL FOR FIRST MATE/LAST BREAK OF SEQUENTIAL MATING.
- 4) CONNECTOR WILL ACCEPT MATING TO A PC BOARD CARD EDGE WITH A THICKNESS OF .062 +.005 - .007".
- 5) THE TWO .060/1.52 HOLES NECESSARY ONLY FOR MOLEX PART NUMBERS 74065-0001, -0002, -0005, & -0016
- 6) THE PRIMARY SHIPPING CARTON WILL BE LABELED "COMPLIANT TO RoHS DIRECTIVE 2002/95/EC AND ELV ANNEX II OF DIRECTIVE 2000/53/EC". CARTONS WITHOUT THIS LABEL MAY CONTAIN PRODUCT WITH LEAD.
- 7) CONFORMS TO MOLEX PRODUCT SPECIFICATION PS-73826-0000.
- 8) A 4 DIGIT DATE CODE (WK YR-EXAMPLE 42 98) TO BE LOCATED IN AREA SHOWN.
- 9) PRODUCT CONFORMS TO SPECIFICATIONS PER SMALL FORM FACTOR DOCUMENT FOR GIGABIT INTERFACE CONVERTER (GIBC).

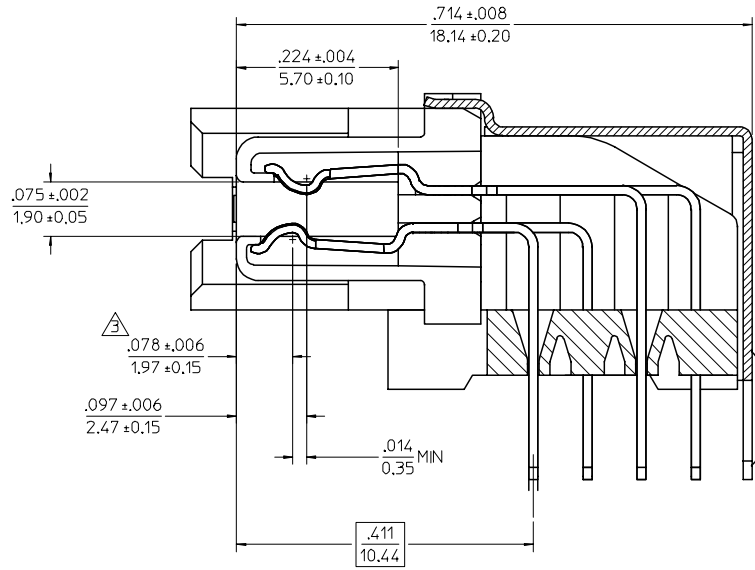


NOTE FOR LEAD FREE CONVERSION:

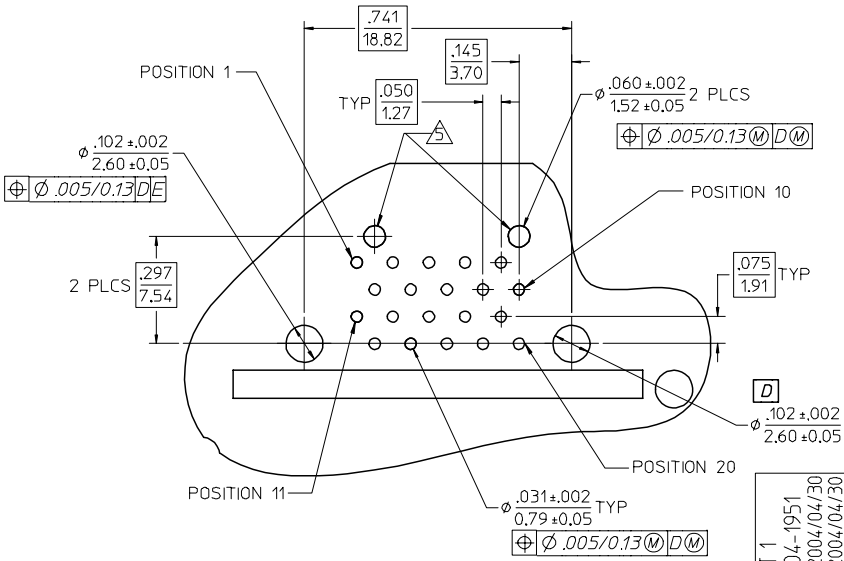
THE PRIMARY SHIPPING CARTON WILL BE LABELED "COMPLIANT TO RoHS DIRECTIVE 2002/95/EC AND ELV ANNEX II OF DIRECTIVE 2000/53/EC". CARTONS WITHOUT THIS LABEL MAY CONTAIN PRODUCT WITH LEAD.

PART NUMBER	DIM "D"	DIM "E"	SHIELDING OPTION	BOARD THICKNESS
74065-0001	.125	.110	SHIELDING PEG	.062 - .079
74065-0002	.150	.140	SHIELDING PEG	.080 - .110
74065-0003	.125	.110	NO PEG	.062 - .079
74065-0004	.150	.140	NO PEG	.080 - .110
74065-0005	.100	.110	SHIELDING PEG	.062 - .079
74065-0006	.100	.110	NO PEG	.062 - .079
74065-0013	.125	.110	NO PEG	.062 - .079
74065-0015	.125	.110	NO PEG	.062 - .079

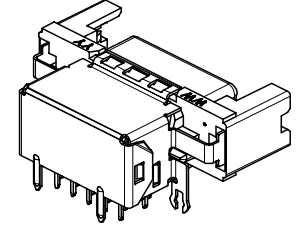
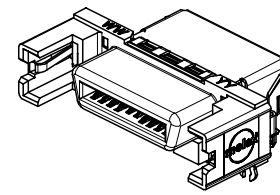
REVISED PER EC NO.:UCP2004-1951 DRWN:BBARKER004/04/30 CHK: SMILLER2004/04/30 APPR:BEVAZIE2004/05/05	QUALITY SYMBOLS -0 -0	GENERAL TOLERANCES (UNLESS SPECIFIED)		SCALE 4:1	DESIGN UNITS INCH	THIRD ANGLE PROJECTION	REVISE ON CAD ONLY					
		mm	INCH	DIMENSION STYLE MM/IN		SALES ASMY FOR 20 KKT SCA-2 R/A SHIELDED GIBC RECEPTACLE						
H	REV	4 PLACES ± --- ± ---	3 PLACES ± --- ± 0.005	2 PLACES ± 0.13 ± 0.01	1 PLACE ± 0.25 ± ---	ANGULAR ± 1/2 °	DRAWN BY HPA	DATE 12/17/98	CHECKED BY MB	DATE 12/18/98	MOLEX INCORPORATED	
		DRAFT WHERE APPLICABLE MUST REMAIN WITHIN DIMENSIONS		APPROVED BY MB	DATE 12/18/98	MATERIAL NO. SEE CHART	DOCUMENT NO. SD-74065-001	SHEET NO. 1 OF 2				



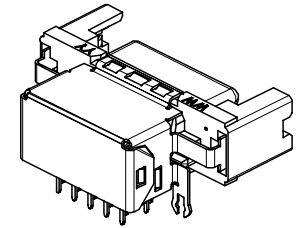
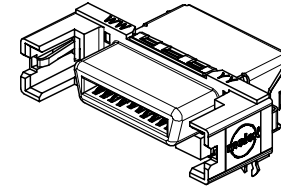
SECTION A-A



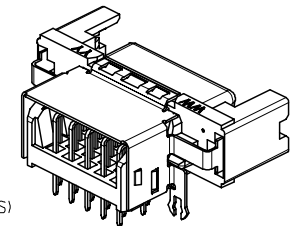
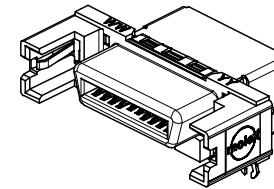
RECOMMENDED PC BOARD
MOUNTING DIMENSIONS
COMPONENT SIDE
SCALE 4:1



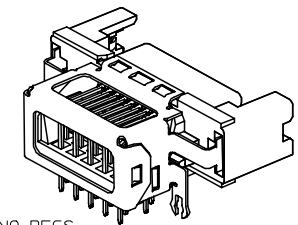
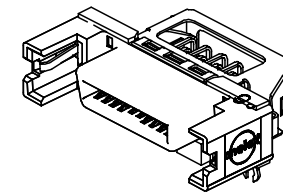
STANDARD SHIELD WITH PEGS
74065-0001, -0002, -0005, -0016



STANDARD SHIELD WITHOUT PEGS
74065-0003, -0004, -0006



OPEN BACK SHIELD (NO PEGS)
74065-0015



OPEN TOP SHIELD, NO PEGS
74065-0013

SEE SHT 1 EC NO: UCP2004-1951 DRWN: BBARKER004/04/30 CHK: SMILLER2004/04/30 APPR: BVEAZIE2004/05/05	QUALITY SYMBOLS	GENERAL TOLERANCES (UNLESS SPECIFIED)		SCALE 8:1	DESIGN UNITS INCH	THIRD ANGLE PROJECTION	REVISE ON CAD ONLY		
	▽ 0 ◻ 0		mm	INCH	DIMENSION STYLE MM/IN		SALES ASMY FOR 20 CKT SCA-2 R/A SHIELDED GBIC RECEPTACLE		
		4 PLACES	± ---	± ---	DRAWN BY HPA	DATE 12/17/98			
		3 PLACES	± ---	± 0.005	CHECKED BY MB	DATE 12/18/98	MOLEX INCORPORATED		
2 PLACES	± 0.13	± 0.01	APPROVED BY MB	DATE 12/18/98	MATERIAL NO. SEE CHART	DOCUMENT NO. SD-74065-001			
	1 PLACE	± 0.25	± ---	DRAFT WHERE APPLICABLE MUST REMAIN WITHIN DIMENSIONS		THIS DRAWING CONTAINS INFORMATION THAT IS PROPRIETARY TO MOLEX INCORPORATED AND SHOULD NOT BE USED WITHOUT WRITTEN PERMISSION			