

**PLEASE CHECK WWW.MOLEX.COM FOR LATEST PART INFORMATION**

**Part Number:** [0483400001](#)  
**Status:** **Active**  
**Description:** 2.54mm (.100") Pitch Smart Card Connector, 8 Circuits, Closed Switch, Through Hole, Lead free

**Documents:**

[Drawing \(PDF\)](#) [RoHS Certificate of Compliance \(PDF\)](#)  
[Product Specification PS-48340-001 \(PDF\)](#)

**General**

Product Family	Memory Card Sockets
Series	<a href="#">48340</a>
Button Type	N/A
Component Type	Receptacle (Card)
Product Name	Smart Card
Type	N/A

**Physical**

Card Detection Switch	Closed
Circuits (Loaded)	8
Color - Resin	Black
Durability (mating cycles max)	100,000
Ejector Button Side	No Ejector Button Present
Entry Angle	90° Angle (Side Entry)
Keying to Mating Part	None
Material - Metal	Phosphor Bronze
Material - Plating Mating	Gold
Material - Plating Termination	Tin
Material - Resin	Polyester
PCB Locator	Yes
PCB Mounting Side	N/A
PCB Retention	Yes
PCB Thickness Recommended (in)	0.062 In
PCB Thickness Recommended (mm)	1.57 mm
Packaging Type	Tray
Pitch - Mating Interface (in)	0.100 In
Pitch - Mating Interface (mm)	2.54 mm
Plating min: Mating (µin)	3
Plating min: Mating (µm)	0.076
Plating min: Termination (µin)	100
Plating min: Termination (µm)	2.54
Ports	1
Temperature Range - Operating	-40°C to +85°C
Termination Interface: Style	Through Hole

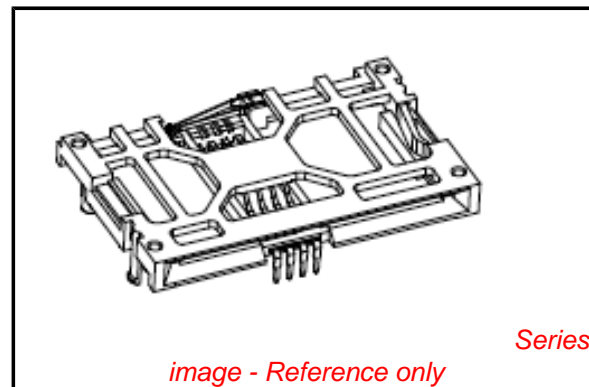
**Electrical**

Current - Maximum per Contact	1A
Voltage - Maximum	30V AC (RMS)

**Solder Process Data**

Duration at Max. Process Temperature (seconds)	10
Lead-free Process Capability	Reflow Capable (SMT only)
Max. Cycles at Max. Process Temperature	1
Process Temperature max. C	245

**Material Info**



**EU RoHS**

**ELV and RoHS  
Compliant**  
**REACH SVHC**  
 Not Reviewed  
**Halogen-Free  
Status**

**China RoHS**



**Not Reviewed**

**Need more information on product  
environmental compliance?**

Email [productcompliance@molex.com](mailto:productcompliance@molex.com)  
 For a multiple part number RoHS Certificate of Compliance, [click here](#)

Please visit the [Contact Us](#) section for any non-product compliance questions.

**Search Parts in this Series**  
[48340Series](#)

## Reference - Drawing Numbers

Packaging Specification

PK-48340-001

Product Specification

PS-48340-001

Sales Drawing

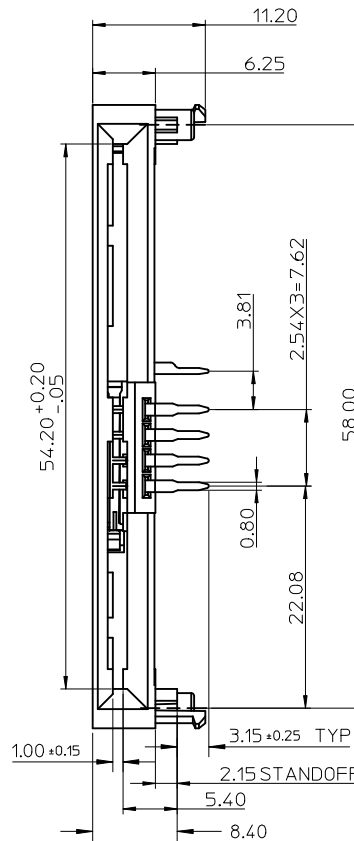
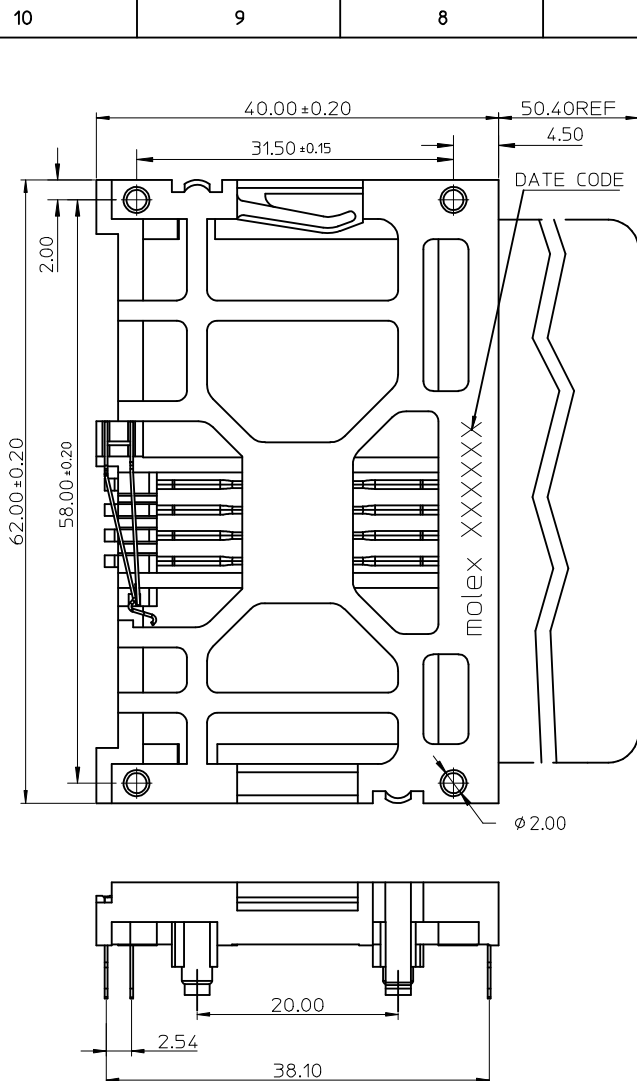
SD-48340-001

Test Summary

TS-48340-001

This document was generated on 06/01/2010

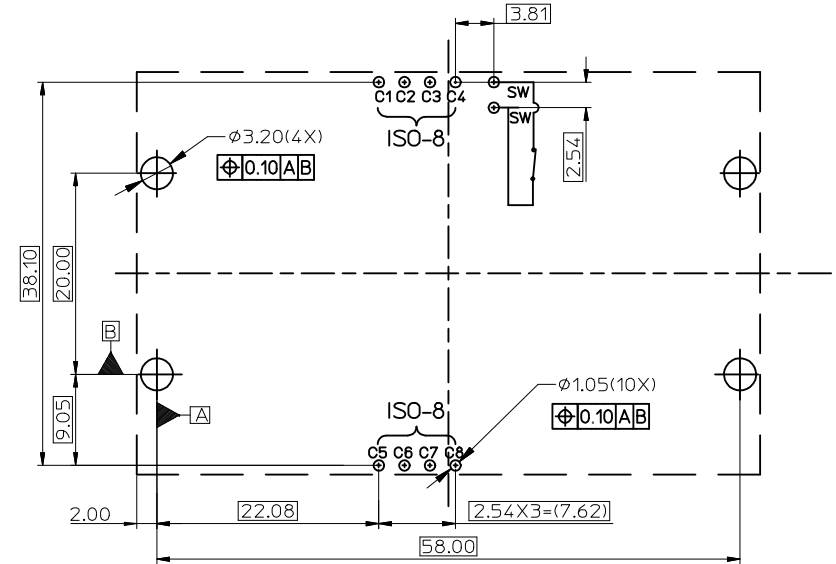
**PLEASE CHECK [WWW.MOLEX.COM](http://WWW.MOLEX.COM) FOR LATEST PART INFORMATION**



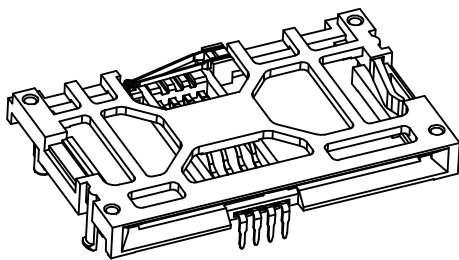
NOTES:

1. MATERIAL:  
TERMINAL & SWITCH : PHOSPHOR BRONZE;  
HOUSING: PLASTIC,UL94V-0.
2. FINISH:  
TERMINAL & SWITCH:  
CONTACT AREA: GOLD,THICKNESS=3 MICROINCH MIN/0.0762 MICROMETER MIN.  
SOLDER AREA: MATTE TIN,THICKNESS=100 MICROINCH MIN/2.54 MICROMETER MIN.  
UNDER PLATING: NICKEL ,THICKNESS=50 MICROINCH MIN/1.27 MICROMETER MIN.
3. LEAD FREE AND RoHS COMPLIANT PRODUCT.
4. PRODUCT SPECIFICATION REFER TO PS-48340-001.
5. PACKAGING SPECIFICATION REFER TO PK-48340-001.
6. TEST SUMMARY REFER TO TS-48340-001.
7. DATE CODE: XXXXXX

DAY (01.....31)  
MONTH (01.....12)  
YEAR (08=2008,09=2009.....)



Unit: mm; Tolerances:±0.05mm  
Reference dimension for PCB layout  
Recommended PCB thickness is 1.57±0.05mm



RELEASE EC NO: SH2009-0779 DRAWN: YANG05 CHKD: HHE APPR: RZHANG	REV A	DESCRIPTION 2009/07/21 2009/07/22 2009/08/01	QUALITY SYMBOLS ▽=0 ◻=0	GENERAL TOLERANCES (UNLESS SPECIFIED)		DIMENSION STYLE MM ONLY	SCALE 1:1	DESIGN UNITS METRIC	THIRD ANGLE PROJECTION
				mm	INCH	DRAWN BY GUANGHUI WEI	DATE 2009/05/08	TITLE SMART CARD READER CONNECTOR	
DRAFT WHERE APPLICABLE MUST REMAIN WITHIN DIMENSIONS				4 PLACES	± ---	± ---	MATERIAL NO. 48340-0001		
				3 PLACES	± ---	± ---			
ANGULAR ± 3 °				2 PLACES	± 0.15	± ---	DOCUMENT NO. SD-48340-001		
				1 PLACE	± 0.20	± ---			
SHEET NO. 1 OF 1				APPROVED BY HARVEY WANG		DATE 2009/05/08	MATERIAL NO. 48340-0001		
				APPROVED BY HARVEY WANG		DATE 2009/05/08			
SIZE A3				THIS DRAWING CONTAINS INFORMATION THAT IS PROPRIETARY TO MOLEX INCORPORATED AND SHOULD NOT BE USED WITHOUT WRITTEN PERMISSION					