

PLEASE CHECK WWW.MOLEX.COM FOR LATEST PART INFORMATION

Part Number: [0473065002](#)
Status: **Active**
Overview: [serial_ata_products](#)
Description: 1.27mm (.050") Pitch Serial ATA High Speed Header, Vertical, Surface Mount, with Locking Latch, 7 Circuits, 0.76µm (30µ") Gold (Au) Plating, Metal Post Length 2.65mm (.104"), with Mylar, Tape on Reel Package, Lead-free

Documents:

[3D Model](#) [Product Specification PS-67491-001 \(PDF\)](#)
[Drawing \(PDF\)](#) [RoHS Certificate of Compliance \(PDF\)](#)

Agency Certification

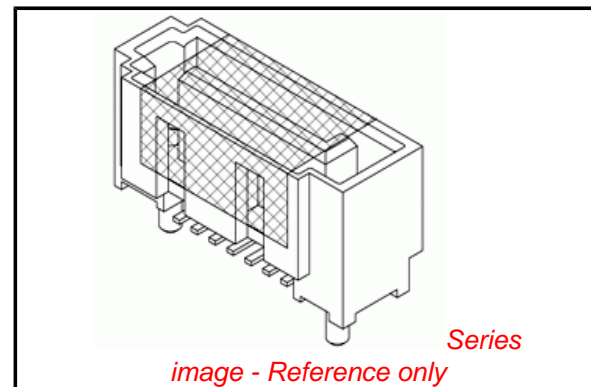
CSA LR 19980
 UL E29179

General

Product Family PCB Headers
 Series [47306](#)
 Application Board-to-Board
 Comments Staggered Solder Pin|Metal Post Length 2.65mm (.104")
 Overview [serial_ata_products](#)
 Product Name Serial ATA

Physical

Breakaway No
 Circuits (Loaded) 7
 Circuits (maximum) 7
 Color - Resin Black
 Durability (mating cycles max) 50
 First Mate / Last Break Yes
 Flammability 94V-0
 Glow-Wire Compliant No
 Guide to Mating Part Yes
 Keying to Mating Part Yes
 Lock to Mating Part Yes
 Mated Height (in) 0.331 In
 Mated Height (mm) 8.40 mm
 Material - Metal Brass
 Material - Plating Mating Gold
 Material - Plating Termination Tin
 Material - Resin High Temperature Thermoplastic
 Number of Rows 1
 Orientation Vertical
 PCB Locator Yes
 PCB Retention Yes
 Packaging Type Embossed Tape on Reel
 Pitch - Mating Interface (in) 0.050 In
 Pitch - Mating Interface (mm) 1.27 mm
 Pitch - Term. Interface (in) 0.050 In
 Pitch - Term. Interface (mm) 1.27 mm
 Plating min: Mating (µin) 30
 Plating min: Mating (µm) 0.76
 Plating min: Termination (µin) 50
 Plating min: Termination (µm) 1.27
 Polarized to Mating Part Yes
 Polarized to PCB Yes



EU RoHS

ELV and RoHS Compliant
REACH SVHC
 Not Reviewed
Halogen-Free Status

China RoHS



Need more information on product environmental compliance?

Email productcompliance@molex.com
 For a multiple part number RoHS Certificate of Compliance, [click here](#)

Please visit the [Contact Us](#) section for any non-product compliance questions.

Search Parts in this Series
[47306Series](#)

Robotic Placement	Vacuum Pick-Up Tape
Shrouded	Fully
Stackable	No
Temperature Range - Operating	-35°C to +85°C
Termination Interface: Style	Surface Mount

Electrical

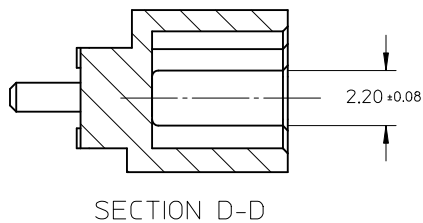
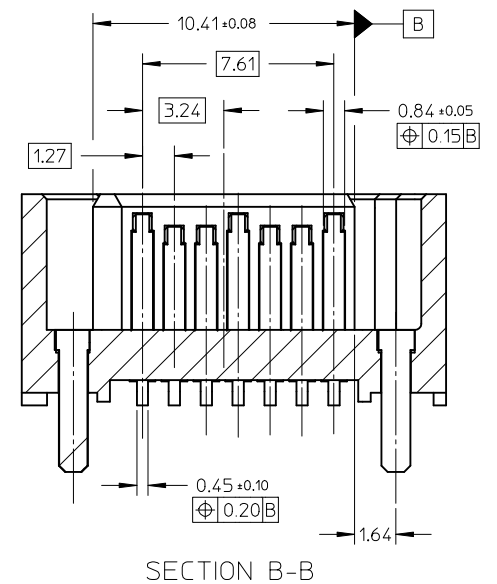
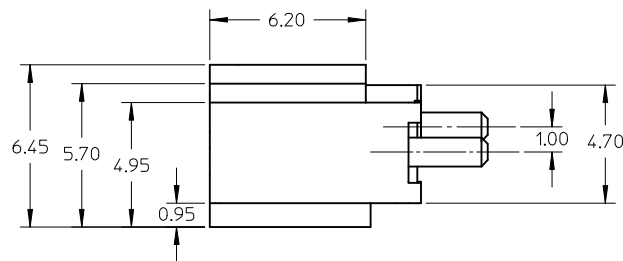
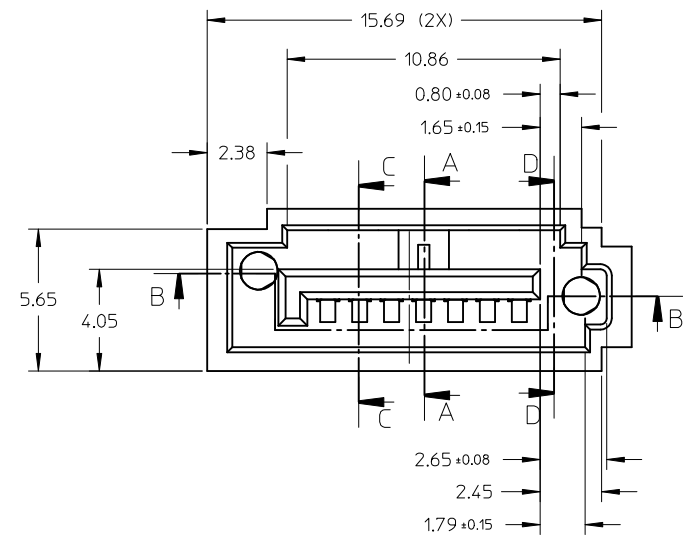
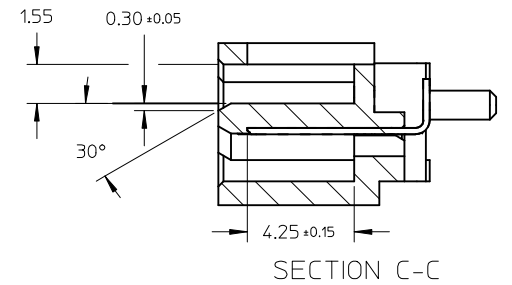
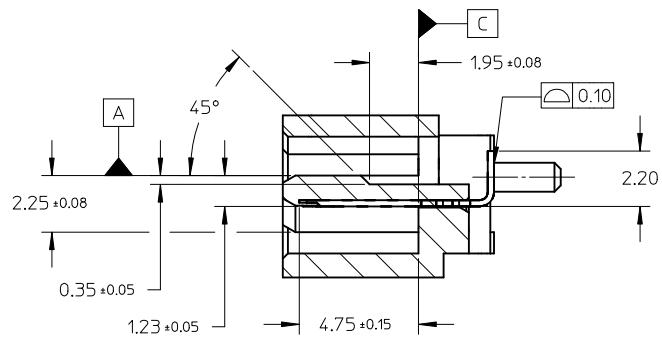
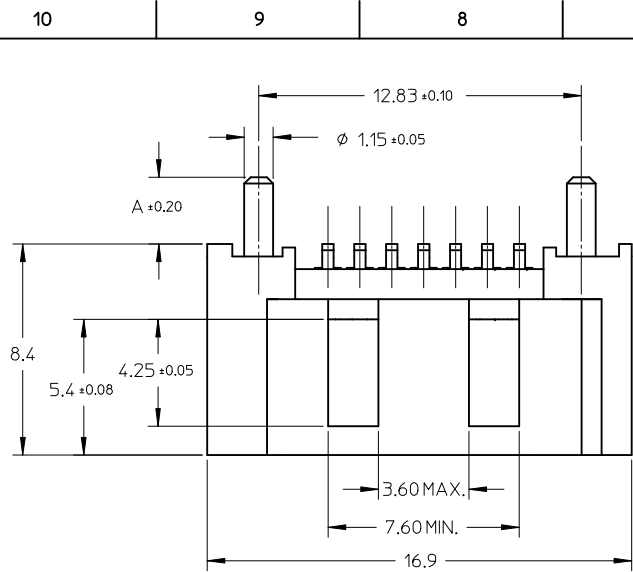
Current - Maximum per Contact	1.5A
Voltage - Maximum	15V DC

Material Info**Reference - Drawing Numbers**

Packaging Specification	PK-47306-001
Product Specification	PS-67491-001
Sales Drawing	SD-47306-001

This document was generated on 05/26/2010

PLEASE CHECK WWW.MOLEX.COM FOR LATEST PART INFORMATION



ADD PART NUMBER EC NO: SH2010-0232 DRWN: XJ SONG CHKD: XJ SONG APPR: RZHANG	QUALITY SYMBOLS ▽ = 0 ◻ = 0	GENERAL TOLERANCES (UNLESS SPECIFIED)		DIMENSION STYLE MM ONLY	SCALE 5:1	DESIGN UNITS METRIC	THIRD ANGLE PROJECTION		
		4 PLACES ± --- ± --- 3 PLACES ± --- ± --- 2 PLACES ± 0.15 ± --- 1 PLACE ± 0.25 ± ---	mm INCH	DRAWN BY: JENNY CHECKED BY: GRMA APPROVED BY: YAP	DATE: 2005/07/22 DATE: 2005/07/22 DATE: 2005/07/22	TITLE HIGH SPEED CONNECTOR 1.27MM PITCH VERTICAL SMT SOLDER TAIL			
		ANGULAR ± 1°		MATERIAL NO. SEE SHEET 2	MOLEX INCORPORATED				
		DRAFT WHERE APPLICABLE MUST REMAIN WITHIN DIMENSIONS		SIZE A3	THIS DRAWING CONTAINS INFORMATION THAT IS PROPRIETARY TO MOLEX INCORPORATED AND SHOULD NOT BE USED WITHOUT WRITTEN PERMISSION				
REV		DESCRIPTION		DOCUMENT NO. SD-47306-001		SHEET NO. 1 OF 2			

10 9 8 7 6 5 4 3 2 1

NOTES:

1. MATERIAL:

HOUSING: HIGH TEMPERATURE THERMAL PLASTIC, GLASS FILLED,
UL94V-0, COLOR: BLACK

TERMINAL: BRASS

POST: BRASS

2. TERMINAL PLATING:

CONTACT AREA: (a) GOLD FLASH

(b) GOLD, THICKNESS=0.76 MICRON MINIMUM

(c) GOLD, THICKNESS=0.38 MICRON MINIMUM

SOLDER TAIL: TIN, THICKNESS=1.27 MICRON MINIMUM

UNDER PLATE: NICKEL, THICKNESS=1.27 MICRON MINIMUM

3. POST PLATING: UNDER PLATE: NICKEL, THICKNESS=1.25 MICRON MINIMUM

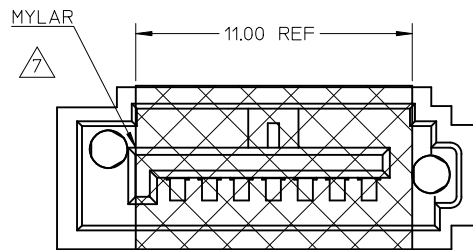
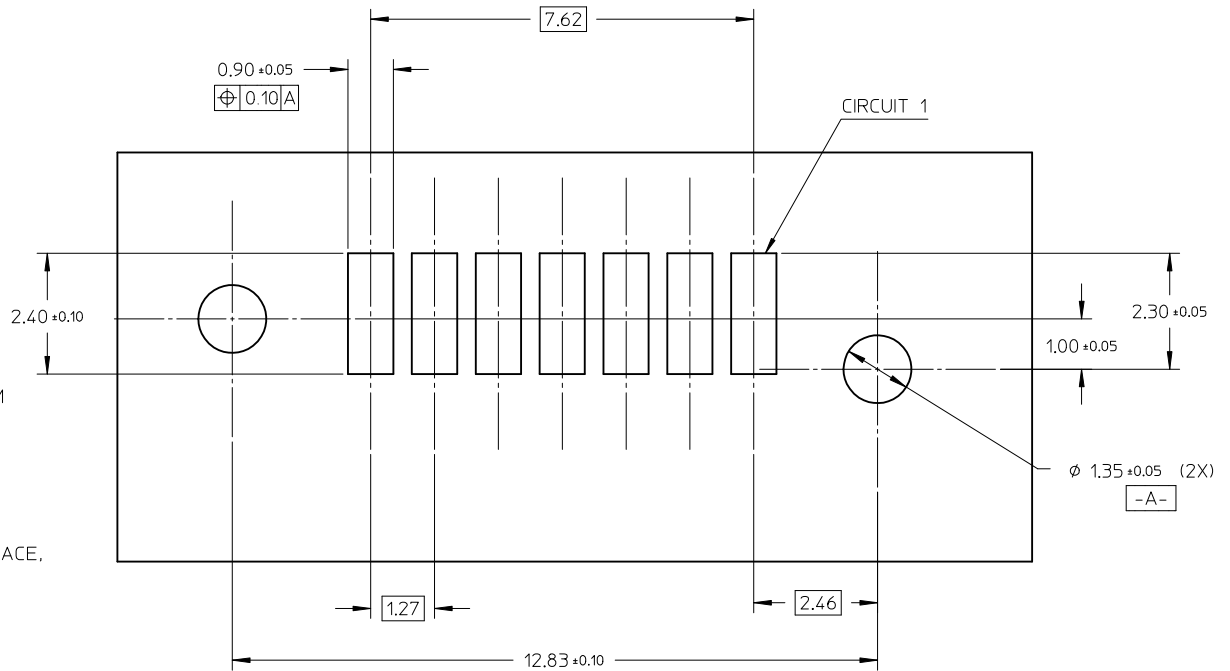
TIN, THICKNESS=1.9 MICRON MINIMUM OVER ALL

4. PACKAGING: TAPE REEL

5. PRODUCT SPECIFICATION REFER TO PS-67491-001

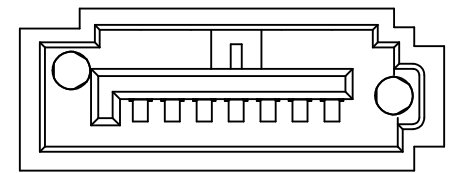
6. RECOMMENDED SOLDERING PROCESS: IR PROCESS

7. THE MYLAR STICKED ON THE HOUSING IS JUST USED FOR PICK-UP PLACE,
PLEASE REMOVE IT AFTER REFLOW



WITH MYLAR TYPE

RECOMMENDED P.C.B LAYOUT
CONNECTOR SIDE



WITHOUT MYLAR TYPE

473062105	SEE NOTE2(c)	2.65	WITHOUT	PK-47306-002
473062102	SEE NOTE2(b)			
473062101	SEE NOTE2(a)			
473065025	SEE NOTE2(c)	3.45	WITH	PK-47306-001
473065022	SEE NOTE2(b)			
473065021	SEE NOTE2(a)			
473065015	SEE NOTE2(c)			
473065012	SEE NOTE2(b)			
473065011	SEE NOTE2(a)	3.05	WITH	PK-47306-001
473065005	SEE NOTE2(c)			
473065002	SEE NOTE2(b)	2.65	WITH	PK-47306-001
473065001	SEE NOTE2(a)			
473062025	SEE NOTE2(c)	3.45	WITHOUT	PK-47306-001
473062022	SEE NOTE2(b)			
473062021	SEE NOTE2(a)			
473062015	SEE NOTE2(c)			
473062012	SEE NOTE2(b)			
473062011	SEE NOTE2(a)	3.05	WITHOUT	PK-47306-001
473062005	SEE NOTE2(c)			
473062002	SEE NOTE2(b)	2.65	WITHOUT	PK-47306-001
473062001	SEE NOTE2(a)			
MATERIAL NO	PLATING TYPE	DIM A	MYLAR	PACKING

SEE SHEET1 EC NO: SH2010-0232 DRW: XJ.SONG 2010/01/07 CHKD: XJ.SONG 2010/01/11 APPR: RZHANG 2010/01/14	QUALITY SYMBOLS ▽=0 ◻=0	GENERAL TOLERANCES (UNLESS SPECIFIED)		DIMENSION STYLE MM ONLY		SCALE 5:1	DESIGN UNITS METRIC	THIRD ANGLE PROJECTION	
			mm	INCH	DRAWN BY JENNY	DATE 2005/07/22	TITLE HIGH SPEED CONNECTOR 1.27MM PITCH VERTICAL SMT SOLDER TAIL		
		4 PLACES	± ---	± ---	CHECKED BY GRMA	DATE 2005/07/22	MOLEX INCORPORATED		
		3 PLACES	± ---	± ---	APPROVED BY YAP	DATE 2005/07/22	MATERIAL NO. SD-47306-001	DOCUMENT NO. SD-47306-001	SHEET NO. 2 OF 2
			2 PLACES	± 0.15	± ---	THIS DRAWING CONTAINS INFORMATION THAT IS PROPRIETARY TO MOLEX INCORPORATED AND SHOULD NOT BE USED WITHOUT WRITTEN PERMISSION			
			1 PLACE	± 0.25	± ---				
			ANGULAR ± 1 °						
			DRAFT WHERE APPLICABLE MUST REMAIN WITHIN DIMENSIONS						

9 8 7 6 5 4 3 2 1