

**PLEASE CHECK WWW.MOLEX.COM FOR LATEST PART INFORMATION**

**Part Number:** [0191930325](#)  
**Status:** **Active**  
**Description:** VersaKrimp™ Ring Tongue Terminal for 1/0 AWG Wire

**Documents:**

[Drawing \(PDF\)](#) [RoHS Certificate of Compliance \(PDF\)](#)

**Agency Certification**

CSA LR18689  
 UL E32244

**General**

Product Family Ring and Spade Terminals  
 Series [19193](#)  
 Comments Type I Noninsulated; Class 2  
 Crimp Quality Equipment Yes  
 Mil-Spec AS20659-135, MS20659-135  
 Product Name VersaKrimp™  
 Type Ring

**Physical**

Barrel Type Closed - Brazed  
 Insulation None  
 Material - Plating Mating Tin  
 Packaging Type Bag  
 Plating min: Mating (µin) 100  
 Plating min: Mating (µm) 2.5  
 Plating min: Termination (µin) 100  
 Plating min: Termination (µm) 2.5  
 Stud Size 1/2" (M12)  
 Termination Interface: Style Crimp or Compression  
 Wire Size AWG 1

**Material Info**

Old Part Number H-380-12

**Reference - Drawing Numbers**

Sales Drawing SD-19193-008



image - Reference only

Series

**EU RoHS**

**ELV and RoHS  
 Compliant**

**REACH SVHC**

**Contains SVHC: No  
 Halogen-Free**

**Status**

**Not Reviewed**

**China RoHS**



**Need more information on product  
 environmental compliance?**

Email [productcompliance@molex.com](mailto:productcompliance@molex.com)  
 For a multiple part number RoHS Certificate of  
 Compliance, [click here](#)

Please visit the [Contact Us](#) section for any  
 non-product compliance questions.

**Search Parts in this Series**

[19193Series](#)

**Application Tooling | [FAQ](#)**

*Tooling specifications and manuals are  
 found by selecting the products below.  
 Crimp Height Specifications are then  
 contained in the Application Tooling  
 Specification document.*

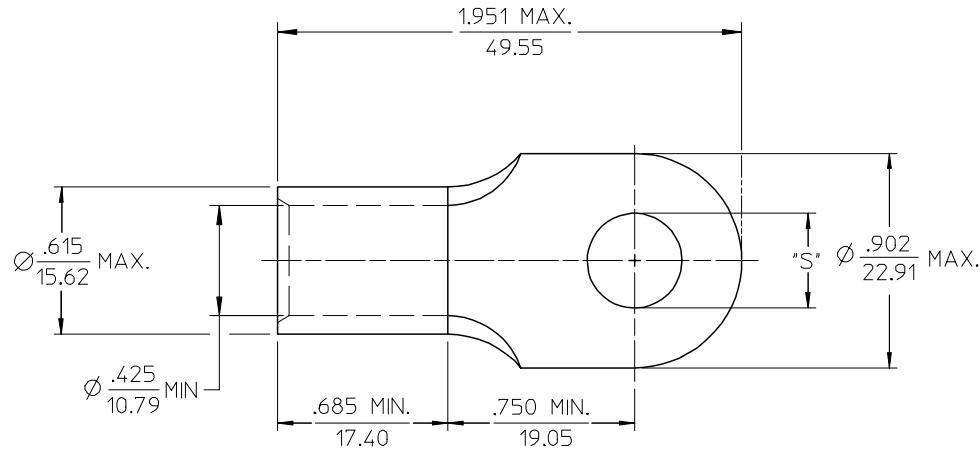
**Global**

| Description  | Product #                  |
|--|----------------------------|
| Putt Pump Dieless Head System                                  | <a href="#">0192860065</a> |
| Manual tool for Crimping non-insulated 8AWG thru 4/0 Terminals | <a href="#">0192940008</a> |
| Manual Putt Pump Hydraulic System, Die set required            | <a href="#">0192860117</a> |
| Die Set (large) for the HHLS Hydraulic Crimper                 | <a href="#">0192900011</a> |

This document was generated on 04/14/2010

**PLEASE CHECK [WWW.MOLEX.COM](http://WWW.MOLEX.COM) FOR LATEST PART INFORMATION**

| MATERIAL NO. | ENG. NO. | STUD SIZE | ±.003 "S" | STOCK THICKNESS |
|--------------|----------|-----------|-----------|-----------------|
| 191930326    | H-380-14 | 1/4       | .265      | .075 (1.90)     |
| 191930328    | H-380-56 | 5/16      | .328      |                 |
| 191930612    | H-380-38 | 3/8       | .390      |                 |
| 191930329    | H-380-76 | 7/16      | .453      |                 |
| 191930325    | H-380-12 | 1/2       | .515      |                 |



SALES DRAWING

- NOTE(S):
1. MATERIAL: COPPER
  2. PLATING: ELECTROPLATE TIN
  3. ALL DIMENSIONS IN INCHES/(MM)
  4. WIRE SIZE: 1/0 AWG  
50 MM<sup>2</sup>
  5. PART IS ROHS COMPLIANT.

|   |                 |   |  |   |       |              |   |
|---|-----------------|---|--|---|-------|--------------|---|
| REV CHART & ADDED ROHS<br>EC NO: ETL2007-0397<br>DRW:HEHLE 2007/04/17<br>CHYD: JMACNEIL 2007/05/09<br>APPR: JMACNEIL 2007/05/10 | QUALITY SYMBOLS | GENERAL TOLERANCES (UNLESS SPECIFIED)   |  | DIMENSION STYLE   | SCALE | DESIGN UNITS | THIRD ANGLE PROJECTION  |
|   | ▼=0<br>▽=0      | 4 PLACES ± --- ± ---<br>3 PLACES ± --- ± .005<br>2 PLACES ± 0.13 ± .01<br>1 PLACE ± 0.25 ± ---<br>ANGULAR ±1/2° | mm INCH<br>± --- ± ---<br>± --- ± .005<br>± 0.13 ± .01<br>± 0.25 ± --- | IN/MM   | 2:1   | INCH         | DRAWN BY DATE<br>GZ 85/04/15<br>CHECKED BY DATE<br>GZ 85/04/15<br>APPROVED BY DATE<br>GZ 85/04/15 |
|   |                 | DRAFT WHERE APPLICABLE MUST REMAIN WITHIN DIMENSIONS  |  | TITLE<br>RING TONGUE TERMINAL, VERSAKRIMP SERIES, 1/0 AWG<br>MOLEX INCORPORATED |       |              |   |
|   |                 |   |  | SEE CHART   |       |              |   |