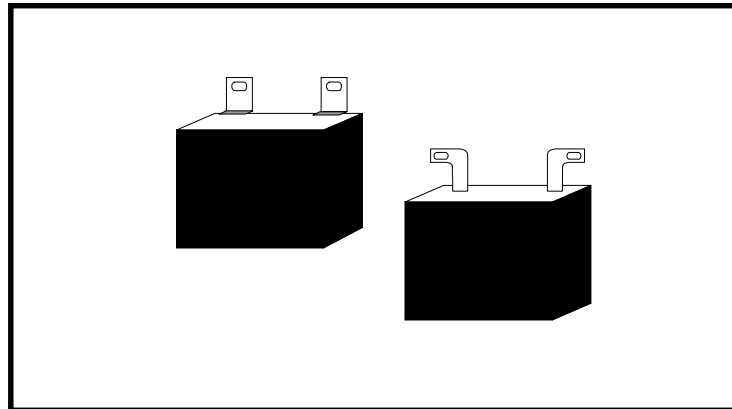




SERIES "PC" IGBT CAPACITORS



CONSTRUCTION:

- Polypropylene dielectric internal series design with double sided metallized carrier, non-impregnated

APPLICATIONS:

- Uninterruptable power supplies (UPS)
- SCR commutation
- Switch mode power supply (SMPS) protection
- IGBT module protection

CHARACTERISTICS:

- Low ESR
- Low dielectric absorption
- High RMS/Peak currents
- Low self-inductance
- Screw terminals for easy IGBT mounting

SPECIFICATIONS:

Capacitance: 0.1 μ F to 1.5 μ F

Voltage: 850 VDC to 2000 VDC (450 VAC to 660 VAC)

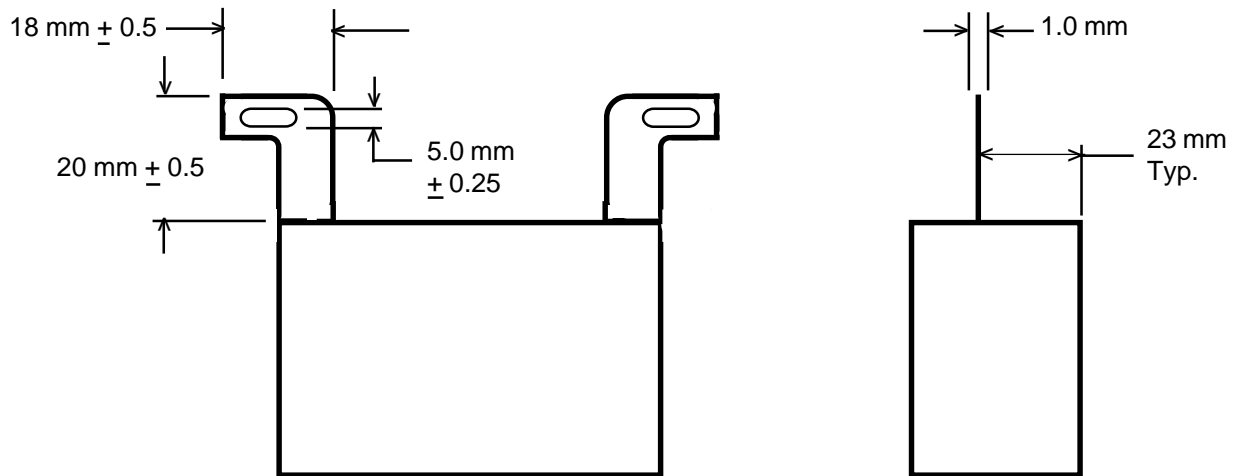


SERIES PC1213EFR

**IGBT CAPACITORS
PHYSICAL DIMENSIONS**

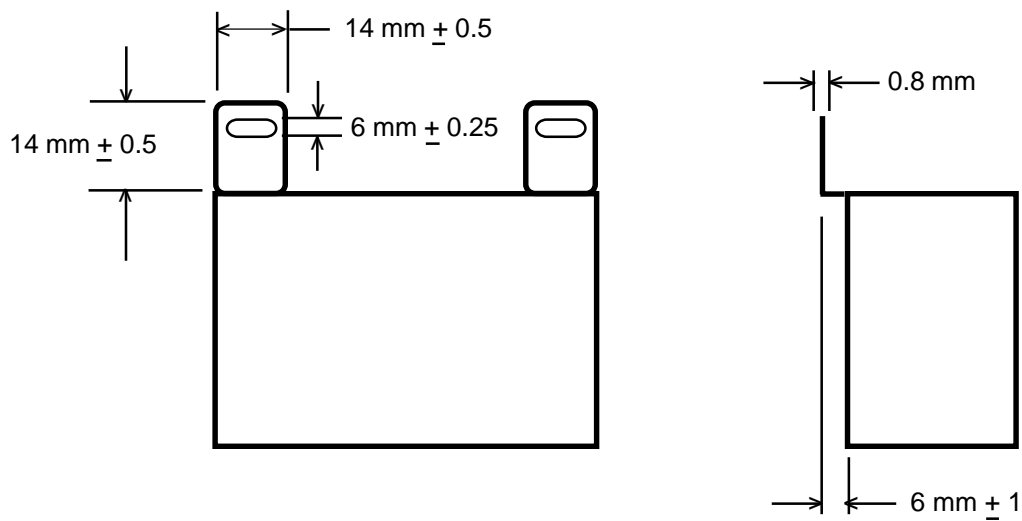
Case Style "VR" or "ZR"

(will accommodate 39 mm to 48 mm screw centers)



Case Style "VO" or "ZO"

(will accommodate 24 mm to 28 mm screw centers)





SERIES PC1213EFR

**IGBT CAPACITORS
DIMENSIONS AND RATINGS**

850VDC/450VAC

CAP. μF	T inches (mm)	H inches (mm)	L inches (mm)	CASE CODE	I (PEAK) amps	I (RMS) amps	ESR MΩ	dV/dT V/μS
0.47	0.95 (24.0)	1.06 (27.0)	1.61 (41.0)	V	153	7.8	8.0	325
0.56	0.95 (24.0)	1.06 (27.0)	1.61 (41.0)	V	182	8.5	7.0	325
0.68	0.95 (24.0)	1.06 (27.0)	1.61 (41.0)	V	221	9.0	6.0	325
0.82	0.95 (24.0)	1.06 (27.0)	1.61 (41.0)	V	267	9.5	5.0	325
1.00	0.95 (24.0)	1.06 (27.0)	1.61 (41.0)	V	325	10.0	4.5	325
1.20	1.30 (33.0)	1.38 (35.0)	1.61 (41.0)	Z	390	11.5	4.0	325
1.50	1.30 (33.0)	1.38 (35.0)	1.61 (41.0)	Z	488	13.0	3.8	325

1200VDC/500VAC

CAP. μF	T inches (mm)	H inches (mm)	L inches (mm)	CASE CODE	I (PEAK) amps	I (RMS) amps	ESR MΩ	dV/dT V/μS
0.15	0.95 (24.0)	1.06 (27.0)	1.61 (41.0)	V	90	7.3	12.0	600
0.22	0.95 (24.0)	1.06 (27.0)	1.61 (41.0)	V	132	7.5	9.0	600
0.33	0.95 (24.0)	1.06 (27.0)	1.61 (41.0)	V	198	8.5	7.0	600
0.47	0.95 (24.0)	1.06 (27.0)	1.61 (41.0)	V	282	9.0	6.0	600
0.56	0.95 (24.0)	1.06 (27.0)	1.61 (41.0)	V	336	9.5	5.0	600
0.68	0.95 (24.0)	1.06 (27.0)	1.61 (41.0)	V	408	10.0	4.5	600
0.82	1.30 (33.0)	1.38 (35.0)	1.61 (41.0)	Z	492	12.5	4.0	600
1.00	1.30 (33.0)	1.38 (35.0)	1.61 (41.0)	Z	600	13.5	3.0	600

2000VDC/660VAC

CAP. μF	T inches (mm)	H inches (mm)	L inches (mm)	CASE CODE	I (PEAK) amps	I (RMS) amps	ESR MΩ	dV/dT V/μS
0.10	0.95 (24.0)	1.06 (27.0)	1.61 (41.0)	V	85	6.5	12.0	850
0.12	0.95 (24.0)	1.06 (27.0)	1.61 (41.0)	V	102	6.8	11.0	850
0.15	0.95 (24.0)	1.06 (27.0)	1.61 (41.0)	V	128	7.1	10.0	850
0.22	0.95 (24.0)	1.06 (27.0)	1.61 (41.0)	V	187	8.0	8.0	850
0.33	1.30 (33.0)	1.38 (35.0)	1.61 (41.0)	Z	281	10.5	6.5	850
0.47	1.30 (33.0)	1.38 (35.0)	1.61 (41.0)	Z	400	11.5	5.5	850

Reidville Industrial Park * 41 Interstate Lane
WATERBURY, CONNECTICUT 06705

PHONE (203) 755-5629 FAX (203) 755-0659

Rev. 4/97