

**PLEASE CHECK WWW.MOLEX.COM FOR LATEST PART INFORMATION**

**Part Number:** [0367180005](#)  
**Status:** **Active**  
**Overview:** [din\\_41612](#)  
**Description:** 2.54mm (.100") Pitch DIN 41612 Header, Style R, Male, Vertical, Through Hole, 0.6µm (24µ") Selective Gold (Au), PC Tail Length 15.00mm (.594"), 96 Circuits

**Documents:**

[Drawing \(PDF\)](#) [RoHS Certificate of Compliance \(PDF\)](#)  
[Product Specification PS-36511-001 \(PDF\)](#)

**General**

Product Family	Backplane Connectors
Series	<a href="#">36718</a>
Application	Daughtercard
Comments	No Mounting Clip
Component Type	PCB Header
Overview	<a href="#">din_41612</a>
Product Name	IEC 603-2/DIN 41612
Style	R

**Physical**

Circuits (Loaded)	96
Circuits (maximum)	96
Circuits Detail	1,2,3,...32; a+b+c
Color - Resin	Gray
Durability (mating cycles max)	400
First Mate / Last Break	No
Guide to Mating Part	No
Keying to Mating Part	Yes
Material - Metal	Brass
Material - Plating Mating	Gold
Material - Plating Termination	Tin
Material - Resin	Polyester
Number of Columns	32
Number of Pairs	Open Pin Field
Number of Rows	3
Orientation	Vertical
PC Tail Length (in)	0.594 In
PC Tail Length (mm)	15.10 mm
PCB Locator	No
PCB Retention	Yes
PCB Thickness Recommended (in)	0.063 In
PCB Thickness Recommended (mm)	1.60 mm
Packaging Type	Carton
Pitch - Mating Interface (in)	0.100 In
Pitch - Mating Interface (mm)	2.54 mm
Pitch - Term. Interface (in)	0.100 In
Pitch - Term. Interface (mm)	2.54 mm
Plating min: Mating (µin)	24
Plating min: Mating (µm)	0.60
Polarized to PCB	Yes
Stackable	No
Surface Mount Compatible (SMC)	No
Temperature Range - Operating	-55°C to +125°C
Termination Interface: Style	Through Hole

**EU RoHS** **China RoHS**

**Compliance Status**

**Not Reviewed**

**REACH SVHC**

**Not Reviewed**

**Halogen-Free**

**Status**

**Not Reviewed**

**Need more information on product environmental compliance?**

Email [productcompliance@molex.com](mailto:productcompliance@molex.com)  
 For a multiple part number RoHS Certificate of Compliance, [click here](#)

Please visit the [Contact Us](#) section for any non-product compliance questions.

**Search Parts in this Series**

[36718Series](#)

**Electrical**

Current - Maximum per Contact	1A
Data Rate	622.0 Mbps
Voltage - Maximum	1000V (RMS)

**Material Info**

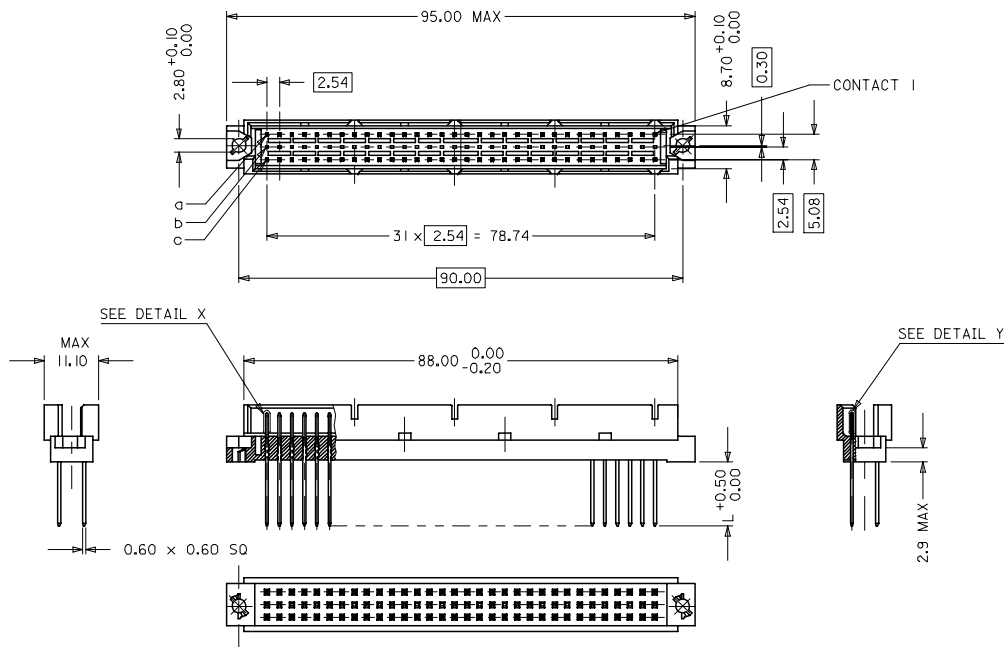
Old Part Number	MMB15W1R960-104
-----------------	-----------------

**Reference - Drawing Numbers**

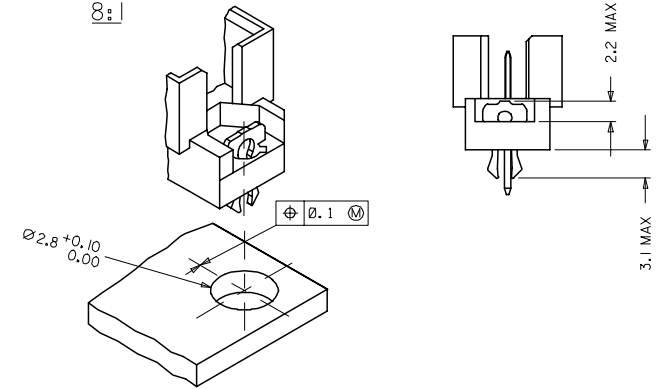
Product Specification	PS-36511-001
Sales Drawing	SD-36718-005

This document was generated on 05/13/2010

**PLEASE CHECK [WWW.MOLEX.COM](http://WWW.MOLEX.COM) FOR LATEST PART INFORMATION**



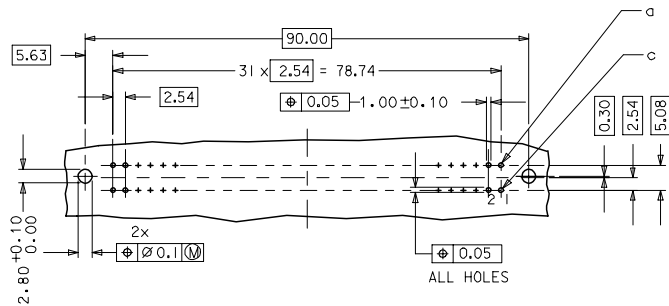
WITH MOUNTING CLIPS



NOTES:

- 1) MATERIALS: THERMOPLASTIC POLYESTER, GLASS FILLED, UL94V-0, COLOUR: PEBBLE GREY RAL 7032  
TERMINAL - BRASS  
MOUNTING CLIP: STEEL
- 2) FINISH: TERMINAL:-  
CONTACT AREA & TERMINATION AREA.  
1. PERFORMANCE LEVEL 2: SELECTIVE GOLD (Au), THICKNESS = 0.6 MICROMETER  
OVER NICKEL, THICKNESS = 1.25 MICROMETER
- 3) MOUNTING CLIP:-  
TIN (Sn), THICKNESS = 5-10 MICROMETER,  
OVER NICKEL (Ni), THICKNESS = 2.5 MICROMETER
- 4) FOR NON MOUNTING CLIP OPTION, CONNECTOR TO BE SECURED WITH  
RIVETS: 2 TUBULAR RIVETS 2.5 x 0.3 ... DIN 7340  
SCREWS: 2 CHEESEHEAD SCREWS M2.5 x .... DIN 84 AND 2 HEXAGONAL NUTS M2.5 DIN 934
- 5) MATERIAL NUMBER, BATCH CODE, UL AND CSA MARKING  
TO BE PRINTED ON THE CONNECTOR
- 6) CUT FACE OF TIP WITHOUT PLATING PERMITTED
- 7) PRODUCT SPECIFICATION PS : 36511-001

RECOMMENDED PCB LAYOUT  
COMPONENT SIDE

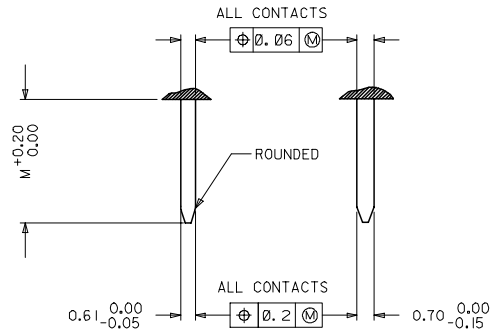


RoHS COMPLIANT

<b>ENTER DESCRIPTION</b> ELC INC: 12008-0066 2007/08/27 DRWING3 CHKD: KPRASAD APPR: KPRASAD 2007/08/27 2007/08/27	<b>QUALITY SYMBOLS</b> ▽=0 ▽=0 ▽=0	<b>GENERAL TOLERANCES (UNLESS SPECIFIED)</b>		<b>DIMENSION STYLE</b> MM ONLY	<b>SCALE</b> 2:1	<b>DESIGN UNITS</b> METRIC	THIRD ANGLE PROJECTION		
		4 PLACES ± 0.15 ± ---	INCH	DRAWN BY SJ	DATE 2007/08/03	<b>TITLE</b> ASSY.DIN41612.96 POS A+B+C LOADED SOLDER, CDOT PART			
		3 PLACES ± 0.05 ± ---	CHECKED BY KPRASAD	DATE 2007/08/03			<b>MOLEX INCORPORATED</b>		
		2 PLACES ± 0.1 ± ---	APPROVED BY KPRASAD	DATE 2007/08/03			MATERIAL NO. SEE SHEET 2	DOCUMENT NO. SD-36718-005	SHEET NO. 1 OF 2
<b>DRAFT WHERE APPLICABLE MUST REMAIN WITHIN DIMENSIONS</b>		THIS DRAWING CONTAINS INFORMATION THAT IS PROPRIETARY TO MOLEX INCORPORATED AND SHOULD NOT BE USED WITHOUT WRITTEN PERMISSION							

20	19	18	17	16	15	14	13	12	11	10	9	8	7	6	5	4	3	2	1
MATERIAL No.	MOLEX ENG No.	C-DOT PART NO.	PERF LEVEL	PLATING	CONTACT SEQUENCE/ROW	DIM *L* MM	MOUNTING CLIP	FMLB											
36718-0005	MM-B15W1-R960-104	MCC-EURVM006-302	2	Au + Ni	1,2,3...3 a+b+c	15.1	NO	NO											

DETAILY      DETAILX



PRE MATING CONTACTS	5.4
NORMAL CONTACTS	4.8
	M

<b>ENTER DESCRIPTION</b> ELC MC: 12008-0068 2007/08/27 DRAWN BY: SJ 2007/08/27 CHECKED BY: KPRASAD 2007/08/27 APPROVED BY: KPRASAD 2007/08/27	<b>QUALITY SYMBOLS</b> ▽=0 ▽=0	<b>GENERAL TOLERANCES (UNLESS SPECIFIED)</b>		<b>DIMENSION STYLE</b> MM ONLY	<b>SCALE</b> 2:1	<b>DESIGN UNITS</b> METRIC	THIRD ANGLE PROJECTION		
		4 PLACES ± --- ± ---	INCH	DRAWN BY: SJ DATE: 2007/08/03	<b>TITLE</b> ASSY.DIN41612,96 POS A+B+C LOADED SOLDER, CDOT PART				
		3 PLACES ± 0.05 ± ---		CHECKED BY: KPRASAD DATE: 2007/08/03	<b>MATERIAL NO.</b> SEE CHART				
		2 PLACES ± 0.1 ± ---		APPROVED BY: KPRASAD DATE: 2007/08/03	<b>DOCUMENT NO.</b> SD-36718-005				
DRAFT WHERE APPLICABLE MUST REMAIN WITHIN DIMENSIONS		1 PLACE ± 0.15 ± ---	ANGULAR ± 2°	<b>SIZE</b> A 1		<b>SHEET NO.</b> 2 OF 2			
THIS DRAWING CONTAINS INFORMATION THAT IS PROPRIETARY TO MOLEX INCORPORATED AND SHOULD NOT BE USED WITHOUT WRITTEN PERMISSION									