

PLEASE CHECK WWW.MOLEX.COM FOR LATEST PART INFORMATION

Part Number: **0740298450**
Status: **Active**
Overview: vhdm
Description: 2.00mm (.079") Pitch VHDM® Board-to-Board Backplane Receptacle Power Module, Vertical, 8-Row, 2 Circuits, Pin 2 Voided, Gold (Au) Selective 1.27µm (50µ")

Documents:

[3D Model](#) [Product Specification PS-74031-999 \(PDF\)](#)
[Drawing \(PDF\)](#) [RoHS Certificate of Compliance \(PDF\)](#)
[Packaging Specification \(PDF\)](#)

Agency Certification

UL E29179

General

Product Family Backplane Connectors
Series [74029](#)
Application Backplane
Application Tooling Documents [Tooling Manual](http://www.molex.com/pdm_docs/ats/TM-622010999.pdf)
Comments Backplane Receptacle Module, Power
Component Type Power Receptacle
Overview [vhdm](#)
Product Name VHDM®
Style N/A

Physical

Circuits (Loaded) 2
Circuits (maximum) 3
Circuits Detail Pin 2 voided
Color - Resin Black
Durability (mating cycles max) 200
First Mate / Last Break No
Flammability 94V-0
Guide to Mating Part No
Keying to Mating Part None
Material - Metal High Performance Alloy (HPA)
Material - Plating Mating Gold
Material - Plating Termination Tin-Lead
Material - Resin High Temperature Thermoplastic
Number of Columns N/A
Number of Pairs Open Pin Field
Number of Rows 8
Orientation Vertical
PC Tail Length (in) 0.110 In
PC Tail Length (mm) 2.80 mm
PCB Locator No
PCB Retention None
PCB Thickness Recommended (in) 0.070 In
PCB Thickness Recommended (mm) 1.80 mm
Packaging Type Tube
Pitch - Mating Interface (in) 0.079 In
Pitch - Mating Interface (mm) 2.00 mm
Pitch - Term. Interface (in) 0.157 In
Pitch - Term. Interface (mm) 4.00 mm
Plating min: Mating (µin) 50

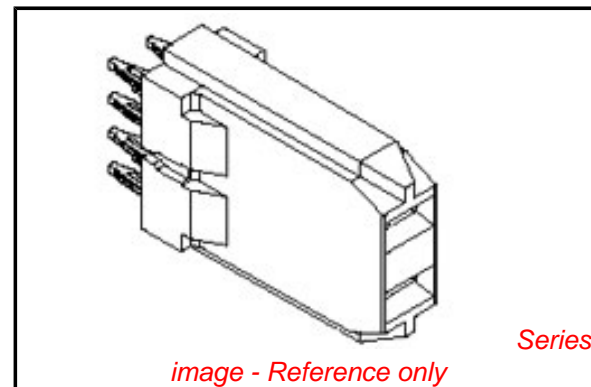


image - Reference only

EU RoHS

RoHS Compliant by Exemption

REACH SVHC

Contains SVHC: No

Halogen-Free

Status

Halogen-Free

China RoHS



Pb

Need more information on product environmental compliance?

Email productcompliance@molex.com
For a multiple part number RoHS Certificate of Compliance, [click here](#)

Please visit the [Contact Us](#) section for any non-product compliance questions.

Search Parts in this Series

[74029Series](#)

Mates With

[74026 VHDM® Board-to-Board Daughtercard Receptacle](#)

Application Tooling | FAQ

Tooling specifications and manuals are found by selecting the products below. Crimp Height Specifications are then contained in the Application Tooling Specification document.

Global

Description	Product #
VHDM® Backplane 6 and 8 Row Power Module Insertion Tool	0622020211

Plating min: Mating (μm)	1.25
Plating min: Termination (μin)	15
Plating min: Termination (μm)	0.375
Polarized to PCB	Yes
Stackable	No
Surface Mount Compatible (SMC)	Yes
Temperature Range - Operating	-55°C to +105°C
Termination Interface: Style	Through Hole - Compliant Pin

Electrical

Current - Maximum per Contact	10A
Data Rate	2.5 Gbps
Real Signals (per 25mm)	100
Shielded	No
Voltage - Maximum	250V

Material Info

Reference - Drawing Numbers

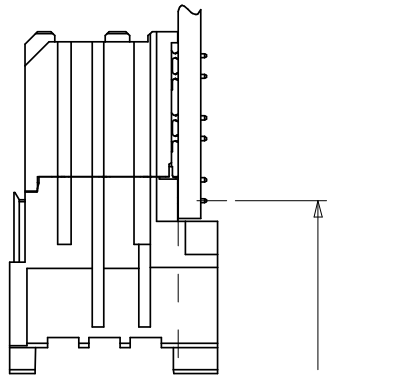
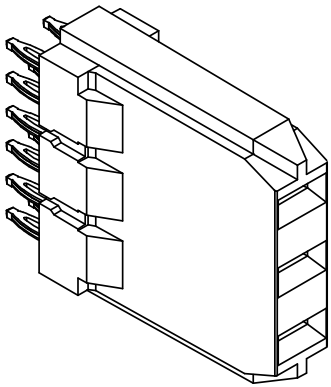
Packaging Specification	PK-70873-0876
Product Specification	PS-74031-999
Sales Drawing	SD-74029-002, SD-74029-009

VHDM and Very High Density Metric are trademarks of Amphenol Corporation

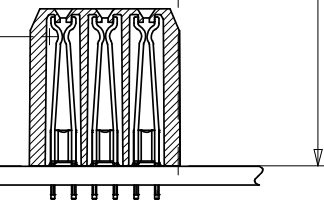
This document was generated on 05/19/2010

PLEASE CHECK WWW.MOLEX.COM FOR LATEST PART INFORMATION

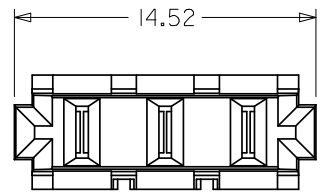
10 9 8 7 6 5 4 3 2



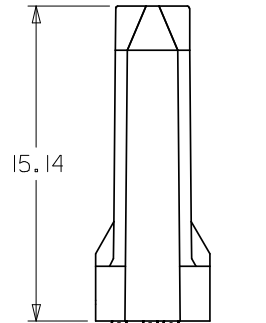
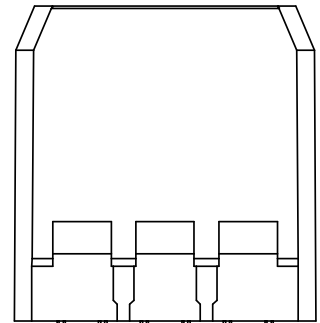
16.85 MATED



12.44 MAX.
NOTE 6
REF.



14.52



15.14

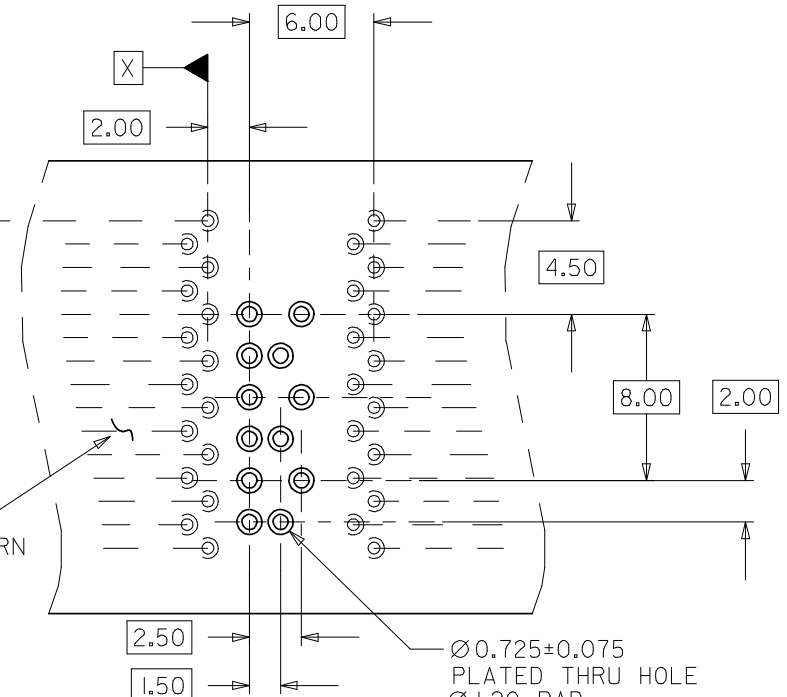
NOTES:

1. MATERIALS:
HOUSING - LIQUID CRYSTAL POLYMER (LCP)
UL94 V-0 RATED, COLOR: BLACK
TERMINAL - COPPER ALLOY
2. FINISH: 30 MICROINCH MIN GOLD ON MATING SURFACE;
TIN/LEAD ON TAILS; NICKEL OVERALL.
3. FINISH: 50 MICROINCH MIN GOLD ON MATING SURFACE;
TIN/LEAD ON TAILS; NICKEL OVERALL.
4. THIS PART CONFORMS TO PRODUCT SPECIFICATION
PS-74031-999.
5. USE 6.00 mm NOMINAL FOR BACKPLANE LAYOUT.
6. DIMENSION MEASURED FROM BOTTOM OF HOUSING.
7. PACKED PER PK-70873-0876.
8. CONTACT NOT PRESENT AT POSITION ON
-84** ASSEMBLIES.

SIGNAL
ROW A

Y

REFERENCE
SIGNAL PATTERN



⊕ Ø 0.15 X Y

ASSEMBLY #	CONTACT PLATING	OPEN LOC.	# CONTACTS
74029-8000	SEE NOTE 2	N/A	3
74029-8050	SEE NOTE 3	N/A	
74029-8400	SEE NOTE 2	POS. 2	2
74029-8450	SEE NOTE 3	POS. 2	
74029-8401	SEE NOTE 2	POS. 1	
74029-8451	SEE NOTE 3	POS. 1	
74029-8403	SEE NOTE 2	POS. 3	
74029-8453	SEE NOTE 3	POS. 3	

(POSITION 1)
(POSITION 2)
(POSITION 3)
SEE NOTE 8 & CHART

1.14
2.64
3.64
5.50
SEE NOTE 5

REDRAWN
EC NO: UCP2008-1963
DRWN: BINGHAM 2008/02/18
CHKD: BINGHAM 2008/02/18
APPR: LAURX 2008/02/18

QUALITY SYMBOLS
▽=0
▽=0

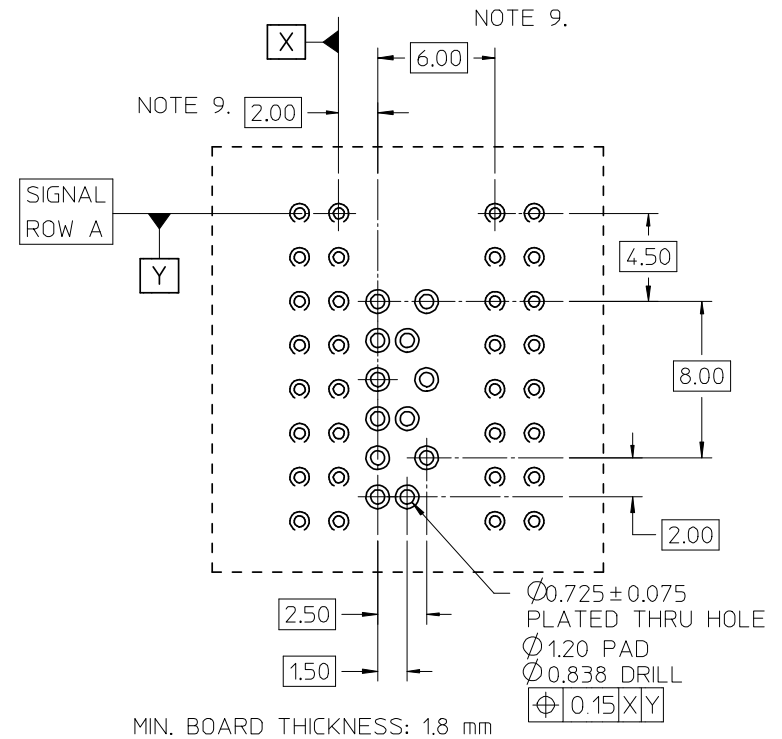
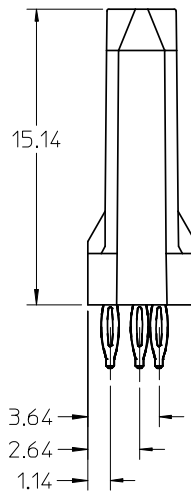
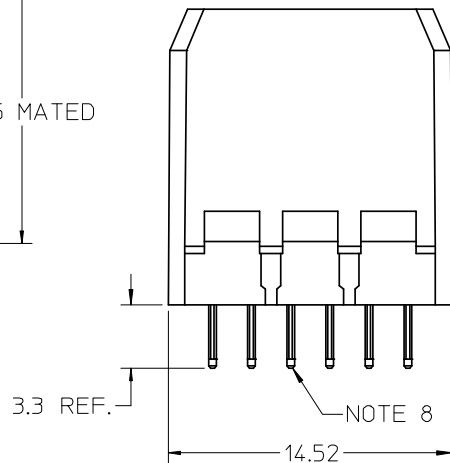
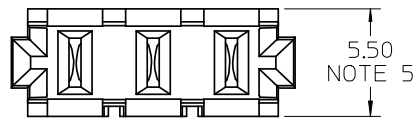
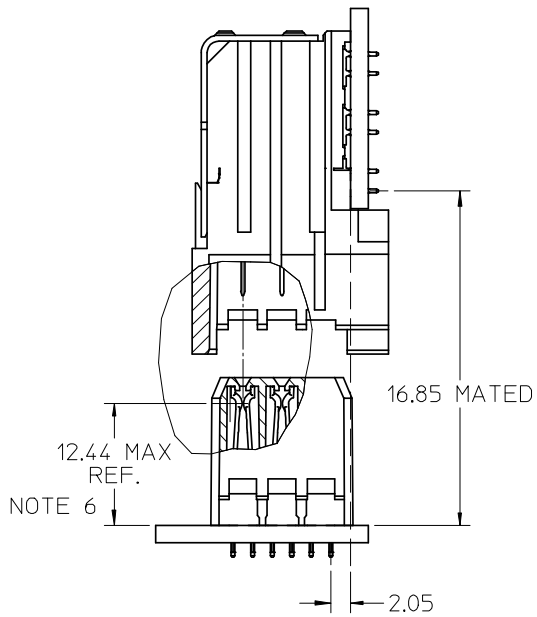
GENERAL TOLERANCES (UNLESS SPECIFIED)	
4 PLACES	± --- ± ---
3 PLACES	± --- ± ---
2 PLACES	± 0.15 ± ---
1 PLACE	± 0.25 ± ---
ANGULAR ± --- °	

DRAFT WHERE APPLICABLE
MUST REMAIN
WITHIN DIMENSIONS

DIMENSION STYLE	
MM ONLY	
DRAWN BY	DATE
TELO	98/10/19
CHECKED BY	DATE
DBREARLEY	98/10/21
APPROVED BY	DATE
CBIXLER	98/10/22
MATERIAL NO.	
SEE CHART	

SCALE	DESIGN UNITS	THIRD ANGLE PROJECTION
NONE	METRIC	THIRD ANGLE PROJECTION
TITLE		
VHDM POWER 8 ROW BACKPLANE SALES ASSEMBLY		
MOLEX INCORPORATED		
MATERIAL NO.	DOCUMENT NO.	SHEET NO.
SEE CHART	SD-74029-002	1 OF 1
THIS DRAWING CONTAINS INFORMATION THAT IS PROPRIETARY TO MOLEX INCORPORATED AND SHOULD NOT BE USED WITHOUT WRITTEN PERMISSION		

9 8 7 6 5 4 3 2 1



- NOTES:
- MATERIALS:
HOUSING - LIQUID CRYSTAL POLYMER (LCP)
UL94 V-0 RATED, COLOR: BLACK
TERMINAL - COPPER ALLOY
 - FINISH: 30 microINCH MIN GOLD ON MATING SURFACE;
TIN/LEAD ON TAILS; NICKEL OVERALL.
 - FINISH: 50 microINCH MIN GOLD ON MATING SURFACE;
TIN/LEAD ON TAILS; NICKEL OVERALL.
 - THIS PART CONFORMS TO PRODUCT SPECIFICATION
PS-74031-999.
 - USE 6.00 mm NOMINAL FOR BACKPLANE LAYOUT.
 - DIMENSION MEASURED FROM BOTTOM OF HOUSING.
 - PACKED PER PK-70873-0876.
 - MIDDLE CONTACT NOT PRESENT ON -84** ASSEMBLIES.
 - THIS DIMENSION TO BE MULTIPLE OF 2.00 mm AS REQUIRED.

ASSEMBLY #	CONTACT PLATING	# CONTACTS
74029-8000	SEE NOTE 2	3
74029-8050	SEE NOTE 3	3
74029-8400	SEE NOTE 2	2
74029-8450	SEE NOTE 3	2

REVISED (MINOR) EC NO: UCP2008-1963 DRWN: JINGHAM 2008/02/18 CHKD: 2008/02/18 APPR: LAURX 2008/02/18 A1	QUALITY SYMBOLS ▽ = 0 ▽ = 0	GENERAL TOLERANCES (UNLESS SPECIFIED) mm INCH 4 PLACES ± --- ± --- 3 PLACES ± --- ± --- 2 PLACES ± 0.15 ± --- 1 PLACE ± 0.25 ± --- ANGULAR ± 5 ° DRAFT WHERE APPLICABLE MUST REMAIN WITHIN DIMENSIONS	SCALE 4:1 DESIGN UNITS METRIC DIMENSION STYLE MM ONLY DRAWN BY ELO DATE 2001/10/04 CHECKED BY GORSKI DATE 2001/10/05 APPROVED BY BIXLER DATE 2001/10/08	THIRD ANGLE PROJECTION REVISE ON CAD ONLY TITLE HSD POWER 8 ROW BACKPLANE SALES ASSEMBLY MOLEX INCORPORATED MATERIAL NO. SEE CHART DOCUMENT NO. SD-74029-009 SHEET NO. 1 OF 1
	THIS DRAWING CONTAINS INFORMATION THAT IS PROPRIETARY TO MOLEX INCORPORATED AND SHOULD NOT BE USED WITHOUT WRITTEN PERMISSION			
	MOLEX INCORPORATED			
	SEE CHART SD-74029-009			