

PLEASE CHECK WWW.MOLEX.COM FOR LATEST PART INFORMATION

Part Number: [0039303037](#)
Status: **Active**
Overview: [minifit_jr](#)
Description: 4.20mm (.165") Pitch Mini-Fit Jr.™ Header, Single Row, Right Angle, with Snap-in Plastic Peg PCB Lock, 3 Circuits, PA Polyamide Nylon 6/6, 94V-2, (30µ") (Au) Plating

Documents:

[3D Model](#) [Product Specification PS-5556-001 \(PDF\)](#)
[Drawing \(PDF\)](#) [RoHS Certificate of Compliance \(PDF\)](#)

Agency Certification

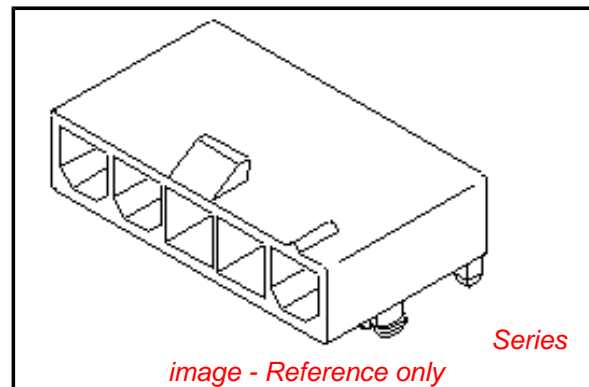
| | |
|-----|-----------|
| CSA | LR19980 |
| TUV | R72081037 |
| UL | E29179 |

General

| | |
|----------------|--|
| Product Family | PCB Headers |
| Series | 5569 |
| Application | Wire-to-Board |
| Comments | Current = 13A max. per circuit when header is mated to a receptacle loaded with 45750 Mini-Fit Plus HCS™ Crimp Terminal Crimped to to 16 AWG wire. . See Molex Product specification PS-5556-001 for additional current de-rating information. |
| Overview | minifit_jr |
| Product Name | Mini-Fit Jr.™ |

Physical

| | |
|--------------------------------|-------------|
| Breakaway | No |
| Circuits (Loaded) | 3 |
| Circuits (maximum) | 3 |
| Circuits Detail | 3 |
| Color - Resin | Natural |
| Durability (mating cycles max) | 30 |
| First Mate / Last Break | No |
| Flammability | 94V-2 |
| Glow-Wire Compliant | No |
| Guide to Mating Part | No |
| Keying to Mating Part | None |
| Lock to Mating Part | Yes |
| Material - Metal | Brass |
| Material - Plating Mating | Gold |
| Material - Plating Termination | Gold |
| Material - Resin | Nylon |
| Number of Rows | 1 |
| Orientation | Right Angle |
| PCB Locator | Yes |
| PCB Retention | Yes |
| PCB Thickness Recommended (in) | 0.070 In |
| PCB Thickness Recommended (mm) | 1.78 mm |
| Packaging Type | Bag |
| Pitch - Mating Interface (in) | 0.165 In |
| Pitch - Mating Interface (mm) | 4.20 mm |
| Pitch - Term. Interface (in) | 0.165 In |
| Pitch - Term. Interface (mm) | 4.20 mm |
| Plating min: Mating (µin) | 30 |



EU RoHS

ELV and RoHS Compliant
REACH SVHC Contains SVHC: No
Halogen-Free Status
Not Reviewed

China RoHS



Need more information on product environmental compliance?

Email productcompliance@molex.com
 For a multiple part number RoHS Certificate of Compliance, [click here](#)

Please visit the [Contact Us](#) section for any non-product compliance questions.

Search Parts in this Series

[5569Series](#)

Mates With

[39-01-4030 Receptacle](#)

| | |
|--------------------------------|-----------------|
| Plating min: Mating (µm) | 0.75 |
| Plating min: Termination (µin) | 30 |
| Plating min: Termination (µm) | 0.75 |
| Polarized to Mating Part | Yes |
| Polarized to PCB | Yes |
| Shrouded | Fully |
| Stackable | No |
| Surface Mount Compatible (SMC) | No |
| Temperature Range - Operating | -40°C to +105°C |
| Termination Interface: Style | Through Hole |

Electrical

| | |
|-------------------------------|------|
| Current - Maximum per Contact | 13A |
| Voltage - Maximum | 600V |

Solder Process Data

| | |
|--|------------------------|
| Duration at Max. Process Temperature (seconds) | 5 |
| Lead-free Process Capability | Wave Capable (TH only) |
| Max. Cycles at Max. Process Temperature | 1 |
| Process Temperature max. C | 240 |

Material Info

| | |
|-----------------|------------|
| Old Part Number | A556903A4G |
|-----------------|------------|

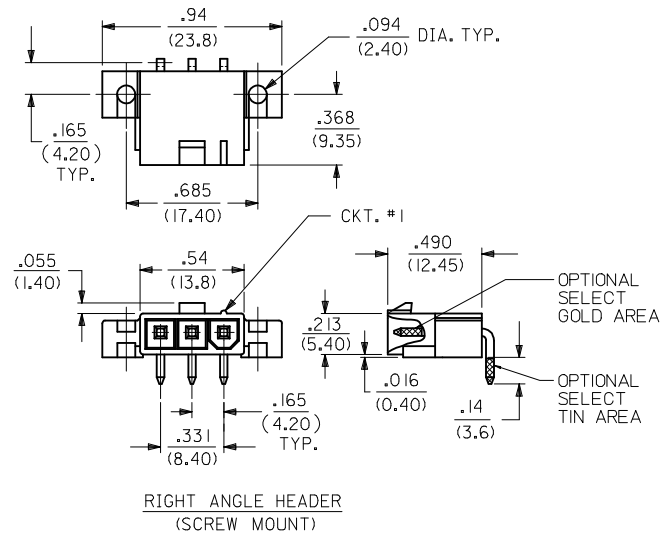
Reference - Drawing Numbers

| | |
|-------------------------|----------------|
| Packaging Specification | PK-5569-002 |
| Product Specification | PS-5556-001 |
| Sales Drawing | SDA-5569-03A** |
| Test Summary | TS-5556-002 |

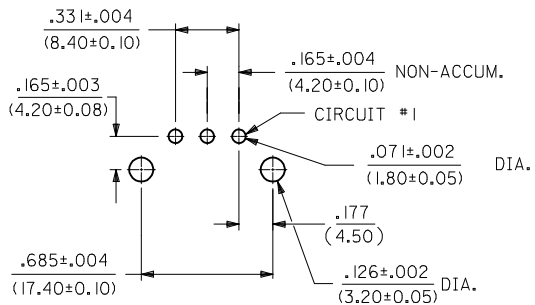
This document was generated on 05/21/2010

PLEASE CHECK WWW.MOLEX.COM FOR LATEST PART INFORMATION

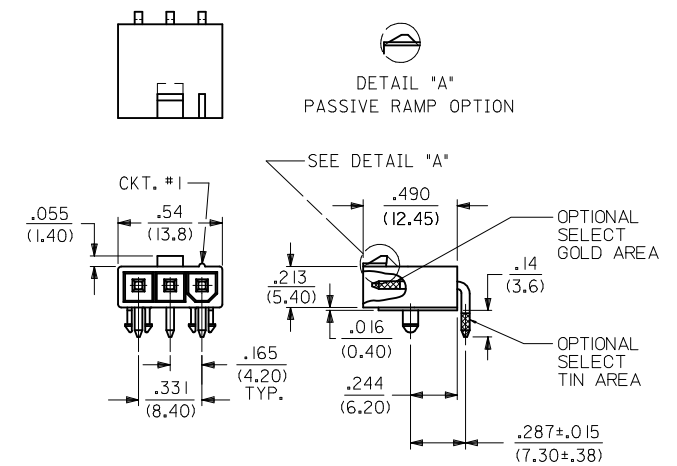
| PART NUMBER | ENGINEERING NUMBER | MOUNT OPTION | PLATING | MAT'L. |
|-------------|--------------------|--------------|------------|--------|
| 39-31-1032 | 5569-03A4-BL | 4 | BLANK | BL |
| 39-30-3031 | 5569-03A3 | 3 | BLANK | BLANK |
| 39-30-4039 | 5569-03A3GS2 | 3 | 15 GOLD | |
| 39-30-4037 | 5569-03A3GS | 3 | 30 GOLD | |
| 39-30-4035 | 5569-03A3G2 | 3 | 15 GOLD | |
| 39-30-3033 | 5569-03A3G | 3 | 30 GOLD | |
| 39-30-3035 | 5569-03A4 | 4 | BLANK | |
| 39-30-4033 | 5569-03A4GS2 | 4 | 15 GOLD | |
| 39-30-4031 | 5569-03A4GS | 4 | 30 GOLD | |
| 39-30-3039 | 5569-03A4G2 | 4 | 15 GOLD | |
| 39-30-3037 | 5569-03A4G | 4 | 30 GOLD | |
| 39-30-6039 | 5569-03A3S | 3 | TIN/NICKEL | |
| 39-30-7031 | 5569-03A4S | 4 | TIN/NICKEL | BLANK |
| 39-30-3032 | 5569-03A3-210 | 3 | BLANK | 210 |
| 39-30-5030 | 5569-03A3GS2-210 | 3 | 15 GOLD | |
| 39-30-4038 | 5569-03A3GS-210 | 3 | 30 GOLD | |
| 39-30-4036 | 5569-03A3G2-210 | 3 | 15 GOLD | |
| 39-30-3034 | 5569-03A3G-210 | 3 | 30 GOLD | |
| 39-30-3036 | 5569-03A4-210 | 4 | BLANK | |
| 39-30-4034 | 5569-03A4GS2-210 | 4 | 15 GOLD | |
| 39-30-4032 | 5569-03A4GS-210 | 4 | 30 GOLD | |
| 39-30-4030 | 5569-03A4G2-210 | 4 | 15 GOLD | |
| 39-30-3038 | 5569-03A4G-210 | 4 | 30 GOLD | |
| 39-30-7030 | 5569-03A3S-210 | 3 | TIN/NICKEL | |
| 39-30-7032 | 5569-03A4S-210 | 4 | TIN/NICKEL | |
| 50-34-8577 | 5569-03A4MS-210 | 4 | MATTE TIN | 210 |
| NO E.D.P. | 5569-03A5 | 5 | BLANK | BLANK |
| NO E.D.P. | 5569-03A5GS2 | 5 | 15 GOLD | |
| NO E.D.P. | 5569-03A5GS | 5 | 30 GOLD | |
| NO E.D.P. | 5569-03A5G2 | 5 | 15 GOLD | |
| NO E.D.P. | 5569-03A5G | 5 | 30 GOLD | |
| NO E.D.P. | 5569-03A5S | 5 | TIN/NICKEL | BLANK |
| NO E.D.P. | 5569-03A5-210 | 5 | BLANK | 210 |
| NO E.D.P. | 5569-03A5GS2-210 | 5 | 15 GOLD | |
| NO E.D.P. | 5569-03A5GS-210 | 5 | 30 GOLD | |
| NO E.D.P. | 5569-03A5G2-210 | 5 | 15 GOLD | |
| NO E.D.P. | 5569-03A5G-210 | 5 | 30 GOLD | |
| 39-34-3037 | 5569-03A5S-210 | 5 | TIN/NICKEL | 210 |



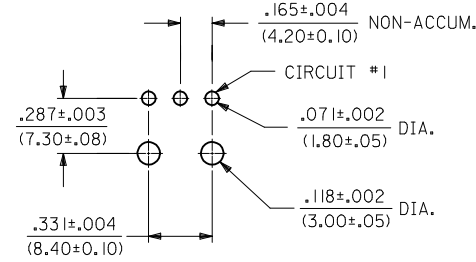
RIGHT ANGLE HEADER
(SCREW MOUNT)



RECOMMENDED HOLE LAYOUT FOR
.070/(1.78) MAX. THICK P.C. BOARD
VIEWED FROM COMPONENT SIDE



RIGHT ANGLE HEADER
(PEG MOUNT)



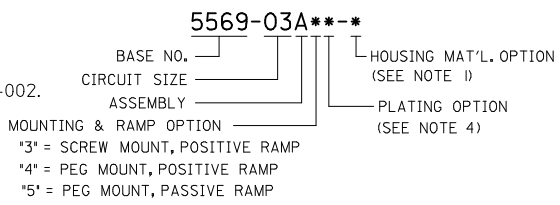
RECOMMENDED HOLE LAYOUT FOR
.070/(1.78) MAX. THICK P.C. BOARD
VIEWED FROM COMPONENT SIDE

NOTES:

- HOUSING MATERIAL:
"BLANK" = NYLON 6/6, U.L. 94V-2, COLOR: NATURAL.
210 = NYLON 6/6, U.L. 94V-0, COLOR: NATURAL.
BL = NYLON 6/6, U.L. 94V-2, COLOR: BLACK.
- PART MATES WITH MOLEX RECEPTACLE *5557.
- TERMINAL MATERIAL: BRASS, ALLOY
- TERMINAL PLATING:
"BLANK" - .000200/(.00508) MIN. BRIGHT TIN OVER .00100/(.00254) MIN. COPPER OVERALL.
G - .000030/(.00076) MIN. GOLD OVER .000050/(.00127) MIN. NICKEL OVERALL.
G2 - .000015/(.00038) MIN. GOLD OVER .000030/(.00076) MIN. NICKEL OVERALL.
S - .000100/(.00254) MIN. BRIGHT TIN OVER .000050/(.00127) MIN. NICKEL.
MS - .000100/(.00254) MIN. MATTE TIN OVER .000050/(.00127) MIN. NICKEL

- PART IS DESIGNED FOR USE WITH 4 - 40 OR M3 SCREWS.
- DISCOLORATION IN THE BANDOLIEN CARRIER AREA OF THE PIN IS INHERENT TO THE PLATING PROCESS AND IS DUE TO THE MASKING EFFECT OF THE CARRIER. THIS DISCOLORATION IS IN A NON-FUNCTIONAL AREA OF THE PIN AND WILL NOT AFFECT THE PERFORMANCE OF THE HEADER ASSEMBLY.
- CONNECTORS ARE NOT BE MATED OR UNMATED WHILE CIRCUITS ARE LIVE.
- PARTS ARE NOT DESIGNED FOR CURRENT SHARING.
- PART CONFORMS TO CLASS "B" REQUIREMENTS OF COSMETIC SPECIFICATION PS-45499-002.

LEGEND



*GS - .000030/(.00076) MIN. SELECT GOLD, .000100/(.00254) MIN. SELECT MATTE TIN OVER .000050/(.00127) MIN. NICKEL OVERALL.
*GS2 - .000015/(.00038) MIN. SELECT GOLD, .000100/(.00254) MIN. SELECT MATTE TIN OVER .000050/(.00127) MIN. NICKEL OVERALL.
*THE PRIMARY SHIPPING CARTON WILL BE LABELED "COMPLIANT TO RoHS DIRECTIVE 2002/95/EC AND ELV ANNEX II OF DIRECTIVE 2000/53/EC." CARTONS WITHOUT THIS LABEL MAY CONTAIN PRODUCT WITH TIN-LEAD PLATING.
5) PRODUCT SPECIFICATION AND PROCESSING PARAMETERS: SEE PS-5556-001

| | | | | | | |
|--|-------------------------------|---|------------------------------------|---------------------------------------|---|---------------------------|
| ADDED 50348577 EC NO: UCP2009-1190 DRAWN: JLOSTHEIMER 2008/11/13 CHKD: JIBELL 2008/11/13 APPR: FSM/TH 2008/11/14 | QUALITY SYMBOLS ▽=0 ▽=0 | GENERAL TOLERANCES (UNLESS SPECIFIED) | DIMENSION STYLE IN/MM | SCALE 1:1 | DESIGN UNITS METRIC | THIRD ANGLE PROJECTION |
| | | 4 PLACES ± --- ± --- 3 PLACES ± --- ± .010 2 PLACES ± 0.25 ± .015 1 PLACE ± 0.38 ± --- ANGULAR ± 3° | DRAWN BY GEP DATE 9/20/90 | CHECKED BY R/JF DATE 9/20/90 | TITLE RIGHT ANGLE HEADER ASSY, 3 CKT., SINGLE ROW, MINI-FIT JR. SERIES | MATERIAL NO. SEE CHART |
| DRAFT WHERE APPLICABLE MUST REMAIN WITHIN DIMENSIONS | | THIS DRAWING CONTAINS INFORMATION THAT IS PROPRIETARY TO MOLEX INCORPORATED AND SHOULD NOT BE USED WITHOUT WRITTEN PERMISSION | | | | |