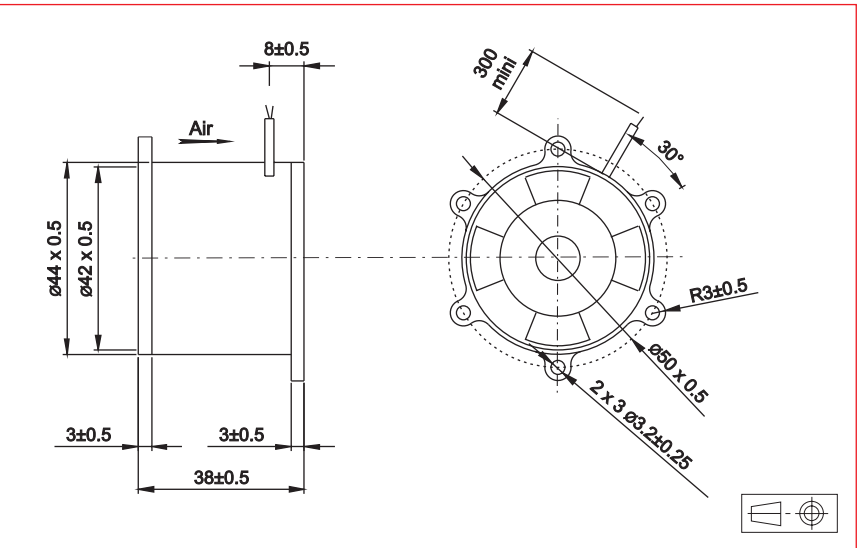




Approvals

Life expectancy

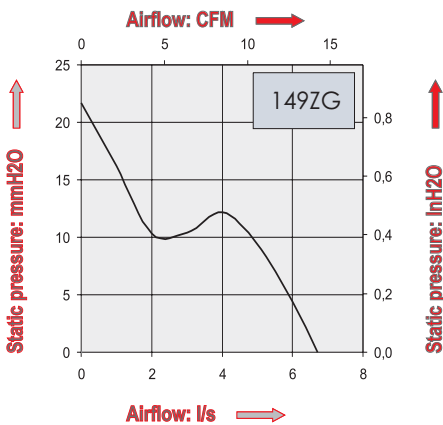
L-10 LIFE AT 40°C:
25 000 hours



400 Hz Motor

Housing material: aluminium
Impeller material: aluminium
Weight: 140 g
Bearing system: ball bearings

Connection: flying leads



Part Number	Nominal voltage	Airflow	Noise level	Nominal speed	Phases	Capacitor (not included)	Input power	Nominal Current	Starting Current	Operating temperature	
	V	l/s	dB(A)	RPM		µF	W	mA	mA	Min.°C	Max.°C
149ZG0562005	115	6,7	52,5	11500	3		9	96	208	-20	85
149ZG0560005	200	6,7	52,5	11500	3		9	55	120	-20	85

Additional versions:
Salt spray protected - Shock and vibration protected - Marine specifications
Wide temperature range