

**PLEASE CHECK WWW.MOLEX.COM FOR LATEST PART INFORMATION**

**Part Number:** [0885235200](#)  
**Status:** **Active**  
**Overview:** [fiber optic product families](#)  
**Description:** SC-to-SC, Multimode, 62.5/125µm, Duplex, 3.00mm (.118"), Standard Fiber Optic Cable Assembly, 1.0m (3.28' )

**Documents:**

[Drawing \(PDF\)](#) [RoHS Certificate of Compliance \(PDF\)](#)

**General**

Product Family	Fiber Optic Assemblies
Series	<a href="#">88523</a>
Connector to Connector	SC-to-SC
Mode	Multimode
Overview	<a href="#">fiber optic product families</a>
Product Name	SC

**Physical**

Cable Length	1.0m (3.28' )
Cable Size	3.00mm (.118")
Fiber (Core/Cladding)	62.5/125µm
Single Ended	No
Wire/Cable Type	Duplex

**Material Info**

Old Part Number	91.33.621.00100
-----------------	-----------------

**Reference - Drawing Numbers**

Sales Drawing	SD-88523-059
---------------	--------------

**EU RoHS**

**ELV and RoHS  
Compliant**

**REACH SVHC**

**Not Reviewed**

**Halogen-Free**

**Status**

**Not Reviewed**

**China RoHS**



**Need more information on product  
environmental compliance?**

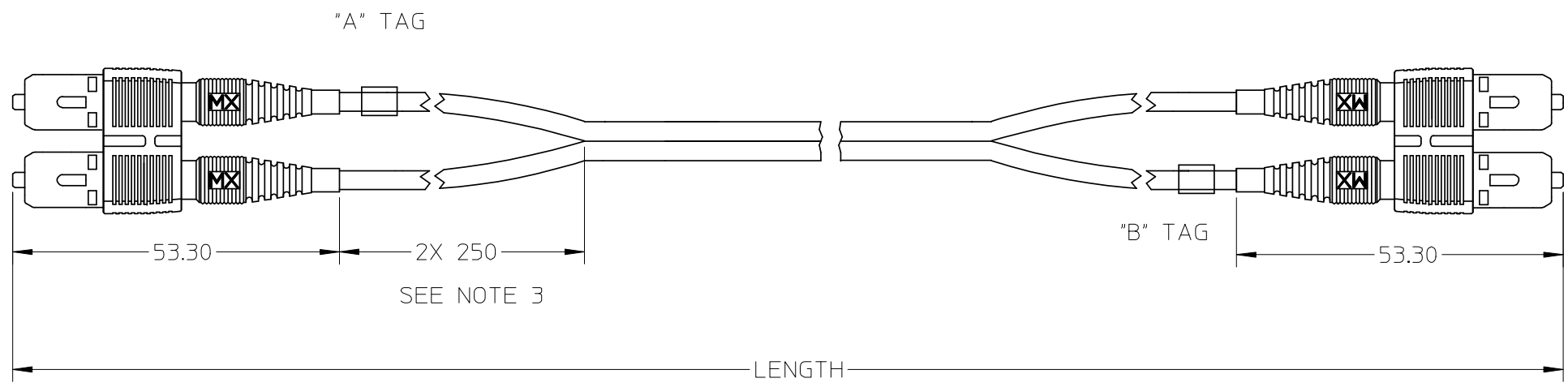
Email [productcompliance@molex.com](mailto:productcompliance@molex.com)  
 For a multiple part number RoHS Certificate of Compliance, [click here](#)

Please visit the [Contact Us](#) section for any non-product compliance questions.

**Search Parts in this Series**

[88523Series](#)

E E



D D

C C

885235219	SC-SC DUP MM 62.5/125 3MM 20M	20000(+200/-0)
885235214	SC-SC DUP MM 62.5/125 3MM 15M	15000(+200/-0)
885235209	SC-SC DUP MM 62.5/125 3MM 10M	10000(+200/-0)
885235206	SC-SC DUP MM 62.5/125 3MM 0.3M	300(+100/-0)
885235205	SC-SC DUP MM 62.5/125 3MM 6M	6000(+200/-0)
885235204	SC-SC DUP MM 62.5/125 3MM 5M	5000(+200/-0)
885235202	SC-SC DUP MM 62.5/125 3MM 3M	3000(+200/-0)
885235201	SC-SC DUP MM 62.5/125 3MM 2M	2000(+200/-0)
885235200	SC-SC DUP MM 62.5/125 3MM 1M	1000(+100/-0)
MX P/N	DESCRIPTION	LENGTH

B B

NOTES:

1. DUST CAPS ARE NOT SHOWN
2. PER CHANNEL 850nm  
IL<=0.50dB
3. IF CABLE LENGTH IS LESS THAN 0.7M, CABLE SPLIT LENGTH IS 50MM FROM END OF THE BOOT.

A A

ENTER DESCRIPTION EC NO: DG2009-0023 DRWN:XPCHEN CHKD: APPR:JOWANG 2008/08/04 2008/08/04 2008/08/04	QUALITY SYMBOLS	GENERAL TOLERANCES (UNLESS SPECIFIED)		DIMENSION STYLE MM ONLY		SCALE ---	DESIGN UNITS METRIC	THIRD ANGLE PROJECTION		
	$\nabla=0$ $\sphericalangle=0$	4 PLACES	mm	INCH	DRAWN BY XP	DATE 2008/07/17	TITLE SC-SC DUP MM 62.5 3MM			
		3 PLACES	±---	±---	CHECKED BY LISA	DATE 2008/07/17	APPROVED BY JOHNNY			
		2 PLACES	±---	±---	DATE 2008/07/17	MATERIAL NO. SEE TABLE				
	1 PLACE	±---	±---	ANGULAR ±---°		DOCUMENT NO. SD-88523-059		SHEET NO. 1 OF 1		
A	REV	DRAFT WHERE APPLICABLE MUST REMAIN WITHIN DIMENSIONS		THIS DRAWING CONTAINS INFORMATION THAT IS PROPRIETARY TO MOLEX INCORPORATED AND SHOULD NOT BE USED WITHOUT WRITTEN PERMISSION						