

PLEASE CHECK WWW.MOLEX.COM FOR LATEST PART INFORMATION

Part Number: **0561208628**
Status: **Active**
Description: CRC™ Shielded Rectangular I/O Female Terminal, Signal, Low-Insertion Force Type, Reel, Lead-free

Documents:

[Drawing \(PDF\)](#) [Product Specification PS-51238-018 \(PDF\)](#)
[Product Specification PS-500810-001 \(PDF\)](#) [RoHS Certificate of Compliance \(PDF\)](#)
[Product Specification PS-51238-017 \(PDF\)](#)

General

Product Family	I/O Connectors
Series	<u>56120</u>
Application	N/A
Component Type	Terminal
Product Name	CRC™
Type	N/A

Physical

Boot Color	N/A
Circuits (Loaded)	N/A
Durability (mating cycles max)	50
Gender	Female
Lock to Mating Part	Yes
Material - Metal	Phosphor Bronze
Material - Plating Mating	Gold
Material - Plating Termination	Tin
Orientation	Vertical
PCB Locator	No
Packaging Type	Reel
Panel Mount	N/A
Pitch - Mating Interface (in)	0.000 In
Pitch - Mating Interface (mm)	0.00 mm
Plating min: Mating (µin)	10
Plating min: Mating (µm)	0.25
Plating min: Termination (µin)	40
Plating min: Termination (µm)	1
Polarized to Mating Part	N/A
Polarized to PCB	N/A
Surface Mount Compatible (SMC)	N/A
Temperature Range - Operating	-55°C to +105°C
Termination Interface: Style	Crimp or Compression
Waterproof / Dustproof	No
Wire Insulation Diameter	1.60mm (.063") max.
Wire Size AWG	24, 28

Electrical

Current - Maximum per Contact	1.5A, 2.5A
Shielded	No
Voltage - Maximum	250V AC (RMS)/DC

Material Info

Reference - Drawing Numbers

Product Specification	PS-500810-001, PS-51238-017, PS-51238-018, RPS-51238-001
-----------------------	--



EU RoHS
ELV and RoHS
Compliant
REACH SVHC
 Not Reviewed
Halogen-Free
Status
Not Reviewed

China RoHS



Need more information on product environmental compliance?

Email productcompliance@molex.com
 For a multiple part number RoHS Certificate of Compliance, [click here](#)

Please visit the [Contact Us](#) section for any non-product compliance questions.

Search Parts in this Series
56120Series

Mates With
56116 24-28 AWG Sequential Type Terminal, 56117 18-22 AWG Sequential Type Terminal, 56118 24-28 AWG Terminal, 56119 18-22 AWG Terminal

Use With
51238 Receptacle Housing, 51239 Plug Housing

Application Tooling | FAQ
Tooling specifications and manuals are found by selecting the products below. Crimp Height Specifications are then contained in the Application Tooling Specification document.

Global	Product #
Description	
Extraction Tool for CRC™ Compact Robot Connector	<u>0638133200</u>

Crimp Female
Terminal for 18-28
AWG
Hand Tool for 0638192000
CRC™ Shielded
Rectangular I/O Male
Terminals, 24-28
AWG
FineAdjust™ 0638659000
Applicator

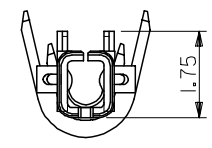
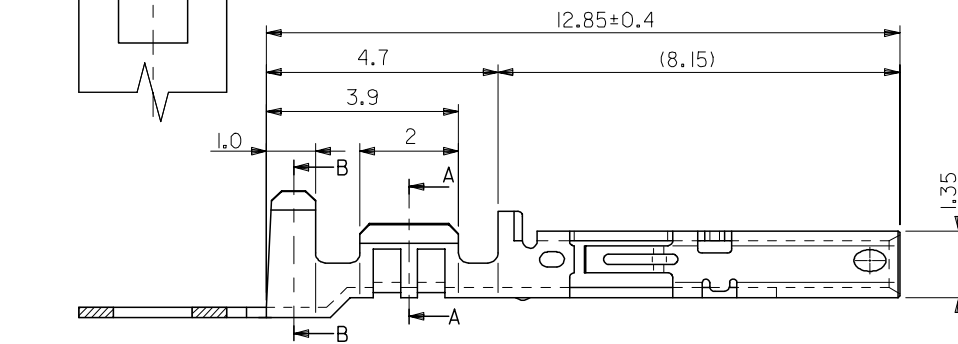
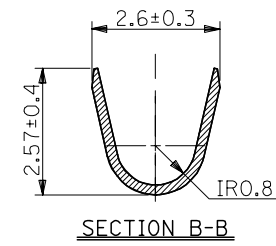
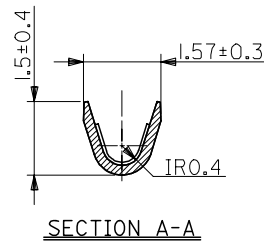
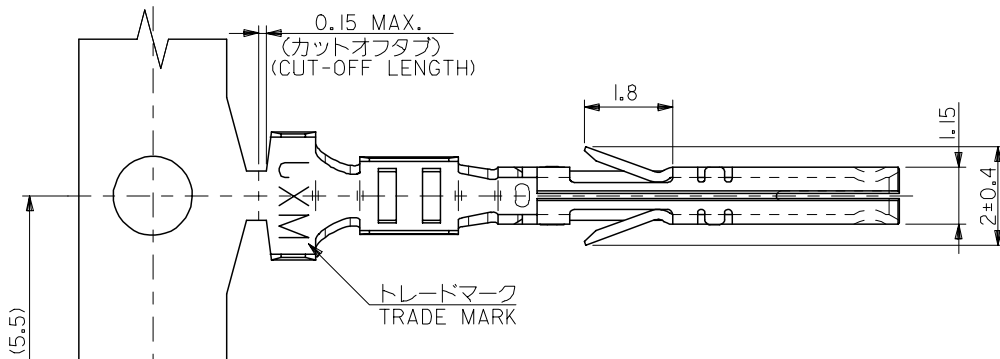
Description	Product #
Applicator for M211A Bench Press, 18-28 AWG, for 56116/56117/56118/56119/56120/56121 Crimp Terminal Hand Extraction Tool	<u>0574073000</u> <u>0574076100</u>

This document was generated on 04/12/2010

PLEASE CHECK WWW.MOLEX.COM FOR LATEST PART INFORMATION

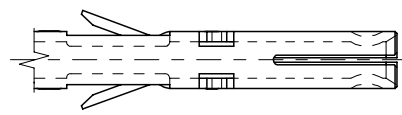
10 9 8 7 6 5 4 3 2 1

F
E
D
C
B
A



注記
NOTES

1. 材質
MATERIAL
りん青銅 (板厚: 0.2)
PHOSPHOR BRONZE (THICKNESS : 0.2)
2. メッキ仕様
TERMINAL PLATING
接点部 : 金メッキ 0.25 μm MIN.
CONTACT AREA : GOLD 0.25 μm MIN.
圧着部 : 錫メッキ 1.0 μm MIN.
CRIMP AREA : TIN 1.0 μm MIN.
下地メッキ : ニッケルメッキ 2 μm MIN.
UNDER PLATE : NICKEL 2 μm MIN.
3. 適用電線 : UL1007 , AWG #24~28
APPLICABLE WIRE RANGE : UL1007 , AWG #24~28
4. 被覆外径 : φ1.6 MAX.
INSULATION EXTERNAL DIA : φ1.6 MAX.
5. 適用ハウジング : 51238-**** , 51239-****
APPLICABLE HOUSING : 51238-**** , 51239-****



バラ状 LOOSE	56120-8728	56120-8***
連鎖状 CHAIN	56120-8628	
端子形状 TERMINAL CONFIGURATION	MATERIAL NO.	MODEL NO.

RELEASED EC NO: J2005-2545 DRAWN: YSUGIURA 2005/03/04 CHKD: MTANAKA 2005/03/07 APPR: NUKITA 2005/03/15	GENERAL TOLERANCES (UNLESS SPECIFIED)		DIMENSION STYLE MM ONLY		SCALE ---	DESIGN UNITS METRIC	THIRD ANGLE PROJECTION	
	10 UNDER	±0.2	DRAWN BY YSUGIURA	DATE 2005/02/28	TITLE COMPACT ROBOT CONN. 50CKT. CRIMP SOCKET -LEAD FREE-			
	10 OVER 30 UNDER	±0.25	CHECKED BY MTANAKA	DATE 2005/02/28	MOLEX INCORPORATED			
	30 OVER	±0.3	APPROVED BY NUKITA	DATE 2005/02/28	DOCUMENT NO. SD-56120-008			
	ANGULAR	±3 °	MATERIAL NO. SEE CHART		SHEET NO. 1 OF 1			
0	DRAFT WHERE APPLICABLE MUST REMAIN WITHIN DIMENSIONS		SIZE A3		THIS DRAWING CONTAINS INFORMATION THAT IS PROPRIETARY TO MOLEX INCORPORATED AND SHOULD NOT BE USED WITHOUT WRITTEN PERMISSION			