

**PLEASE CHECK WWW.MOLEX.COM FOR LATEST PART INFORMATION**

**Part Number:** **0395434305**  
**Status:** **Active**  
**Description:** 5.00mm (.197") Pitch Eurostyle™ 45° Wire Entry Fixed Mount PCB Terminal Block, 5 Circuits

**Documents:**

[3D Model](#)  
[Drawing \(PDF\)](#)

[RoHS Certificate of Compliance \(PDF\)](#)

**General**

Product Family	Terminal Blocks
Series	<a href="#">39543</a>
Application	Wire-to-Board
Component Type	One Piece
Product Literature Order No	USA-355
Product Name	ESE, Eurostyle™ Fixed Mount
Type	Euro Block

**Physical**

Circuits (Loaded)	5
Entry Angle	45° Angle
Lock to Mating Part	None
Number of Rows	1
Orientation	45° Angle
PC Tail Length (in)	0.173 In
PC Tail Length (mm)	4.40 mm
PCB Thickness Recommended (in)	0.134 In
PCB Thickness Recommended (mm)	3.40 mm
Panel Mount	No
Pitch - Mating Interface (in)	0.197 In
Pitch - Mating Interface (mm)	5.00 mm
Polarized to Mating Part	N/A
Stackable	No
Temperature Range - Operating	-40°C to +105°C
Wire Size AWG	14, 16, 18, 20, 22
Wire Size mm²	0.33 - 2.08

**Electrical**

Current - Maximum per Contact	10A
Voltage - Maximum	300V

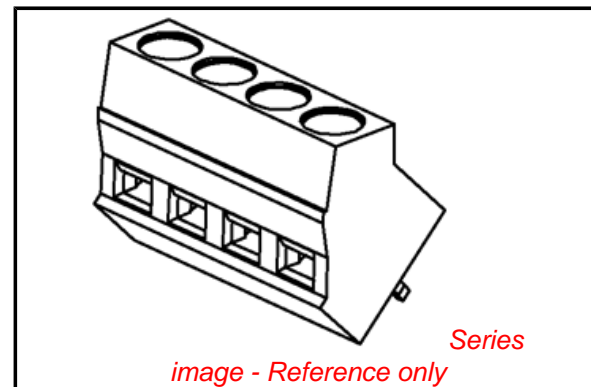
**Solder Process Data**

Duration at Max. Process Temperature (seconds)	5
Lead-free Process Capability	Wave Capable (TH only)
Max. Cycles at Max. Process Temperature	135
Process Temperature max. C	260

**Material Info**

**Reference - Drawing Numbers**

Sales Drawing SD-39501-002, SD-39543-002



**EU RoHS**

**ELV and RoHS Compliant**  
**REACH SVHC**  
 Not Reviewed  
**Halogen-Free Status**

**China RoHS**



**Not Reviewed**

**Need more information on product environmental compliance?**

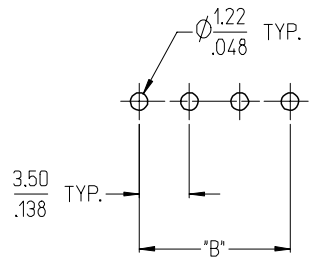
Email [productcompliance@molex.com](mailto:productcompliance@molex.com)  
 For a multiple part number RoHS Certificate of Compliance, [click here](#)

Please visit the [Contact Us](#) section for any non-product compliance questions.

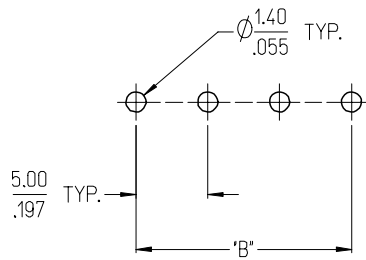
**Search Parts in this Series**

[39543Series](#)

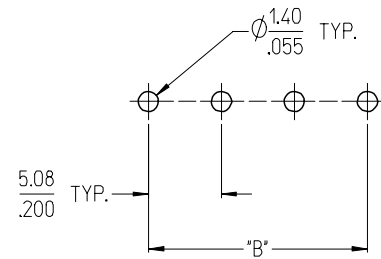
3950X SERIES  
3.50mm HEADERS



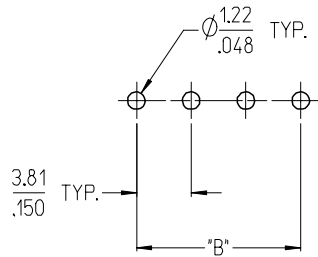
3952X & 3954X SERIES  
5.00mm HEADERS  
5.00mm 10 AMP FIXED



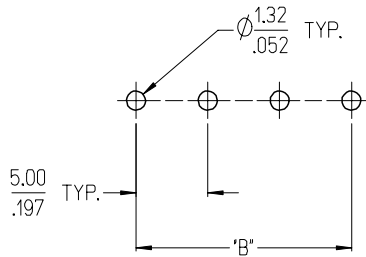
3953X SERIES  
5.08mm HEADERS



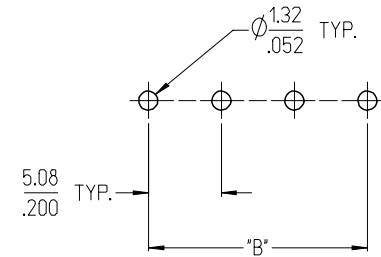
3951X SERIES  
3.81mm HEADERS



3954X SERIES  
5.00mm 15 AMP FIXED



3954X SERIES  
5.08mm 15 AMP FIXED



NOTES:

- REFER TO INDIVIDUAL PRODUCT SALES DRAWINGS FOR "B" DIMENSION.
- DOES NOT APPLY TO DUAL LEVEL HEADERS, SERIES 39528 AND 39538.
- TYP. = TYPICAL.

INITIAL RELEASE  
EC NO: ETC2007-0096  
DRAWN: CLYORK 2006/10/02  
CHKD: JMACNEIL 2006/10/04  
APPR: JMACNEIL 2006/10/04

QUALITY SYMBOLS  
 = 0  
 = 0

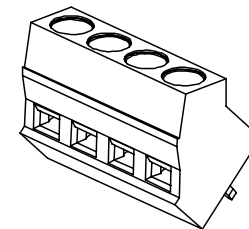
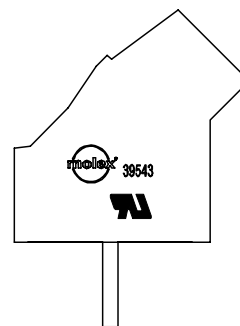
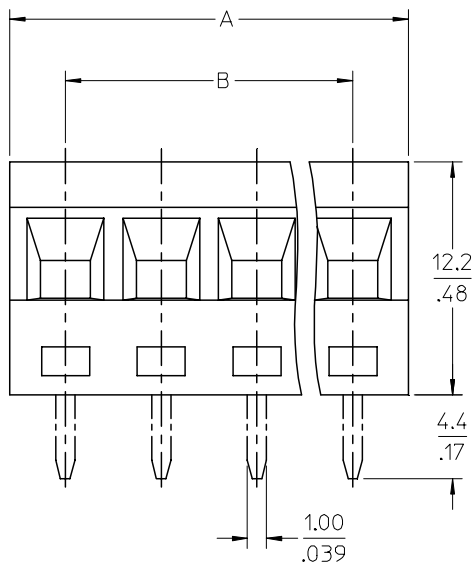
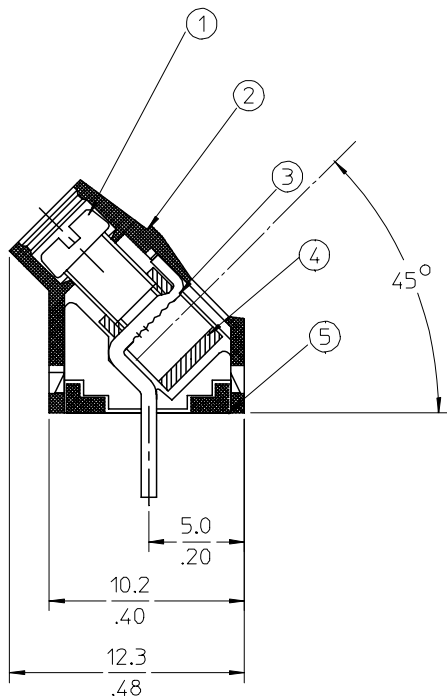
GENERAL TOLERANCES (UNLESS SPECIFIED)	
	MM/IN
4 PLACES	± --- ± ---
3 PLACES	± --- ± .005
2 PLACES	± 0.13 ± .01
1 PLACE	± 0.3 ± ---
ANGULAR ± 2 °	

DIMENSION STYLE	
MM/IN	
DRAWN BY	DATE
C. YORK	2006/08/25
CHECKED BY	DATE
J. MACNEIL	2006/08/25
APPROVED BY	DATE
J. MACNEIL	2006/08/25
MATERIAL NO.	
--	

SCALE	DESIGN UNITS	THIRD ANGLE PROJECTION
3:1	INCH	
TITLE		
RECOMMENDED PCB LAYOUT FOR ESE TERMINAL BLOCKS		
MOLEX INCORPORATED		
DOCUMENT NO.	SHEET NO.	
SD-39501-002	1 OF 1	

10 9 8 7 6 5 4 3 2 1

F  
E  
D  
C  
B  
A



NOTES:

1. Material:
  - (1), Screw: C1010,
  - (2), Body: PA66
  - (3), Terminal: Brass
  - (4), Cage: Brass
  - (5), Cover: PA66
2. Wire range: 22 - 14AWG.
3. Electrical rating: 300V, 10A.
4. MAX TORQUE: 3 in-lbs.
5. Wire strip length: 5.00mm.
6. Dielectric withstands: AC2000V for 1 minute.
7. Breakdown voltage: 4000v(12/50us), 5 times.
8. Insulation resistance: DC500V, 1000M.
9. Operating temperature: -40C to +105C.
10. A = N x P.
11. B = (N-1) x P.
12. P = (Pitch) = 5.00MM (.197").
13. N = Number of positions available 2 through 24.

ENTER DESCRIPTION EC NO: NEO2006-0310 DRWNL: LROTHAUS 2006/01/09 CHKD: CYORK 2006/01/09 APPR: JPAMLIK 2006/01/10	DESCRIPTION QUALITY SYMBOLS ▽=0 ▽=0	GENERAL TOLERANCES (UNLESS SPECIFIED)		DIMENSION STYLE	SCALE	DESIGN UNITS	THIRD ANGLE PROJECTION	
				MM/IN	4:1	INCH		
		4 PLACES ± --- ±.0015	DRAWN BY	DATE	TITLE			
		3 PLACES ±0.038 ±.005	LROTHAUS	10-7-05	5.0MM, EURO TERM. BLOCK PC MOUNT, 45 DEGREES			
2 PLACES ±0.13 ±.01	CHECKED BY	DATE	APPROVED BY					
1 PLACE ±0.3 ±---	C. YORK	01/06/06	DATE					
ANGULAR ± 2 °	MATERIAL NO.		DOCUMENT NO.		SHEET NO.			
DRAFT WHERE APPLICABLE MUST REMAIN WITHIN DIMENSIONS	SEE CHART		SD-39543-002		1 OF 1			
	SIZE	THIS DRAWING CONTAINS INFORMATION THAT IS PROPRIETARY TO MOLEX INCORPORATED AND SHOULD NOT BE USED WITHOUT WRITTEN PERMISSION						
	B							

9 8 7 6 5 4 3 2 1

10 9 8 7 6 5 4 3 2 1

Description	Circuit size	Material Numbers						Dimensional Information			
		Black			Green						
		100% Tin			100% Tin						
		Printing Options			Printing Options			Dim. A		Dim B	
None	10A	11A	None	10A	11A	mm	inch	mm	inch		
5.0mm, Euro Block, PC Mount, 45 Deg	2	395434302	395436302	395438302	395934302	395936302	395938302	10.80	0.425	5.00	0.197
5.0mm, Euro Block, PC Mount, 45 Deg	3	395434303	395436303	395438303	395934303	395936303	395938303	15.80	0.622	10.00	0.394
5.0mm, Euro Block, PC Mount, 45 Deg	4	395434304	395436304	395438304	395934304	395936304	395938304	20.80	0.819	15.00	0.591
5.0mm, Euro Block, PC Mount, 45 Deg	5	395434305	395436305	395438305	395934305	395936305	395938305	25.80	1.016	20.00	0.787
5.0mm, Euro Block, PC Mount, 45 Deg	6	395434306	395436306	395438306	395934306	395936306	395938306	30.80	1.213	25.00	0.984
5.0mm, Euro Block, PC Mount, 45 Deg	7	395434307	395436307	395438307	395934307	395936307	395938307	35.80	1.409	30.00	1.181
5.0mm, Euro Block, PC Mount, 45 Deg	8	395434308	395436308	395438308	395934308	395936308	395938308	40.80	1.606	35.00	1.378
5.0mm, Euro Block, PC Mount, 45 Deg	9	395434309	395436309	395438309	395934309	395936309	395938309	45.80	1.803	40.00	1.575
5.0mm, Euro Block, PC Mount, 45 Deg	10	395434310	395436310	395438310	395934310	395936310	395938310	50.80	2.000	45.00	1.772
5.0mm, Euro Block, PC Mount, 45 Deg	11	395434311	395436311	395438311	395934311	395936311	395938311	55.80	2.197	50.00	1.969
5.0mm, Euro Block, PC Mount, 45 Deg	12	395434312	395436312	395438312	395934312	395936312	395938312	60.80	2.394	55.00	2.165
5.0mm, Euro Block, PC Mount, 45 Deg	13	395434313	395436313	395438313	395934313	395936313	395938313	65.80	2.591	60.00	2.362
5.0mm, Euro Block, PC Mount, 45 Deg	14	395434314	395436314	395438314	395934314	395936314	395938314	70.80	2.787	65.00	2.559
5.0mm, Euro Block, PC Mount, 45 Deg	15	395434315	395436315	395438315	395934315	395936315	395938315	75.80	2.984	70.00	2.756
5.0mm, Euro Block, PC Mount, 45 Deg	16	395434316	395436316	395438316	395934316	395936316	395938316	80.80	3.181	75.00	2.953
5.0mm, Euro Block, PC Mount, 45 Deg	17	395434317	395436317	395438317	395934317	395936317	395938317	85.80	3.378	80.00	3.150
5.0mm, Euro Block, PC Mount, 45 Deg	18	395434318	395436318	395438318	395934318	395936318	395938318	90.80	3.575	85.00	3.346
5.0mm, Euro Block, PC Mount, 45 Deg	19	395434319	395436319	395438319	395934319	395936319	395938319	95.80	3.772	90.00	3.543
5.0mm, Euro Block, PC Mount, 45 Deg	20	395434320	395436320	395438320	395934320	395936320	395938320	100.80	3.968	95.00	3.740
5.0mm, Euro Block, PC Mount, 45 Deg	21	395434321	395436321	395438321	395934321	395936321	395938321	105.80	4.165	100.00	3.937
5.0mm, Euro Block, PC Mount, 45 Deg	22	395434322	395436322	395438322	395934322	395936322	395938322	110.80	4.362	105.00	4.134
5.0mm, Euro Block, PC Mount, 45 Deg	23	395434323	395436323	395438323	395934323	395936323	395938323	115.80	4.559	110.00	4.331
5.0mm, Euro Block, PC Mount, 45 Deg	24	395434324	395436324	395438324	395934324	395936324	395938324	120.80	4.756	115.00	4.528

SEE SHEET 1 EC NO: NEC2006-0310 DRWN: L.ROTHAUS 2006/01/09 CHKD: C.YORK 2006/01/09 APPR: J.PAMLICK 2006/01/10	QUALITY SYMBOLS ▽=0 ▽=0	GENERAL TOLERANCES (UNLESS SPECIFIED)		DIMENSION STYLE MM/IN		SCALE 4:1	DESIGN UNITS INCH	THIRD ANGLE PROJECTION				
		4 PLACES ± --- ±.0015	3 PLACES ±0.038 ±.005	2 PLACES ±0.13 ±.01	1 PLACE ±0.3 ±---	DRAWN BY L.ROTHAUS	DATE 12/6/05		TITLE 5.0MM, EURO TERM. BLOCK PC MOUNT, 45 DEGREE			
		ANGULAR ± 2 °		DRAFT WHERE APPLICABLE MUST REMAIN WITHIN DIMENSIONS		CHECKED BY C. YORK	DATE 01/05/06	APPROVED BY	DATE	MATERIAL NO. SEE CHART	DOCUMENT NO. SD-39543-002	SHEET NO. 2 OF 2
		MOLEX INCORPORATED THIS DRAWING CONTAINS INFORMATION THAT IS PROPRIETARY TO MOLEX INCORPORATED AND SHOULD NOT BE USED WITHOUT WRITTEN PERMISSION										

9 8 7 6 5 4 3 2 1