

**PLEASE CHECK WWW.MOLEX.COM FOR LATEST PART INFORMATION**

**Part Number:** [0355070202](#)  
**Status:** **Active**  
**Overview:** sherlock  
**Description:** 2.00mm (.079") Pitch Sherlock™ Wire-to-Board Housing, Red, 2 Circuits

**Documents:**

[3D Model](#) [Product Specification PS-35507-002 \(PDF\)](#)  
[Drawing \(PDF\)](#) [RoHS Certificate of Compliance \(PDF\)](#)  
[Product Specification PS-35507-001 \(PDF\)](#)

**Agency Certification**

CSA LR19980  
 UL E29179

**General**

Product Family Crimp Housings  
 Series [35507](#)  
 Overview [sherlock](#)  
 Product Name Sherlock™

**Physical**

Circuits (maximum) 2  
 Circuits Detail 2  
 Color - Resin Red  
 Flammability 94V-0  
 Gender Female  
 Glow-Wire Compliant No  
 Keying to Mating Part None  
 Lock to Mating Part Yes  
 Material - Resin Polyester  
 Number of Rows 1  
 Packaging Type Bag  
 Panel Mount No  
 Pitch - Mating Interface (in) 0.079 In  
 Pitch - Mating Interface (mm) 2.00 mm  
 Polarized to Mating Part Yes  
 Stackable No  
 Temperature Range - Operating -40°C to +105°C

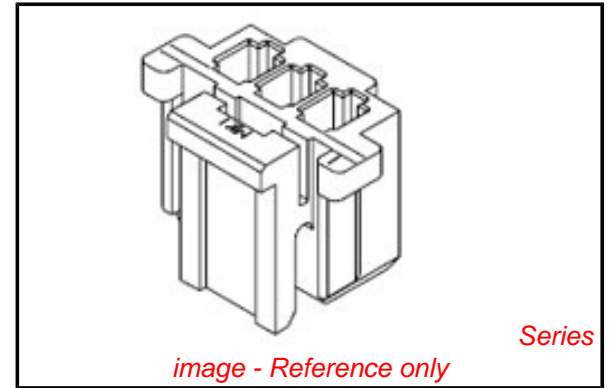
**Electrical**

Current - Maximum per Contact 2A

**Material Info**

**Reference - Drawing Numbers**

Product Specification PS-35507-001, PS-35507-002, RPS-35507-003,  
 RPS-35507-004, RPS-35507-005, RPS-35507-009,  
 RPS-35507-011  
 Sales Drawing SD-35507-001



**EU RoHS**

**ELV and RoHS  
 Compliant**

**REACH SVHC**

Not Reviewed

**Halogen-Free**

**Status**

**Not Halogen-Free**

**Need more information on product  
 environmental compliance?**

Email [productcompliance@molex.com](mailto:productcompliance@molex.com)  
 For a multiple part number RoHS Certificate of  
 Compliance, [click here](#)

Please visit the [Contact Us](#) section for any  
 non-product compliance questions.

**China RoHS**



**Search Parts in this Series**

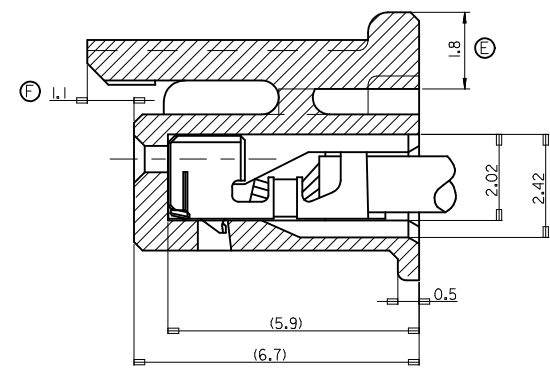
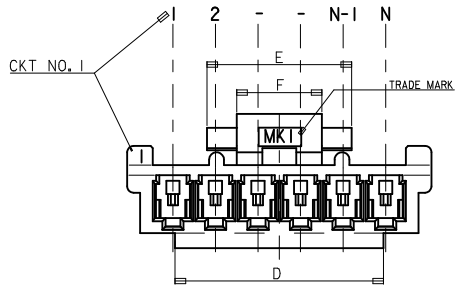
[35507Series](#)

**Mates With**

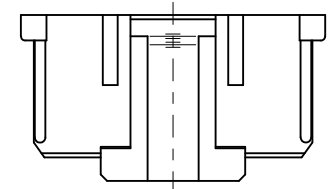
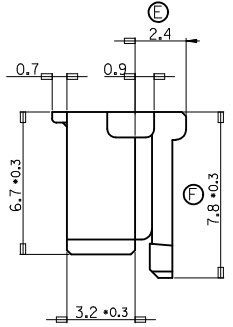
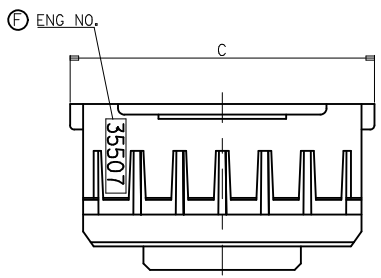
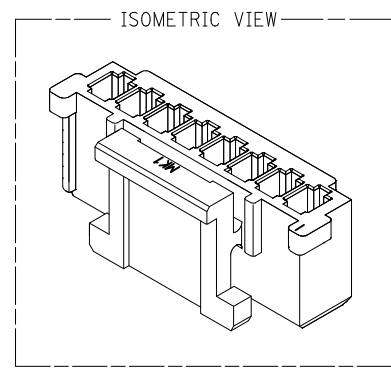
Sherlock™ Wire-to-Board Header [35362](#) ,  
[35363](#)

**Use With**

2.00mm (.079") Pitch Crimp Terminal [50212](#)  
 , [10440](#)

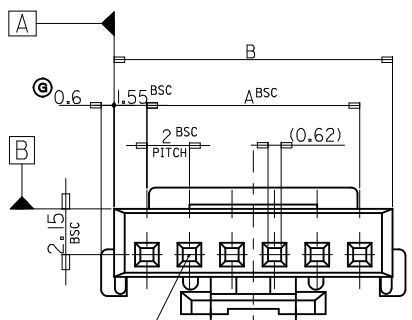


TERMINAL INSERTED DRAWING  
SCALE 2:1



NOTES

- 1. MATERIAL : POLYESTER, UL94V-0
- 2. FINISH : VARIABLE COLOR (SEE LEGEND)
- 3. PRODUCT SPECIFICATION NO : PS-35507-001
- 4. APPLICABLE TERMINAL : 50212-8000
- 5. MATES WITH : 35362-\*\*\*, 35363-\*\*\*



LEGEND

0	: NATURAL
1	: BLACK
2	: RED
3	: YELLOW
4	: BLUE
5	: GREEN

30 over	+0.3
10 over 30 under	±0.25
10 under	±0.2
ANGLE	±3°
GENERAL TOLERANCE	

REVISED  
EC NO: KOR2008-0029  
DRWN: JHLE05 2009/12/18  
CHKD: KSK IM 2009/12/18  
APPR: YUNSIKKIM 2009/12/21

QUALITY SYMBOLS  
▽=1  
∇=0

GENERAL TOLERANCES (UNLESS SPECIFIED)

	mm	INCH
4 PLACES	± ---	± ---
3 PLACES	± ---	± ---
2 PLACES	± ---	± ---
1 PLACE	± ---	± ---

ANGULAR ± ---°

DRAFT WHERE APPLICABLE  
MUST REMAIN  
WITHIN DIMENSIONS

DIMENSION STYLE  
MM ONLY

DRAWN BY  
YSKIM02

DATE  
1996/09/11

CHECKED BY  
YSKIM04

DATE  
1996/09/11

APPROVED BY  
CWLEE

DATE  
1996/09/12

MATERIAL NO.  
SEE TABLE

SCALE  
1:1

DESIGN UNITS  
METRIC

THIRD ANGLE PROJECTION

2.0 W-T-B CONN HOUSING  
4-15P ONLY

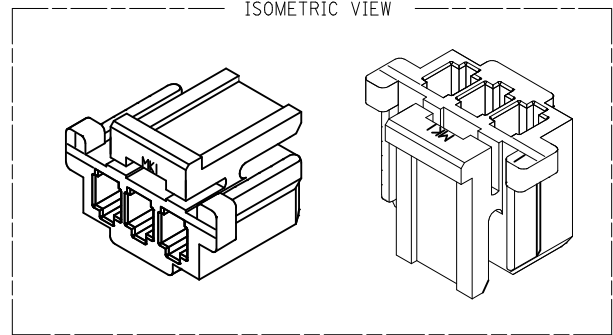
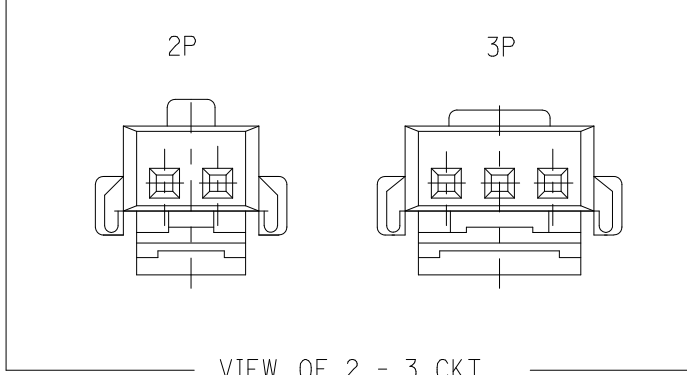
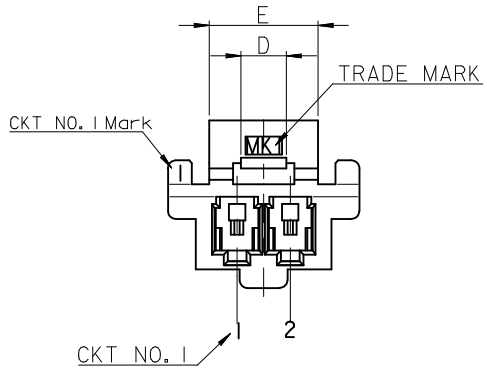
MOLEX MOLEX INCORPORATED

DOCUMENT NO.  
SD-35507-001

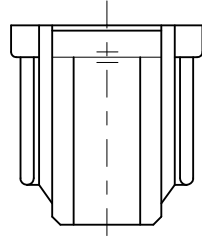
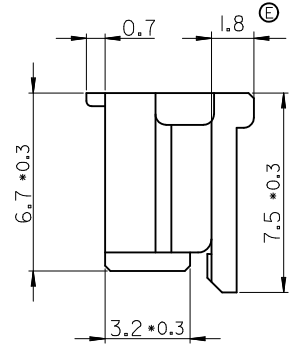
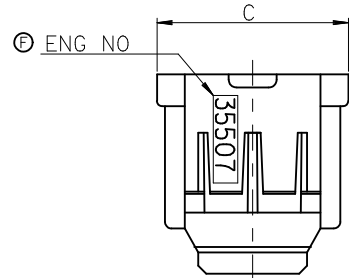
SHEET NO.  
1 OF 3

THIS DRAWING CONTAINS INFORMATION THAT IS PROPRIETARY TO MOLEX INCORPORATED AND SHOULD NOT BE USED WITHOUT WRITTEN PERMISSION

4	4	27.8	32.3	31.1	28	-150*	15
		25.8	30.3	29.1	26	-140*	14
		23.8	28.3	27.1	24	-130*	13
		21.8	26.3	25.1	22	-120*	12
		19.8	24.3	23.1	20	-110*	11
		17.8	22.3	21.1	18	-100*	10
7	7	15.8	20.3	19.1	16	-090*	9
8.0	10.8	13.8	18.3	17.1	14	-080*	8
4	4	11.8	16.3	15.1	12	-070*	7
		9.8	14.3	13.1	10	-060*	6
		7.8	12.3	11.1	8	-050*	5
410	614	5.8	10.3	9.1	6	35507-040*	4
F	E	D	C	B	A	ENG NO.	CKT

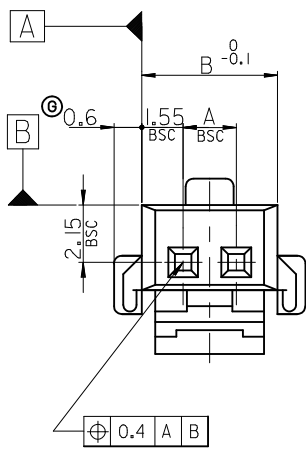


FOR 2 & 3 CKTS.



LEGEND

CKT NO.	**0*	COLOR	0 : NATURAL
			1 : BLACK
			2 : RED
			3 : YELLOW
			4 : BLUE
			5 : GREEN



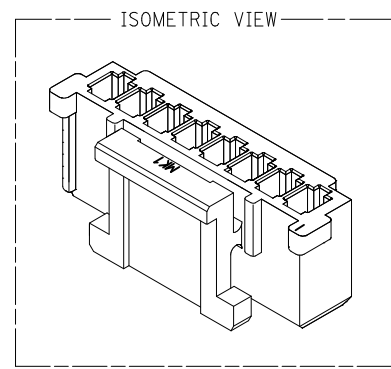
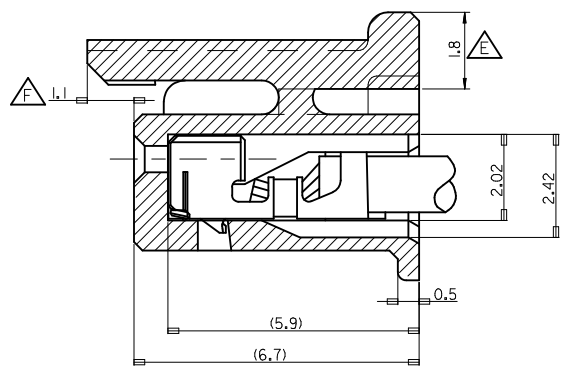
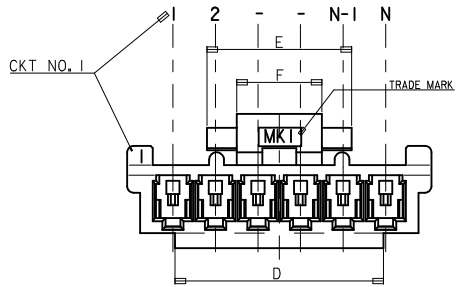
30 over	±0.3
10 over 30 under	±0.25
10 under	±0.2
ANGLE	±3°
GENERAL TOLERANCE	

NOTES

1. MATERIAL : POLYESTER, UL94V-0
2. FINISH : VARIABLE COLOR (SEE LEGEND)
3. PRODUCT SPECIFICATION NO : PS-35507-001
4. APPLICABLE TERMINAL : 50212-8000
5. MATES WITH : 35362-\*\*\*, 35363-\*\*\*

2.5	9.2	7.1	4	-030*	3
1.7	7.2	5.1	2	35507-020*	2
D	C	B	A	ENG NO.	CKT

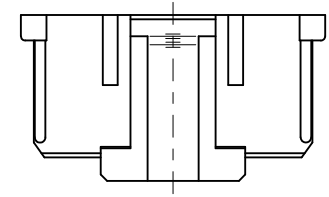
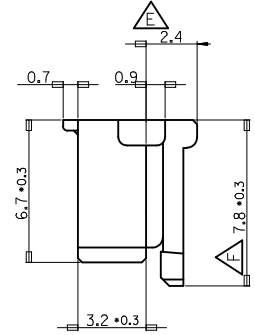
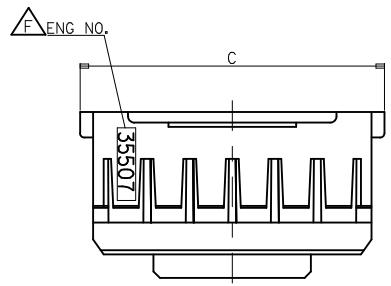
REVISED EC NO: KOR2008-0029 DRWN: JHLE05 2009/12/18 CHKD: KSK IM 2009/12/18 APPR: YUNSIKKIM 2009/12/21	QUALITY SYMBOLS ▽=0 ◻=0	GENERAL TOLERANCES (UNLESS SPECIFIED)	DIMENSION STYLE MM ONLY	SCALE 1:1	DESIGN UNITS METRIC	THIRD ANGLE PROJECTION															
		<table border="1"> <thead> <tr> <th></th> <th>mm</th> <th>INCH</th> </tr> </thead> <tbody> <tr> <td>4 PLACES</td> <td>± ---</td> <td>± ---</td> </tr> <tr> <td>3 PLACES</td> <td>± ---</td> <td>± ---</td> </tr> <tr> <td>2 PLACES</td> <td>± ---</td> <td>± ---</td> </tr> <tr> <td>1 PLACE</td> <td>± ---</td> <td>± ---</td> </tr> <tr> <td colspan="3">ANGULAR ± ---°</td> </tr> </tbody> </table>		mm	INCH	4 PLACES	± ---	± ---	3 PLACES	± ---	± ---	2 PLACES	± ---	± ---	1 PLACE	± ---	± ---	ANGULAR ± ---°			DRAWN BY YSKIM02
	mm	INCH																			
4 PLACES	± ---	± ---																			
3 PLACES	± ---	± ---																			
2 PLACES	± ---	± ---																			
1 PLACE	± ---	± ---																			
ANGULAR ± ---°																					
G	DESCRIPTION REV	DRAFT WHERE APPLICABLE MUST REMAIN WITHIN DIMENSIONS	CHECKED BY YSKIM04	DATE 1996/09/11	MOLEX INCORPORATED																
		MATERIAL NO. SEE TABLE	APPROVED BY CWLEE	DATE 1996/09/11	DOCUMENT NO. SD-35507-001	SHEET NO. 2 OF 3															



TERMINAL INSERTED DRAWING  
SCALE 8:1

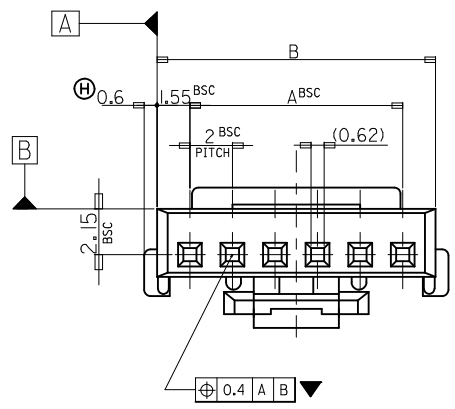
NOTES

1. MATERIAL : POLYESTER, NON GLASS FILLED, UL94V-0
2. FINISH : VARIABLE COLOR (SEE LEGEND)
3. PRODUCT SPECIFICATION : PS-35507-001
4. APPLICABLE TERMINAL : 50212-8000
5. MATES WITH : 35362-\*\*\*, 35363-\*\*\*



LEGEND

CKT NO.	**0*	COLOR	0 : NATURAL
			1 : BLACK
			2 : RED
			3 : YELLOW
			4 : BLUE
			5 : GREEN



8.0	10.8	37.8	42.3	41.1	38	35507200*	35507-200*	20
8.0	10.8	35.8	40.3	39.1	36	35507190*	35507-190*	19
8.0	10.8	33.8	38.3	37.1	34	35507180*	35507-180*	18
8.0	10.8	31.8	36.3	35.1	32	35507170*	35507-170*	17
8.0	10.8	29.8	34.3	33.1	30	35507160*	35507-160*	16
F	E	D	C	B	A	MATERIAL NO.	ENG NO.	CKT

REVISED EC NO: KOR2008-0029 DRWN: JHLEE05 2009/12/18 CHKD: KSK IM 2009/12/18 APPR: YUNSIKKIM 2009/12/18	QUALITY SYMBOLS	GENERAL TOLERANCES (UNLESS SPECIFIED)	DIMENSION STYLE	SCALE	DESIGN UNITS	THIRD ANGLE PROJECTION
	▼ = 0 ◻ = 0	mm    INCH 4 PLACES ± --- ± --- 3 PLACES ± --- ± --- 2 PLACES ± --- ± --- 1 PLACE ± --- ± --- ANGULAR ± ---°	MM ONLY	1:1	METRIC	
	DESCRIPTION	DRAFT WHERE APPLICABLE MUST REMAIN WITHIN DIMENSIONS	DRAWN BY	DATE	TITLE	MOLEX INCORPORATED SD-35507-001
	REV		YSKIM02	1996/09/11	2.0 W-T-B CONN HOUSING	
			CHECKED BY	DATE		
		YSKIM04	1996/09/11			
		APPROVED BY	DATE			
		CWLEE	1996/09/11			
		MATERIAL NO.	DOCUMENT NO.	SHEET NO.		
		SEE TABLE		3 OF 3		