

**SOT-323 DIGITAL TRANSISTORS
TRANSISTORS(PNP)**


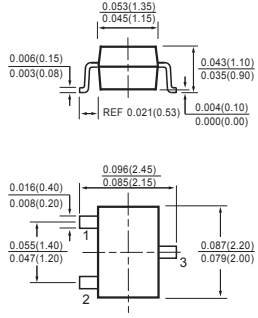
FEATURES

- * Built-in bias resistors enable the configuration of an inverter circuit without connecting external input resistors.(see equivalent circuit).
- * The bias resistors consist of thin-film resistors with complete isolation to without connecting external input. They also have the advantage of almost completely eliminating parasitic effects.
- * Only the on/off conditions need to be set for operation making device design easy.

MECHANICAL DATA


- * Case: Molded plastic
- * Epoxy: UL 94V-O rate flame retardant
- * Lead: MIL-STD-202E method 208C guaranteed
- * Mounting position: Any
- * Weight: 0.006 gram

SOT-323

Dimensions in inches and (millimeters)

MAXIMUM RATINGS AND ELECTRICAL CHARACTERISTICS
Ratings at 25°C ambient temperature unless otherwise specified.



(1) BASE
(2) EMITTER
(3) COLLECTOR

MAXIMUM RATINGS (@ TA = 25°C unless otherwise noted)

RATINGS	SYMBOL	VALUE	UNITS
Collector-Base Voltage	V _{CB0}	-50	V
Collector-Emitter Voltage	V _{CEO}	-50	V
Emitter-base Voltage	V _{EB0}	-5	V
Collector Continuous Current	I _C	-100	mA
Collector Dissipation	P _C	200	mW
Junction and storage Temperature	T _J , T _{STG}	-55 to +150	°C

ELECTRICAL CHARACTERISTICS (@ TA = 25°C unless otherwise noted)

CHARACTERISTICS	SYMBOL	MIN.	TYP.	MAX.	UNITS
Collector-base breakdown voltage (I _C = -50μA, I _E =0)	V _{(BR)CBO}	-50	-	-	V
Collector-emitter breakdown voltage (I _C = -1mA, I _B =0)	V _{(BR)CEO}	-50	-	-	V
Emitter-base breakdown voltage (I _E = -50μA, I _C =0)	V _{(BR)EBO}	-5	-	-	V
Collector cut-off current (V _{CB} = -50V, I _E =0)	I _{CBO}	-	-	-0.5	μA
Emitter cut-off current (V _{EB} = -4V, I _C =0)	I _{EBO}	-	-	-0.5	μA
DC current gain (V _{CE} = -5V, I _C = -1mA)	h _{FE}	100	250	600	
Collector-emitter saturation voltage (I _C = -10mA, I _B = -1mA)	V _{CE(sat)}	-	-	-0.3	V
Transistion frequency (V _{CE} = -10V, I _C = -5mA, f=100MHz)	f _T	-	250	-	MHz
Input resistor	R ₁	7	10	13	KΩ

Note: "Fully ROHS compliant", "100% Sn plating (Pb-free)".

RATING AND CHARACTERISTICS CURVES (DTA114TUA)

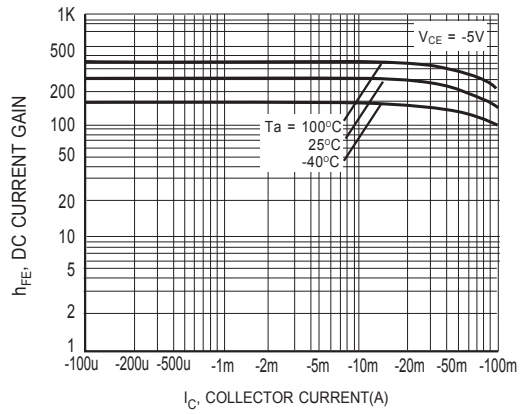


Figure 1 DC current gain vs. collector current

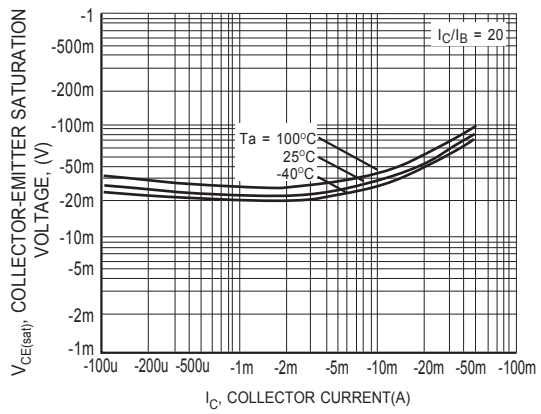


Figure 2 Collector-emitter saturation voltage vs. collector current

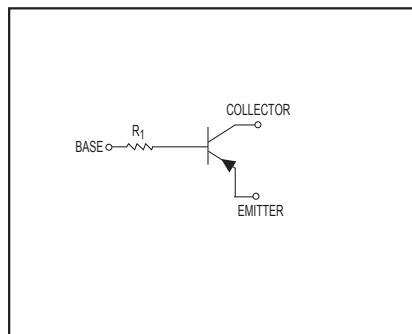


Figure3 Equivalent circuit

DISCLAIMER NOTICE

Rectron Inc reserves the right to make changes without notice to any product specification herein, to make corrections, modifications, enhancements or other changes. Rectron Inc or anyone on its behalf assumes no responsibility or liability for any errors or inaccuracies. Data sheet specifications and its information contained are intended to provide a product description only. "Typical" parameters which may be included on RECTRON data sheets and/ or specifications can and do vary in different applications and actual performance may vary over time. Rectron Inc does not assume any liability arising out of the application or use of any product or circuit.

Rectron products are not designed, intended or authorized for use in medical, life-saving implant or other applications intended for life-sustaining or other related applications where a failure or malfunction of component or circuitry may directly or indirectly cause injury or threaten a life without expressed written approval of Rectron Inc. Customers using or selling Rectron components for use in such applications do so at their own risk and shall agree to fully indemnify Rectron Inc and its subsidiaries harmless against all claims, damages and expenditures.