

**PLEASE CHECK WWW.MOLEX.COM FOR LATEST PART INFORMATION**

**Part Number:** [0878344419](#)  
**Status:** **Active**  
**Overview:** [cgrid\\_sl\\_products](#)  
**Description:** 2.54mm (.100") Pitch C-Grid® Header, Dual Row, Low Profile, Vertical, Shrouded, 44 Circuits, 0.13µm (5µ") Gold (Au) Plating, Black, without PCB Locator, without End Window, Center Polarization Slot, Lead-free

**Documents:**

[3D Model](#) [Product Specification PS-70246-100 \(PDF\)](#)  
[Drawing \(PDF\)](#) [RoHS Certificate of Compliance \(PDF\)](#)

**General**

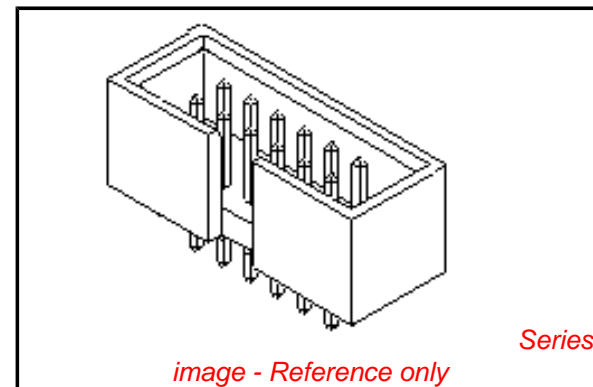
Product Family	PCB Headers
Series	<a href="#">87834</a>
Application	Wire-to-Board
Overview	<a href="#">cgrid_sl_products</a>
Product Name	C-Grid®

**Physical**

Breakaway	No
Circuits (Loaded)	44
Circuits (maximum)	44
Color - Resin	Black
First Mate / Last Break	No
Glow-Wire Compliant	No
Guide to Mating Part	No
Keying to Mating Part	None
Lock to Mating Part	None
Material - Plating Mating	Gold
Material - Plating Termination	Tin
Material - Resin	Polyester
Number of Rows	2
Orientation	Vertical
PC Tail Length (in)	0.135 In
PC Tail Length (mm)	3.43 mm
PCB Locator	No
PCB Retention	None
Packaging Type	Tray
Pitch - Mating Interface (in)	0.100 In
Pitch - Mating Interface (mm)	2.54 mm
Pitch - Term. Interface (in)	0.100 In
Pitch - Term. Interface (mm)	2.54 mm
Plating min: Mating (µin)	5.2
Plating min: Mating (µm)	0.13
Plating min: Termination (µin)	75.2
Plating min: Termination (µm)	1.88
Polarized to Mating Part	Center Slot
Polarized to PCB	Yes
Shrouded	Fully
Stackable	No
Temperature Range - Operating	-55°C to +120°C
Termination Interface: Style	Through Hole

**Electrical**

Current - Maximum per Contact	2.5A
Voltage - Maximum	250V DC



**EU RoHS**

**ELV and RoHS Compliant**  
**REACH SVHC Contains SVHC: No**  
**Halogen-Free Status**

**China RoHS**



**Not Reviewed**

**Need more information on product environmental compliance?**

Email [productcompliance@molex.com](mailto:productcompliance@molex.com)  
 For a multiple part number RoHS Certificate of Compliance, [click here](#)

Please visit the [Contact Us](#) section for any non-product compliance questions.

**Search Parts in this Series**

[87834Series](#)

**Mates With**

.050" pitch ribbon cable connectors

**Material Info**

**Reference - Drawing Numbers**

Packaging Specification  
Product Specification  
Sales Drawing

PK-87835-001  
PS-70246-100  
SD-87834-025

This document was generated on 05/25/2010

**PLEASE CHECK [WWW.MOLEX.COM](http://WWW.MOLEX.COM) FOR LATEST PART INFORMATION**

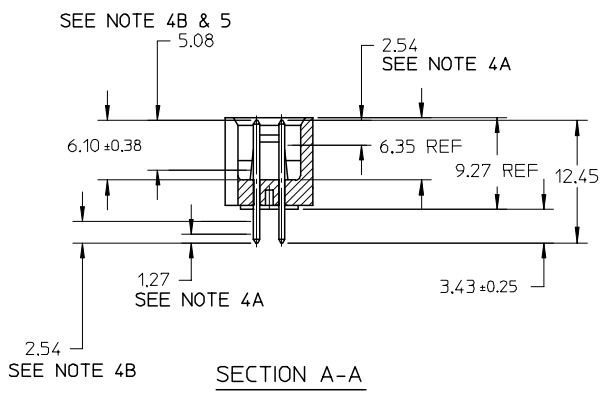
ASSEMBLY P/N	CKT SIZE	DIM A	DIM B	DIM C
87834-0419	04	2.54	12.70	10.16
87834-0619	06	5.08	15.24	12.70
87834-0819	08	7.62	17.78	15.24
87834-1019	10	10.16	20.32	17.78
87834-1219	12	12.70	22.86	20.32
87834-1419	14	15.24	25.40	22.86
87834-1619	16	17.78	27.94	25.40
87834-2019	20	22.86	33.02	30.48
87834-2419	24	27.94	38.10	35.56
87834-2619	26	30.48	40.64	38.10
87834-3019	30	35.56	45.72	43.18
87834-3419	34	40.64	50.80	48.26
87834-4019	40	48.26	58.42	55.88
87834-4419	44	53.34	63.50	60.96
87834-5019	50	60.96	71.12	68.58
87834-5619	56	68.58	78.74	76.20
87834-6019	60	73.66	83.82	81.28
87834-6419	64	78.74	88.90	86.36
87834-7219	72	88.90	99.06	96.52

**PART NUMBER LEGEND**

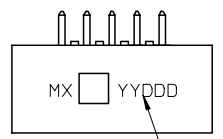
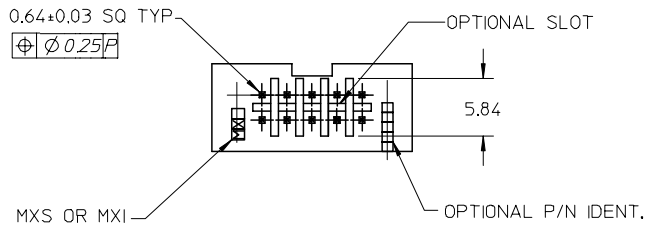
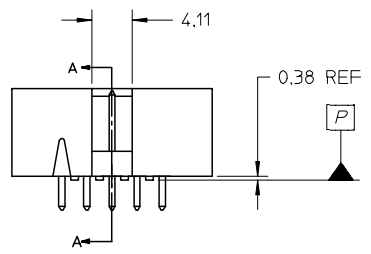
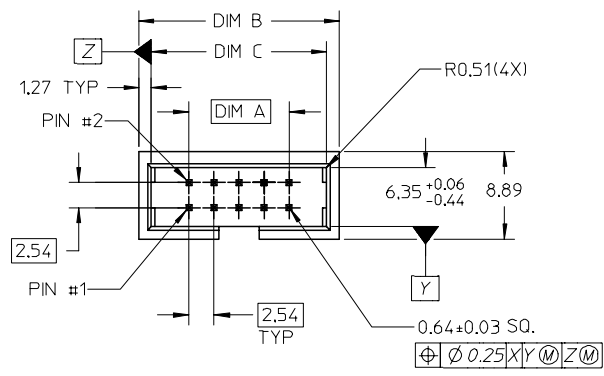
87834 - \* \* \* 1 9  
 CKT SIZES

**NOTES :**

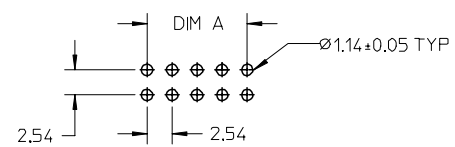
- MATERIAL :  
 HOUSING : POLYESTER (PBT), UL94V-0, COLOR: BLACK,  
 PIN : COPPER ALLOY.
- PIN PUSHOUT FORCE 0.91 KG MIN.
- PRODUCT SPECIFICATION PS-70246-100 APPLIES.
- WAFER TO BE FLAT WITHIN 0.03MM/CM
- DIMENSIONS FOR PLATING LOCATIONS : A - MEASURE POINT FOR THICKNESS.  
 B - MINIMUM COVERAGE.
- GOLD END OF PIN UNLESS OVERALL PLATED.
- FINISH :  
 0.13um MIN. GOLD IN CONTACT AREA,  
 AND 1.9um MIN. TIN IN SOLDER AREA,  
 BOTH OVER 1.27um MIN. NICKEL OVERALL.
- FOR ILLUSTRATION PURPOSE A 10 CKT IS SHOWN.
- OPTIONAL LOCATION FOR MANUFACTURER/YEAR/DAY MARKING IF REQUIRED BY CUSTOMER



**SECTION A-A**



SEE NOTE 9



**RECOMMENDED PCB PATTERN**

HSG LASER MARKING  
 EC NO: S2005-0536  
 DRAWN: LQIAO 2005/01/26  
 CHKD: PTLIM 2005/01/26  
 APPR: SCLLO 2005/01/27

QUALITY SYMBOLS  
 ▽=0  
 ▽=0

GENERAL TOLERANCES (UNLESS SPECIFIED)	
	mm
4 PLACES	± 0.20
3 PLACES	± 0.25
2 PLACES	± 0.30
1 PLACE	± 0.40
ANGULAR ± 3°	

DIMENSION STYLE	
MM ONLY	INCH
DRAWN BY	DATE
RSHAN	2003/11/20
CHECKED BY	DATE
KCL ING	2003/12/05
APPROVED BY	DATE
SKTOH	2003/12/06
MATERIAL NO.	
SIZE	A3

SCALE	DESIGN UNITS	THIRD ANGLE PROJECTION
NTS	METRIC	☉
TITLE C-GRID, SHROUDED WAFER WINDOW, W/O END SLOTS & POLARIZATION PEGS		
MOLEX INCORPORATED		
DOCUMENT NO. SD-87834-025	SHEET NO. 1 OF 1	
DRAFT WHERE APPLICABLE MUST REMAIN WITHIN DIMENSIONS		
THIS DRAWING CONTAINS INFORMATION THAT IS PROPRIETARY TO MOLEX INCORPORATED AND SHOULD NOT BE USED WITHOUT WRITTEN PERMISSION		